



These drawings are instruments of service and are the property of Howard Perlman, AIA. Howard Perlman expressly reserves its common law copyright and other property rights to these plans. These plans are not to be reproduced, changed or copied in any form or manner whatsoever, nor are they to be assigned to any third party, without first obtaining the expressed written permission and consent of Howard Perlman, AIA. Written dimensions on these drawings shall have precedence over scaled dimensions.
© COPYRIGHT 2022, HOWARD PERLMAN, AIA

Rev	Date	By	Description

Skilled Nursing Facility
5456-5516 E. Main Street
Mesa, AZ 85205

Velda Rose Methodist Church
5540 E. Main Street
Mesa, AZ 85205

Project
Owner

Drawn/Checked By
LA

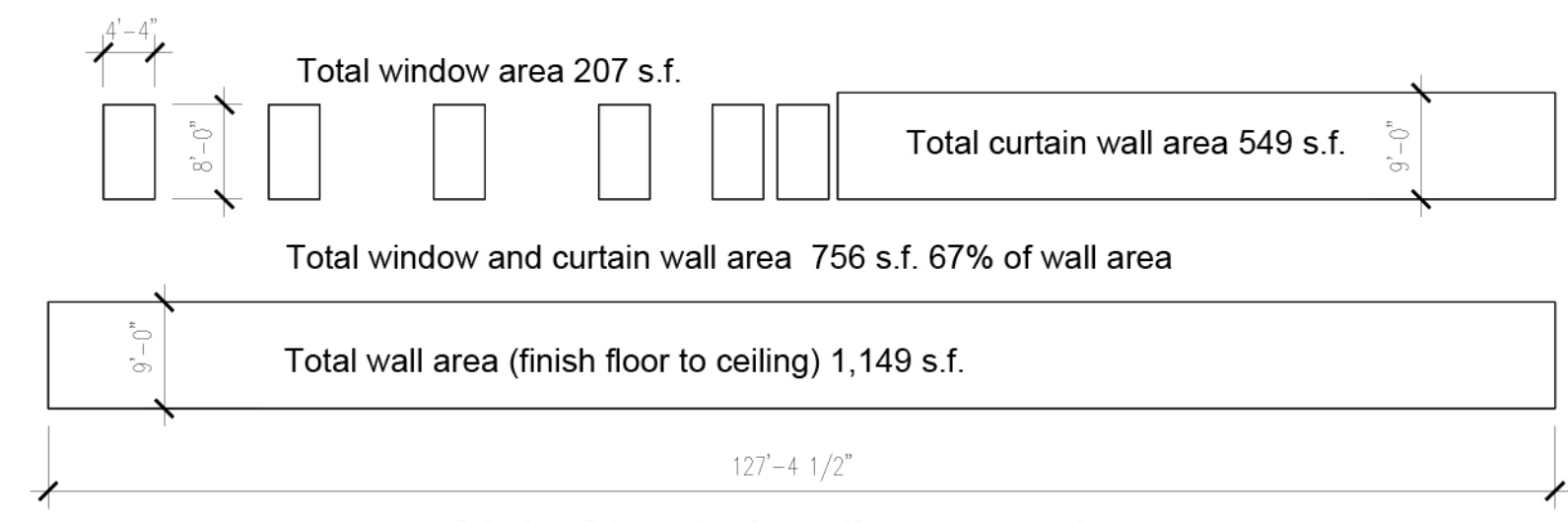
Date
10/16/2024

Project Number
324009

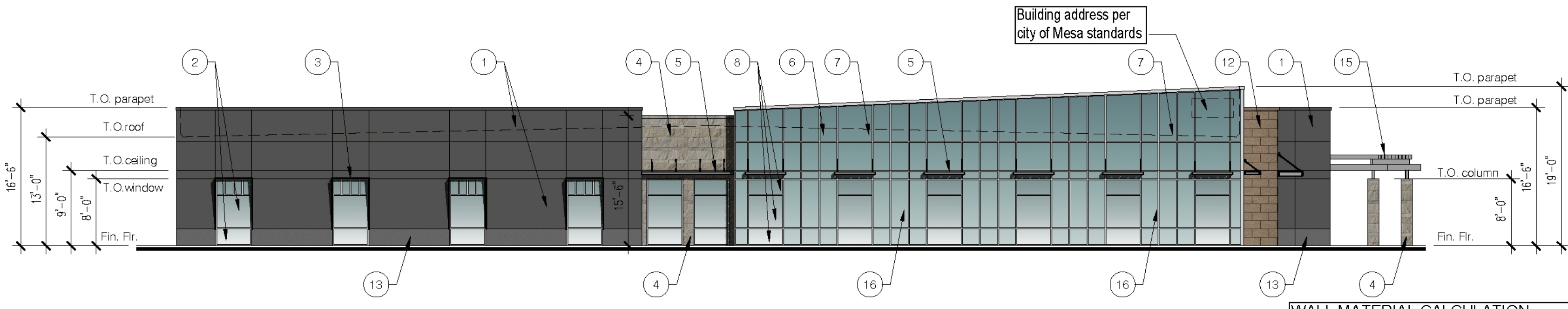
Sheet Number

EXTERIOR ELEVATIONS

A3.1



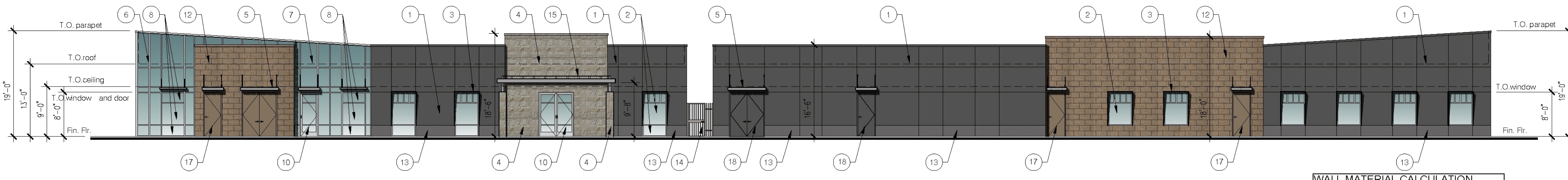
Main Street elevation ground floor transparency calculation



1 SOUTH EXTERIOR ELEVATION

SCALE: 3/32" = 1'-0"

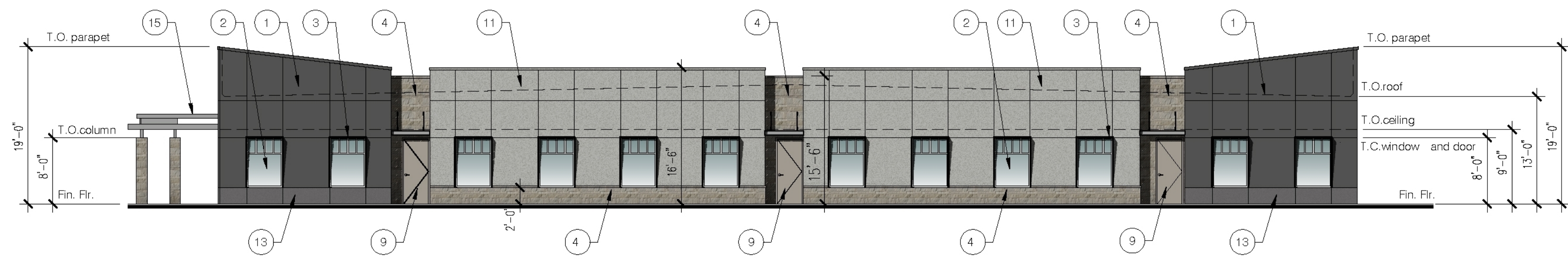
WALL MATERIAL CALCULATION
TOTAL WALL: 2,126 S.F.
ALUCOBOND: 759 S.F. (35.7%)
CURTAIN WALL: 851 S.F. (40%)
STONE: 102 S.F. (5%)
GLASS (WINDOWS): 414 S.F. (19.3%)



2 EAST EXTERIOR ELEVATION

SCALE: 3/32" = 1'-0"

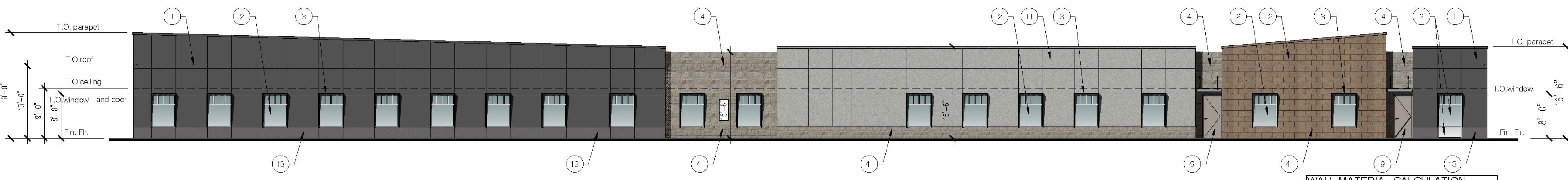
WALL MATERIAL CALCULATION
TOTAL WALL: 4,315 S.F.
ALUCOBOND: 2,012 S.F. (46.6%)
CERAMIC CLADDING: 821 S.F. (19.0%)
CURTAIN WALL: 356 S.F. (8.3%)
STONE: 293 S.F. (6.8%)
GLASS (WINDOWS): 625 S.F. (14.5%)
SOLID DOORS: 208 S.F. (4.8%)



3 NORTH EXTERIOR ELEVATION

SCALE: 3/32" = 1'-0"

WALL MATERIAL CALCULATION
TOTAL WALL: 2,242 S.F.
ALUCOBOND: 620 S.F. (27.6%)
EIFS: 918 S.F. (41%)
STONE: 311 S.F. (13.9%)
GLASS (WINDOWS): 312 S.F. (13.9%)
SOLID DOORS: 81 S.F. (3.6%)



1 WEST EXTERIOR ELEVATION

SCALE: 3/32" = 1'-0"

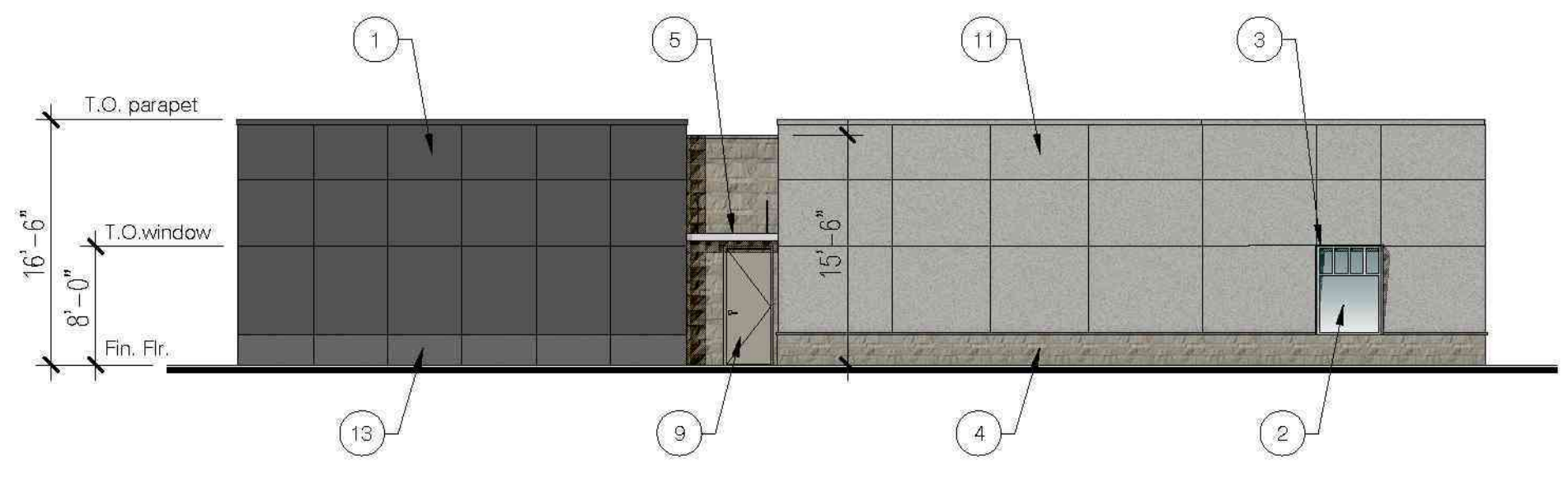
WALL MATERIAL CALCULATION
TOTAL WALL: 4,057 S.F.
ALUCOBOND: 1,609 S.F. (39.7%)
EIFS: 926 S.F. (22.8%)
CERAMIC CLADDING: 470 S.F. (11.6%)
STONE: 495 S.F. (12.2%)
GLASS (WINDOWS): 503 S.F. (12.4%)
SOLID DOORS: 54 S.F. (1.3%)



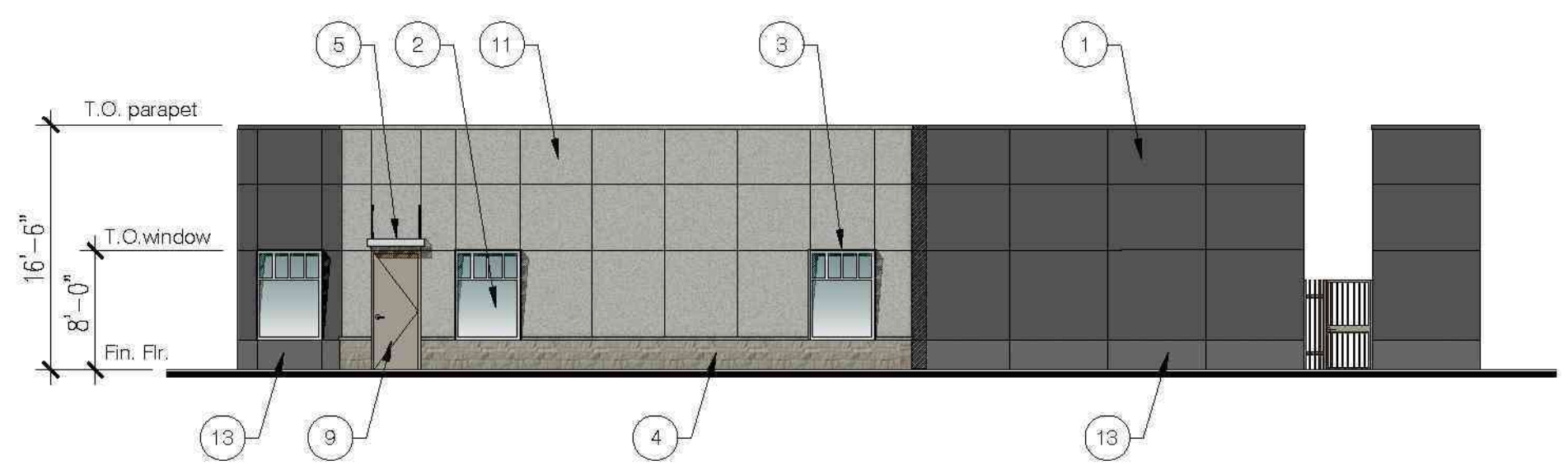
These drawings are instruments of service and are the property of Howard Perlman, AIA. Howard Perlman expressly reserves its common law copyright and other property rights to these plans. These plans are not to be reproduced, changed or copied in any form or manner whatsoever, nor are they to be assigned to any third party, without first obtaining the expressed written permission and consent of Howard Perlman, AIA. Written dimensions on these drawings shall have precedence over scaled dimensions.
©COPYRIGHT 2022, HOWARD PERLMAN, A.I.A.

Exterior Elevation keynotes

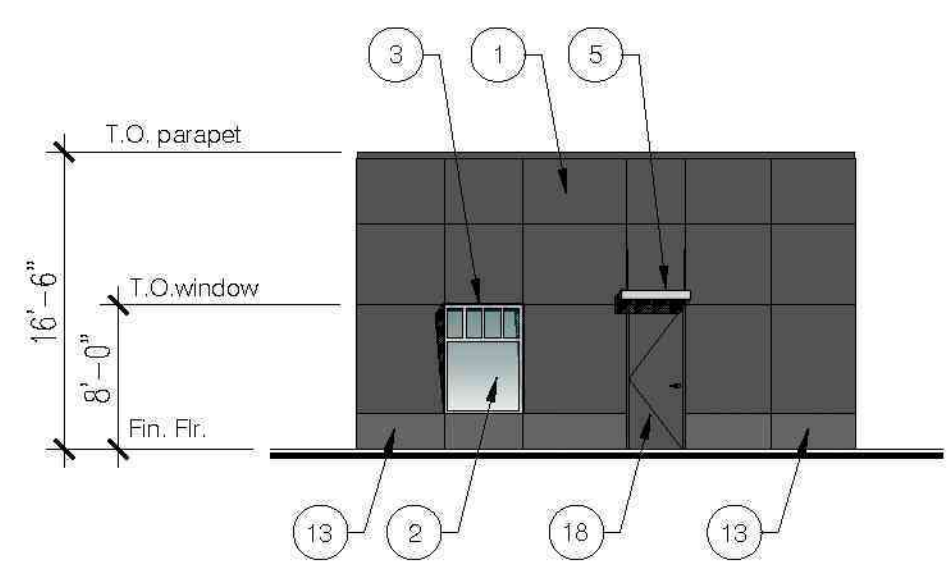
- 1 Aluminum Composite panels
Alucobond
Exterior route and return system
Color: Dusty Charcoal II
- 2 Aluminum Windows
Clear Fixed Vision Glass
Kawneer
Color: Clear anodized
- 3 Metal Plate Shade Assembly
Dunn Edwards
Color: So Chic # DET 614
- 4 Stone Veneer
Culture Stone
Hewn Stone
Color: Span
- 5 Metal Framed Canopy w/ suspended supports
Dunn Edwards
Color: So Chic # DET 614
- 6 Aluminum Curtain Wall
Kawneer
Trifab Verzaglaze 450
Color: Clear Anodized
- 7 Spandrel Glass (opaque)
At curtain wall above ceiling
Vitro Architectural Glass
Performance Tinted Glass
Color: Azuria
- 8 Clear Vision Glass
Vitro Architectural Glass
Solarban 60 low-E
Color: Clear
- 9 Exterior Door
Steel Clad Solid Core
Dunn Edwards
Color: Stieglitz Silver # DET 612
- 10 Exterior Front Door
Aluminum/Glass
Color: Clear Anodized
- 11 Exterior Insulating Finishing System (EIFS)
StoCorp.
Sto Therm ci GPS
Color: Gray 16281 26
- 12 Porcelain Exterior Wall Cladding
Cladding Corporation
Ceramic 5 porcelain Rainscreen
Size: 12" x 24"
Color: Ocean Gray NE 13
- 13 Aluminum Composite Panels
Alucobond
Exterior route and return system
Color: Steel City Silver Mica
- 14 Steel Fence and Gate
Painted steel
Dunn Edwards
Color: Stieglitz Silver # DET 612
- 15 Steel Entrance Canopy w/ perf. metal top
Painted steel
Dunn Edwards
Color: Stieglitz Silver # DET 612
- 16 Tinted Glass (see through)
At curtain wall below ceiling
Vitro Architectural Glass
Performance Tinted Glass
Color: Azuria
- 17 Exterior Door
Steel Clad Solid Core
Dunn Edwards
Color: Grange Hall # DET 695
- 18 Exterior Door
Steel Clad Solid Core
Dunn Edwards
Color: Sheet Metal # DET 6356



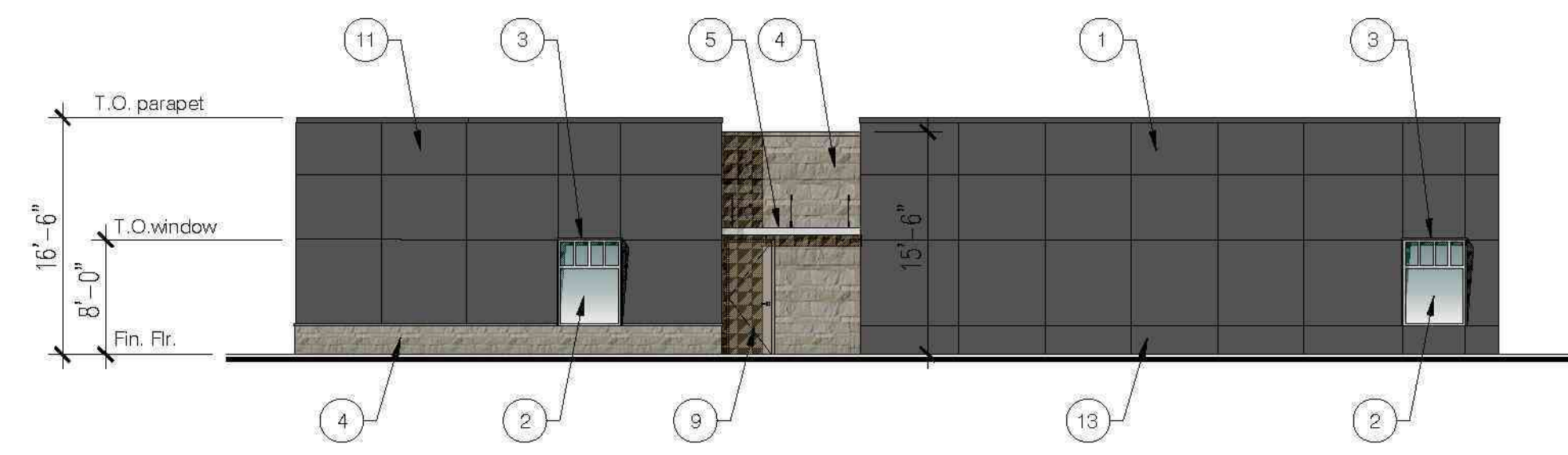
1 SOUTH EXTERIOR ELEVATION - COURTYARD
SCALE: 3/32" = 1'-0"
0' 4' 8' 16'



2 EAST EXTERIOR ELEVATION - COURTYARD
SCALE: 3/32" = 1'-0"
0' 4' 8' 16'



3 NORTH EXTERIOR ELEVATION - COURTYARD
SCALE: 3/32" = 1'-0"
0' 4' 8' 16'



1 WEST EXTERIOR ELEVATION - COURTYARD
SCALE: 3/32" = 1'-0"
0' 4' 8' 16'

Rev	Date	By	Description

Project: Skilled Nursing Facility
5456-5516 E. Main Street
Mesa, AZ 85205

Owner: Velda Rose Methodist Church
5540 E. Main Street
Mesa, AZ 85205

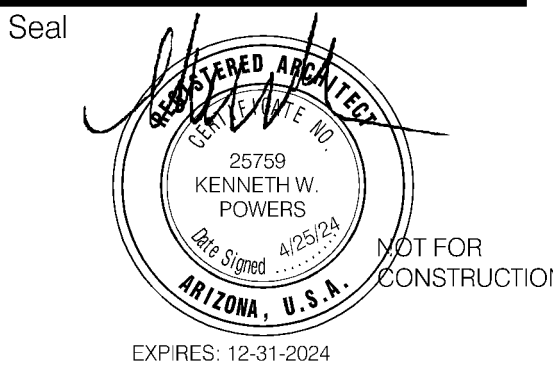
Drawn/Checked By: **LA**

Date: 10/16/2024

Project Number: **324009**

Sheet Number

EXTERIOR ELEVATIONS
A3.3



These drawings are instruments of service and are the property of Howard Perlman, AIA. Howard Perlman expressly reserves its common law copyright and other property rights to these plans. These plans are not to be reproduced, changed or copied in any form or manner whatsoever, nor are they to be assigned to any third party, without first obtaining the expressed written permission and consent of Howard Perlman, AIA. Written dimensions on these drawings shall have precedence over scaled dimensions.
© COPYRIGHT 2022, HOWARD PERLMAN, AIA.

Rev	Date	By	Description

Skilled Nursing Facility
5456-5516 E. Main Street
Mesa, AZ 85205

Velda Rose Methodist Church
5540 E. Main Street
Mesa, AZ 85205

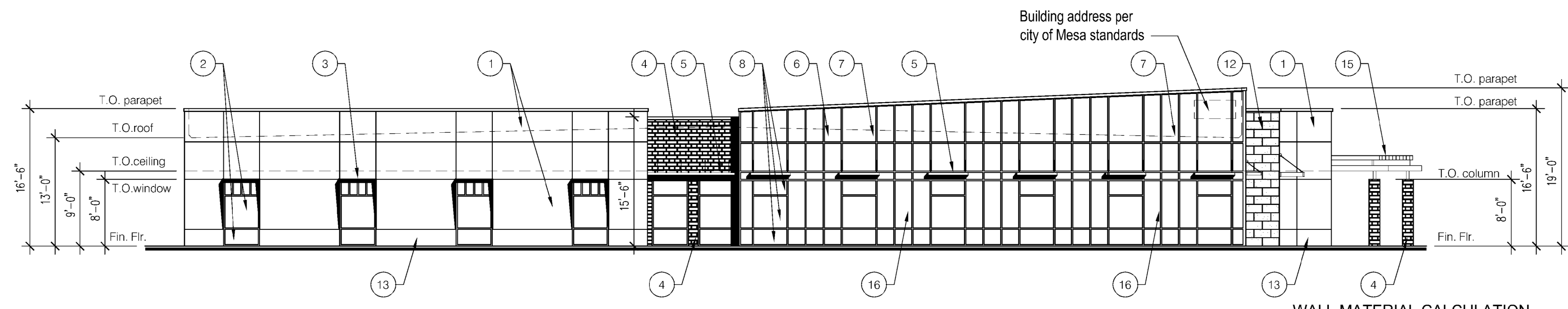
Project: **Skilled Nursing Facility**
Owner: **Velda Rose Methodist Church**

Drawn/Checked By: **LA**

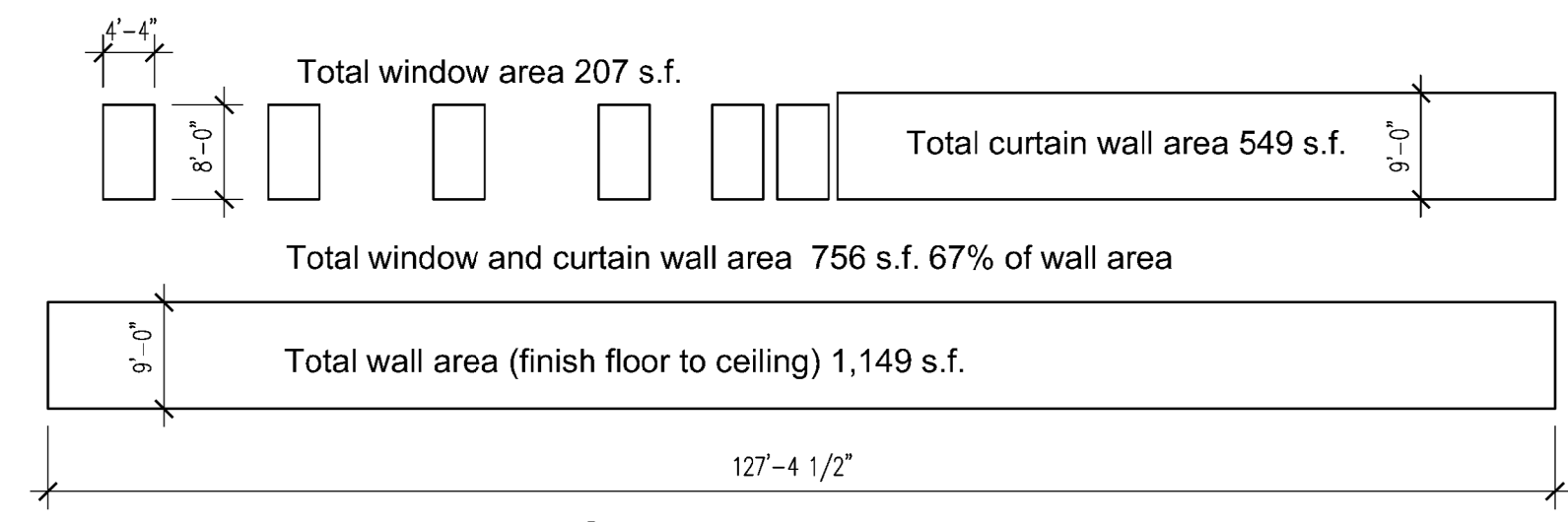
Date: **10/16/2024**

Project Number: **324009**

Sheet Number: **EXTERIOR ELEVATIONS**

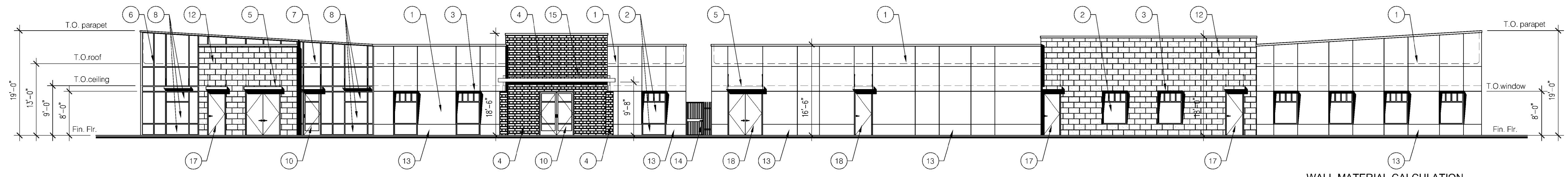


1 SOUTH EXTERIOR ELEVATION
SCALE: 3/32" = 1'-0"



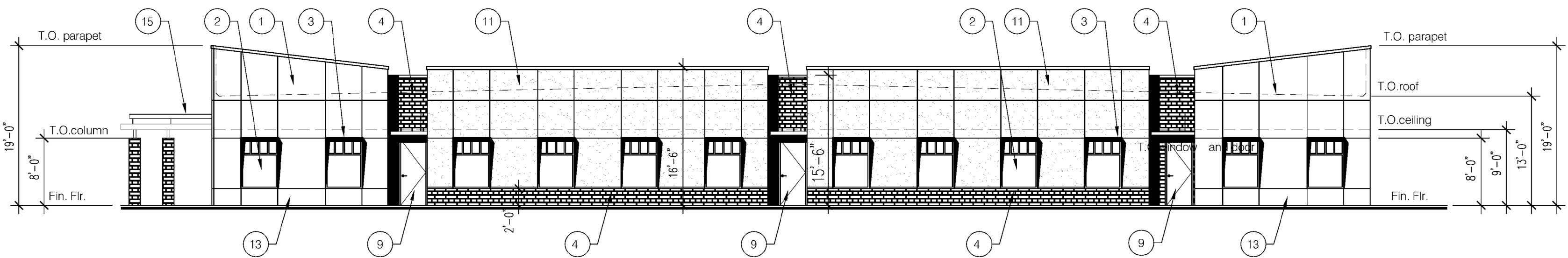
Main Street elevation ground floor transparency calculation

WALL MATERIAL CALCULATION
TOTAL WALL: 2,126 S.F.
ALUCOBOND: 759 S.F. (35.7%)
CURTAIN WALL: 851 S.F. (40%)
STONE: 102 S.F. (5%)
GLASS (WINDOWS): 414 S.F. (19.3%)



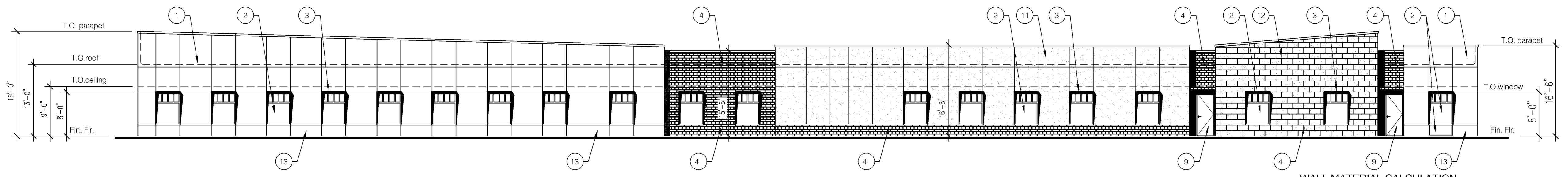
2 EAST EXTERIOR ELEVATION
SCALE: 3/32" = 1'-0"

WALL MATERIAL CALCULATION
TOTAL WALL: 4,315 S.F.
ALUCOBOND: 2,012 S.F. (46.6%)
CERAMIC CLADDING: 821 S.F. (19.0%)
CURTAIN WALL: 356 S.F. (8.3%)
STONE: 293 S.F. (6.8%)
GLASS (WINDOWS): 625 S.F. (14.5%)
SOLID DOORS: 208 S.F. (4.8%)



3 NORTH EXTERIOR ELEVATION
SCALE: 3/32" = 1'-0"

WALL MATERIAL CALCULATION
TOTAL WALL: 2,242 S.F.
ALUCOBOND: 620 S.F. (27.6%)
EIFS: 918 S.F. (41%)
STONE: 311 S.F. (13.9%)
GLASS (WINDOWS): 312 S.F. (13.9%)
SOLID DOORS: 81 S.F. (3.6%)

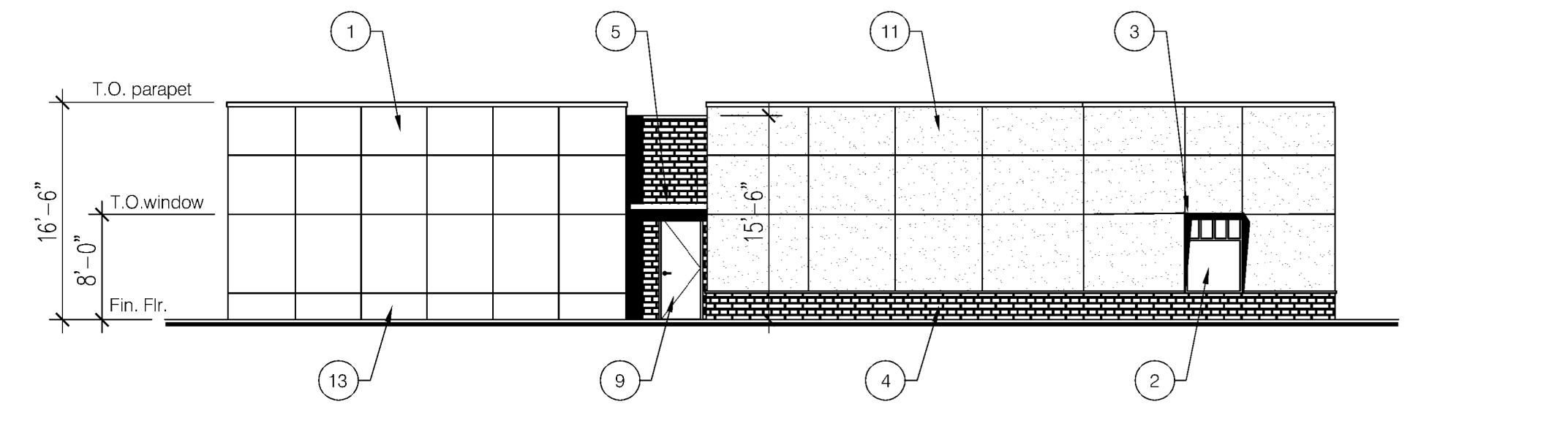


1 WEST EXTERIOR ELEVATION
SCALE: 3/32" = 1'-0"

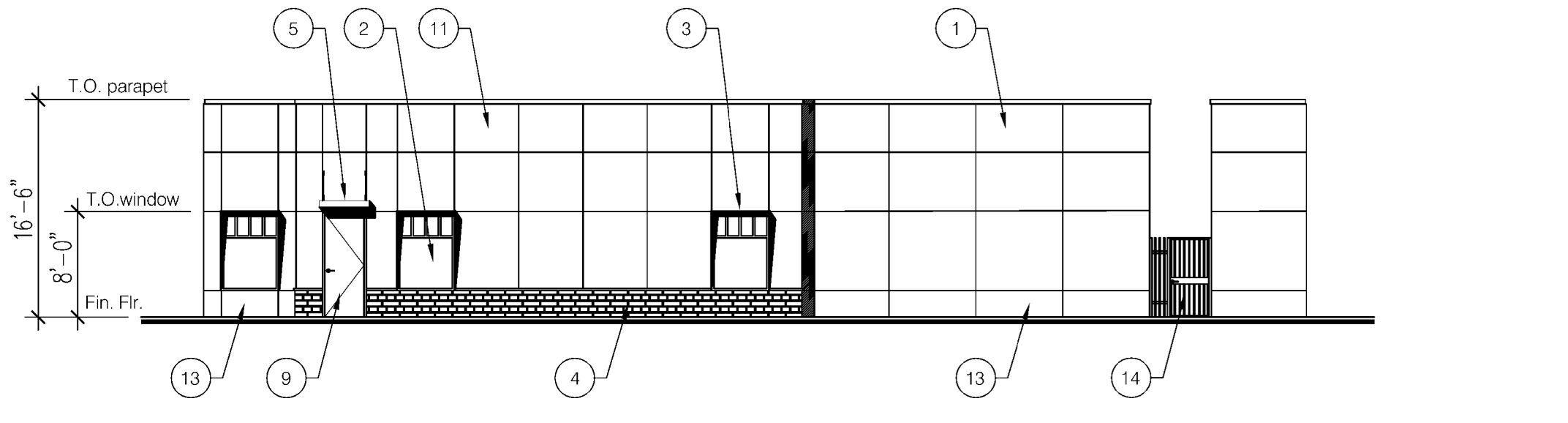
WALL MATERIAL CALCULATION
TOTAL WALL: 4,057 S.F.
ALUCOBOND: 1,609 S.F. (39.7%)
EIFS: 926 S.F. (22.8%)
CERAMIC CLADDING: 470 S.F. (11.6%)
STONE: 495 S.F. (12.2%)
GLASS (WINDOWS): 503 S.F. (12.4%)
SOLID DOORS: 54 S.F. (1.3%)

Exterior Elevation keynotes

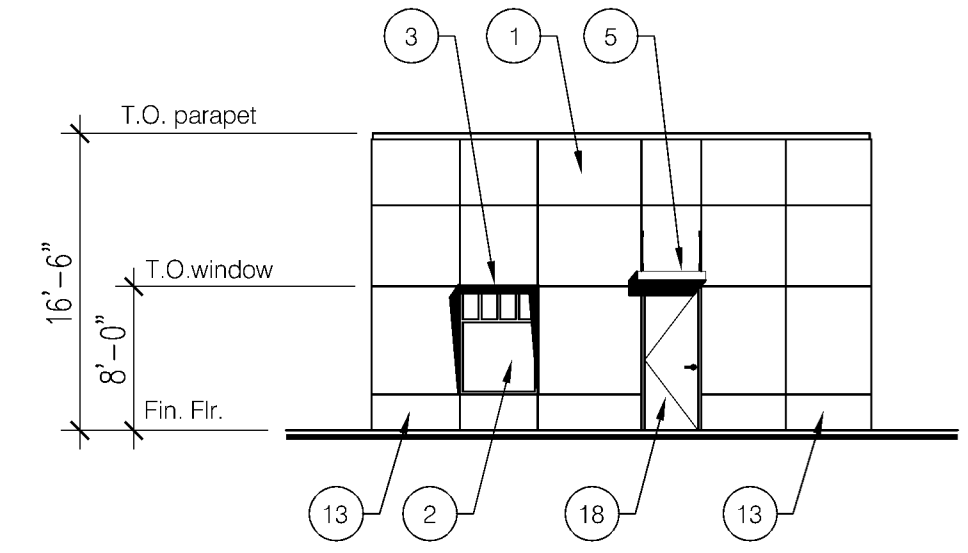
- 1 Aluminum Composite panels
Alucobond
Exterior route and return system
Color: Dusty Charcoal II
- 2 Aluminum Windows
Clear Fixed Vision Glass
Kawneer
Color: Clear anodized
- 3 Metal Plate Shade Assembly
Dunn Edwards
Color: So Chic # DET 614
- 4 Stone Veneer
Culture Stone
Hewn Stone
Color: Span
- 5 Metal Framed Canopy w/ suspended supports
Dunn Edwards
Color: So Chic # DET 614
- 6 Aluminum Curtain Wall
Kawneer
Trifab Verzaglaze 450
Color: Clear Anodized
- 7 Spandrel Glass (opaque)
At curtain wall above ceiling
Vitro Architectural Glass
Performance Tinted Glass
Color: Azuria
- 8 Clear Vision Glass
Vitro Architectural Glass
Solarban 60 low-E
Color: Clear
- 9 Exterior Door
Steel Clad Solid Core
Dunn Edwards
Color: Stieglitz Silver # DET 612
- 10 Exterior Front Door
Aluminum/Glass
Color: Clear Anodized
- 11 Exterior Insulating Finishing System (EIFS)
StoCorp.
Sto Therm ci GPS
Color: Gray 16281 26
- 12 Porcelain Exterior Wall Cladding
Cladding Corporation
Ceramic 5 porcelain Rainscreen
Size: 12" x 24"
Color: Ocean Gray NE 13
- 13 Aluminum Composite Panels
Alucobond
Exterior route and return system
Color: Steel City Silver Mica
- 14 Steel Fence and Gate
Painted steel
Dunn Edwards
Color: Stieglitz Silver # DET 612
- 15 Steel Entrance Canopy w/ perf. metal top
Painted steel
Dunn Edwards
Color: Stieglitz Silver # DET 612
- 16 Tinted Glass (see through)
At curtain wall below ceiling
Vitro Architectural Glass
Performance Tinted Glass
Color: Azuria
- 17 Exterior Door
Steel Clad Solid Core
Dunn Edwards
Color: Grange Hall # DET 695
- 18 Exterior Door
Steel Clad Solid Core
Dunn Edwards
Color: Sheet Metal # DET 6356



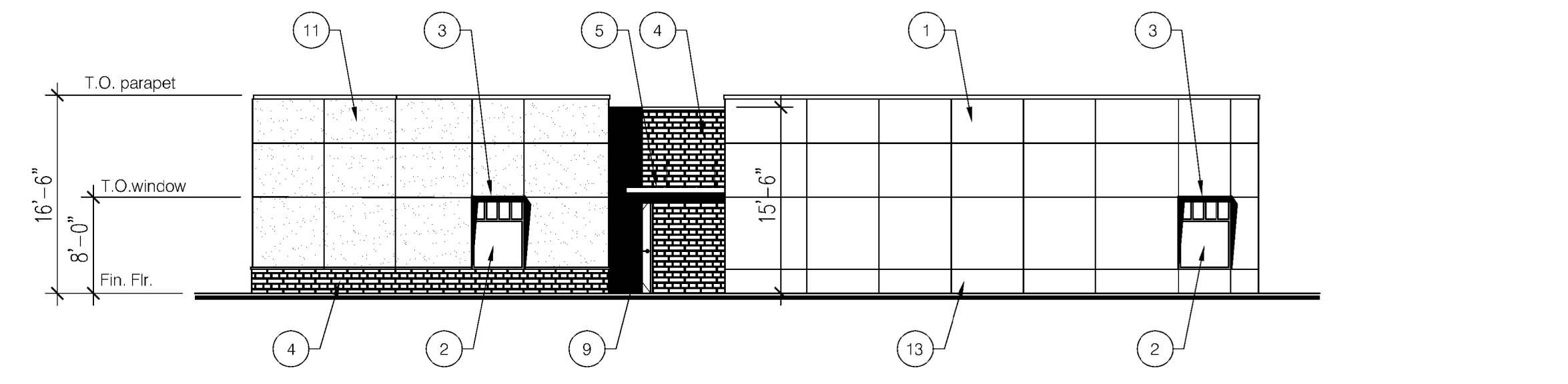
1 SOUTH EXTERIOR ELEVATION - COURTYARD
SCALE: 3/32" = 1'-0"
0' 4' 8' 16'



2 EAST EXTERIOR ELEVATION - COURTYARD
SCALE: 3/32" = 1'-0"
0' 4' 8' 16'



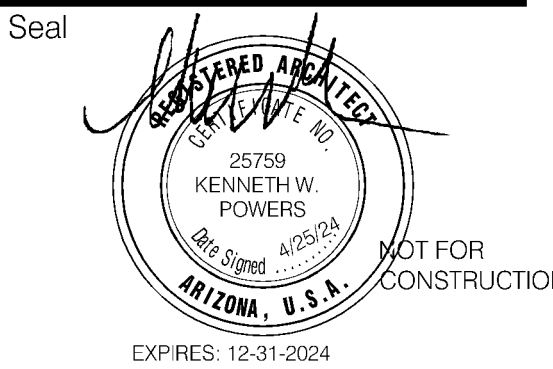
3 NORTH EXTERIOR ELEVATION - COURTYARD
SCALE: 3/32" = 1'-0"
0' 4' 8' 16'



1 WEST EXTERIOR ELEVATION - COURTYARD
SCALE: 3/32" = 1'-0"
0' 4' 8' 16'

Exterior Elevation keynotes

- 1 Aluminum Composite panels
Alucobond
Exterior route and return system
Color: Dusty Charcoal II
- 2 Aluminum Windows
Clear Fixed Vision Glass
Kawneer
Color: Clear anodized
- 3 Metal Plate Shade Assembly
Dunn Edwards
Color: So Chic # DET 614
- 4 Stone Veneer
Culture Stone
Hewn Stone
Color: Span
- 5 Metal Framed Canopy w/ suspended supports
Dunn Edwards
Color: So Chic # DET 614
- 6 Aluminum Curtain Wall
Kawneer
Trifab Verzaglaze 450
Color: Clear Anodized
- 7 Spandrel Glass (opaque)
At curtain wall above ceiling
Vitro Architectural Glass
Performance Tinted Glass
Color: Azuria
- 8 Clear Vision Glass
Vitro Architectural Glass
Solarban 60 low-E
Color: Clear
- 9 Exterior Door
Steel Clad Solid Core
Dunn Edwards
Color: Stieglitz Silver # DET 612
- 10 Exterior Front Door
Aluminum/Glass
Color: Clear Anodized
- 11 Exterior Insulating Finishing System (EIFS)
StoCorp.
Sto Therm ci GPS
Color: Gray 16281 26
- 12 Porcelain Exterior Wall Cladding
Cladding Corporation
Ceramic 5 porcelain Rainscreen
Size: 12" x 24"
Color: Ocean Gray NE 13
- 13 Aluminum Composite Panels
Alucobond
Exterior route and return system
Color: Steel City Silver Mica
- 14 Steel Fence and Gate
Painted steel
Dunn Edwards
Color: Stieglitz Silver # DET 612
- 15 Steel Entrance Canopy w/ perf. metal top
Painted steel
Dunn Edwards
Color: Stieglitz Silver # DET 612
- 16 Tinted Glass (see through)
At curtain wall below ceiling
Vitro Architectural Glass
Performance Tinted Glass
Color: Azuria
- 17 Exterior Door
Steel Clad Solid Core
Dunn Edwards
Color: Grange Hall # DET 695
- 18 Exterior Door
Steel Clad Solid Core
Dunn Edwards
Color: Sheet Metal # DET 6356



These drawings are instruments of service and are the property of Howard Perlman, AIA. Howard Perlman expressly reserves its common law copyright and other property rights to these plans. These plans are not to be reproduced, changed or copied in any form or manner whatsoever, nor are they to be assigned to any third party, without first obtaining the expressed written permission and consent of Howard Perlman, AIA. Written dimensions on these drawings shall have precedence over scaled dimensions.
© COPYRIGHT 2022, HOWARD PERLMAN, AIA.

Rev	Date	By	Description

Skilled Nursing Facility
5456-5516 E. Main Street
Mesa, AZ 85205

Velda Rose Methodist Church
5540 E. Main Street
Mesa, AZ 85205

Project
Owner

Drawn/Checked By
LA

Date
10/16/2024

Project Number
324009

Sheet Number

COURTYARD EXTERIOR ELEVATIONS

A3.2