

Project Information:
Project Name: BDMC ED Lobby Remodel and Expansion
Project Address: 1400 S DOBSON ROAD, MESA, AZ 85202

PRELIMINARY
NOT FOR CONSTRUCTION

Revisions		
No.	Date	Description

Project Information			
Phase:	DD	Date:	08/18/2023
Project No.:	23-0043	PIC / A/C:	MT/TL
BDMC ED EXPANSION			

Sheet Title
Electrical Photometrics Plan

Sheet Number _____ **Current Revision** _____

E101

1 Lighting Plan - Site Photometric
 1/8" = 1'-0"

TAG	DESCRIPTION	MANUFACTURER	MODEL NO.	LAMP		DRIVER		MOUNTING	REMARKS
				TYPE	TYPE	WATTS	VOLTAGE		
A2	2X2' CENTER BASKET LED TROFFER, 3,300 DELIVERED LUMENS, 3500K, MINIMUM 80CRI, 0-10V DIMMING DOWN TO 10%, MVOLT, PRE-WIRED WHIP, DAMPLLOCATION LISTED.	COLUMBIA LITHONIA DAY-BRITE	LCA722-835-ML-X-ED-U BLT SERIES EVOGRID SERIES	LED	INTEGRAL	29 W	277 V	RECESSED	1,2
A2H	2X2' CENTER BASKET LED TROFFER, 4,000 DELIVERED LUMENS, 3500K, MINIMUM 80CRI, 0-10V DIMMING DOWN TO 1%, MVOLT, PRE-WIRED WHIP, DAMPLLOCATION LISTED.	COLUMBIA LITHONIA DAY-BRITE	LCA722-935-HL-X-ED1-U BLT SERIES EVOGRID SERIES	LED	INTEGRAL	32 W	277 V	RECESSED	1,2
A4	2X4' CENTER BASKET LED TROFFER, 4,800 DELIVERED LUMENS, 3500K, MINIMUM 80CRI, 0-10V DIMMING DOWN TO 1%, MVOLT, PRE-WIRED WHIP, DAMPLLOCATION LISTED.	COLUMBIA LITHONIA DAY-BRITE	LCA724-835-ML-X-ED1-U BLT SERIES EVOGRID SERIES	LED	INTEGRAL	39 W	277 V	RECESSED	1,2
A4H	2X4' CENTER BASKET LED TROFFER, 6,000 DELIVERED LUMENS, 3500K, MINIMUM 80CRI, 0-10V DIMMING DOWN TO 10%, MVOLT, PRE-WIRED WHIP, DAMPLLOCATION LISTED.	COLUMBIA LITHONIA DAY-BRITE	LCA724-935-HL-X-ED-U BLT SERIES EVOGRID SERIES	LED	INTEGRAL	44 W	277 V	RECESSED	1,2
C1	COVE UPLIGHT FIXTURE.			LED	INTEGRAL	1 W	277 V	SURFACE	
D1	8' EXTERIOR ROUND DOWNLIGHT, 2000 DELIVERED LUMENS, 3000K, 0-10V DIMMING, WIDE DISTRIBUTION, SEMI-SPECULAR FINISH, WET LOCATION LISTED.	ACUITY	EV08-30-20-AR-WD-LSS	LED	INTEGRAL	50 W	277 V	RECESSED	
H6	6' LED DOWNLIGHT, 1,500 DELIVERED LUMENS, 3500K, MINIMUM 80 CRI, 0-10V DIMMING, MEDIUM-WIDE DISTRIBUTION, SEMI-SPECULAR FINISH, DAMP LOCATION LISTED.	PRESCOLITE GOTHAM	LTR-6RD-H-SL15L-DM1-LTR-6RD-T-SL35K-MD-WC EVO 6 SERIES	LED	INTEGRAL	15 W	277 V	RECESSED	1,2
H8	4" WIDE 4' LONG LED RECESSED LINEAR LED 400 DELIVERED LUMENS PER FOOT, 3500K, MINIMUM 80CRI, 0-10V DIMMING TO 10%	FINELITE	HP-4-R-D-X-S-835-F-96LG-277-SC-FC-10%	LED	INTEGRAL	4 W	277 V	RECESSED	1,2,3
J2	2X2' FLAT PANEL LED, 3,300 DELIVERED LUMENS, 3500K, MINIMUM 80CRI, 0-10V DIMMING DOWN TO 10%, MVOLT, PRE-WIRED WHIP, DAMPLLOCATION LISTED.	COLUMBIA LITHONIA DAY-BRITE	CFP22-40/33/2835 CPANL-2X2-24/33/44LM-35K-M4 2SBP3040L8CS-2-UNV-DIM	LED	INTEGRAL	30 W	277 V	RECESSED	1,2
J4	2X4' FLAT PANEL LED, 4,100 DELIVERED LUMENS, 3500K, MINIMUM 80CRI, 0-10V DIMMING DOWN TO 10%, MVOLT, PRE-WIRED WHIP, DAMP LOCATION LISTED.	COLUMBIA LITHONIA DAY-BRITE	CFP24-55/41/3435 CPANL-2X4-40/50/60LM-35K-M2 2SBP3550L8CS-4-UNV-DIM	LED	INTEGRAL	32 W	277 V	RECESSED	1,2
PL1	4" WIDE PENDANT LINEAR LED	BETACALCO ARNICA	BLOCK SERIES MAX LIFT SERIES	LED	INTEGRAL	4 W	277 V	PENDANT	
RR1	36" DIAMETER PENDANT RING LED FIXTURE.	ARNICA LUMENWERX	MJ CIRCLE SERIES BALL SERIES POPCOLOR SERIES	LED	REMOTE	54 W	277 V	PENDANT	
RR2	48" DIAMETER PENDANT RING LED FIXTURE.	ARNICA LUMENWERX	MJ COLOR SERIES BALL SERIES POPCOLOR SERIES	LED	REMOTE	75 W	277 V	PENDANT	
SL1	4" WIDE SURFACE-MOUNTED LINEAR LED	BETACALCO ARNICA	BLOCK SERIES MAX LIFT	LED	INTEGRAL	4 W	277 V	SURFACE	
SL2	4" WIDE SURFACE-MOUNTED LINEAR LED	BETACALCO ARNICA	BLOCK SERIES MAX LIFT	LED	INTEGRAL	4 W	277 V	SURFACE	
W1	TYPE II MEDIUM, WALL-MOUNTED, BLACK, SURFACE LIGHT, 3000K, 277V	LITHONIA	DSXW1-LED-10C-350-30K-T2M-MVOLT	LED	INTEGRAL	11 W	277 V	SURFACE	2
X1	LED EXIT SIGN	ISOLITE	ELT-AC-G-1M2M-BA-RC-UC	LED	INTEGRAL	5 W	277 V	SURFACE	

- LIGHT FIXTURE NOTES:
1. COORDINATE LOCATION OF LIGHT FIXTURE WITH ARCHITECTURAL REFLECTED CEILING PLAN.
2. LIGHT FIXTURE DESCRIPTION AND CATALOG NUMBER TO SET THE MINIMUM LEVEL OF QUALITY. MATCH FIXTURE BASED ON DESCRIPTION AND CATALOG NUMBER FOR OTHER MANUFACTURERS.
3. COORDINATE LENGTH OF LINEAR FIXTURES WITH ARCHITECTURAL REFLECTED CEILING PLAN PRIOR TO ORDERING.
4. COORDINATE CHEVRON DIRECTION WITH ARCHITECTURAL LIFE SAFETY PLAN PRIOR TO ORDERING.

5001 East Washington Street | Phoenix | AZ 85034
cunningham.com



Project Information:
Project Name:
BDMC ED Lobby Remodel and Expansion
Project Address:
1400 S DOBSON ROAD, MESA, AZ 85202

**PRELIMINARY
NOT FOR CONSTRUCTION**

Revisions		
No.	Date	Description

Project Information			
Phase:	DD	Date:	08/18/2023
Project No.:	23-0043	PIC /A/C:	MT/TL
BDMC ED EXPANSION			

Sheet Title
Electrical Schedules

Sheet Number _____ **Current Revision** _____

E901

Job Name:

BANNER DESERT MEDICAL CENTER - WOMENS
TOWER VERTICAL EXPANSION
Engineer: AFFILIATED ENGINEERS (Phoenix)

Catalog Number:

15"X4" SSS POLE WITH TENON GREY IN COLOR
LUM-LED-PT?/PLED-V-SQ-W/80LED-525MA/NW/
(120, 208, 240, 277)/GREY

Notes:

Type:

AZ20-77201

OPTION 1

SOLID STATE AREA LIGHTING

LUM SERIES-PLED PT

S P E C I F I C A T I O N S

HOUSING

Heavy cast low copper aluminum assembly (A360 alloy, <0.4% copper). All exposed hardware is stainless steel. Internal protected hardware is electro-zinc plated.

POST TOP MOUNTING

Four (4) 1" Square extruded aluminum arms welded to a cast aluminum pole top fitter. Arm assembly is mechanically attached to twin castings welded to either side of the housing.

PLED™ OPTICS

Emitters (LED's) are arrayed on a metal core PCB panel with each emitter located on a copper thermal transfer pad and enclosed by an LED refractor. LED optics completely seal each individual emitter to meet an IP66 rating. In asymmetric distributions, a micro-reflector inside the refractor re-directs the house side emitter output towards the street side and functions as a house side shielding element. Refractors are injection molded HT2 acrylic. Each LED refractor is sealed to the PCB over an emitter and all refractors are retained by an aluminum frame. Any one Panel, or group of Panels in a luminaire, have the same optical pattern. LED refractors produce standard site/area distributions. Panels are field replaceable and field rotatable in 90° increments.

LED DRIVERS

Constant current electronic with a power factor of >.90 and a minimum operating temperature of -40°F/-40°C. Driver(s) is/are UL and cUL recognized and mounted directly against the Electrical Housing to facilitate thermal transfer, held down by universal clamps to facilitate easy removal. In-line terminal blocks facilitate wiring between the driver and optical arrays. Drivers accept an input of 120-277V, 50/60Hz or 347V-480V, 50,60Hz. (0 - 10V dimmable driver is standard. Driver has a minimum of 3KV internal surge protection. Luminaire supplied with 20KV surge protector for field accessible installation.)

FINISH

Electrostatically applied TGIC Polyester Powder Coat on substrate prepared with 20 PSI power wash at 140°F. Four step sand blast and iron phosphate pretreatment for protection and paint adhesion. 400°F bake for maximum hardness and durability. Texture finish is standard.

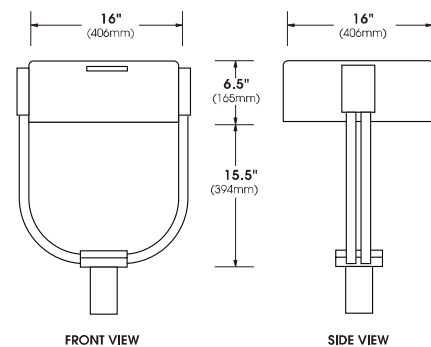
PROJECT NAME: _____

FIXTURE TYPE: _____



LUM PLED PT

PATENT PENDING



2019219

U.S. Architectural Lighting

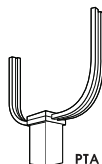
660 West Avenue O, Palmdale, CA 93551
Phone (661) 233-2000 Fax (661) 233-2001
www.usalighting.com



LUM SERIES - PLED PT

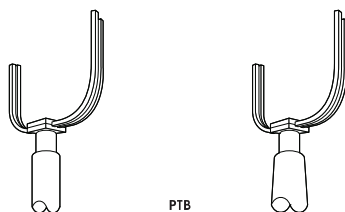
SPECIFICATIONS

MOUNTING STYLES



STANDARD TENON ASSEMBLY FOR 4" AND 5" SQUARE POLES.

DECORATIVE RING SUPPLIED FOR 6" SQUARE POLES. (SPECIFY POLE I.D.)

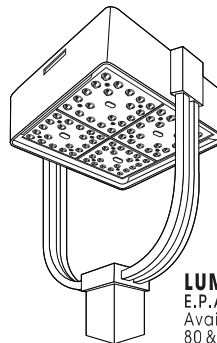


TENON ASSEMBLY FOR TAPERED OR ROUND POLES. TENON ASSEMBLY IS ALSO AVAILABLE AS AN OPTION FOR 4", 5" OR 6" SQUARE POLES.

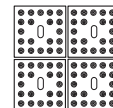
SPECIFY MOUNTING ASSEMBLY:
PTB27-TO FIT OVER 2 7/8" O.D. TENON.

PTB23-TO FIT OVER 2 3/8" O.D. TENON.

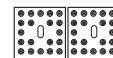
PLED™ MODULES



LUM LED POST TOP
E.P.A.= 1.36
Available in:
80 & 40 LED Array



80 LED Array



40 LED Array

No. of LEDs	Drive Current	System Watts	HID Equivalent
40	350mA	45	70 - 100
	525mA	66	100 - 150
	700mA	91	175
	1050mA	142	200 - 250
80	350mA	92	150 - 175
	525mA	136	200 - 250
	700mA	184	400

Spec/Order Example: LUM-LED/PLED-V-SQ/80LED-700mA/NW/277/1/RAL9005

SPEC / ORDERING INFORMATION

MODEL	OPTICS	LED	MOUNTING	FINISH	OPTIONS
<input checked="" type="checkbox"/> LUM LED PT	PLED™ DISTRIBUTION <input type="checkbox"/> TYPE II PLED-II <input type="checkbox"/> TYPE II FRONT ROW PLED-II-FR <input type="checkbox"/> TYPE II MEDIAN ILLUMINATOR PLED-II-ML <input type="checkbox"/> TYPE III PLED-III <input type="checkbox"/> TYPE IV PLED-IV <input type="checkbox"/> TYPE IV PLED-IV-FT <input type="checkbox"/> TYPE V NARROW PLED-VSQ-N <input type="checkbox"/> TYPE V PLED-VSQ-M <input checked="" type="checkbox"/> TYPE V PLED-VSQ-W	No. LEDs <input checked="" type="checkbox"/> 80LED <input type="checkbox"/> 40LED DRIVE CURRENT <input type="checkbox"/> 1050mA <input type="checkbox"/> 700mA <input checked="" type="checkbox"/> 525mA <input type="checkbox"/> 350mA COLOR TEMP-CCT <input checked="" type="checkbox"/> NW (4000K)* *STANDARD <input type="checkbox"/> CW (5000K) <input type="checkbox"/> WW (3000K) OTHER LED COLORS AVAILABLE CONSULT FACTORY VOLTAGE <input checked="" type="checkbox"/> 120 <input type="checkbox"/> 208 <input type="checkbox"/> 240 <input type="checkbox"/> 277 <input type="checkbox"/> 347 <input type="checkbox"/> 480 NOTE: 1 - 700mA MAXIMUM	ARM MOUNT <input type="checkbox"/> PTA <input checked="" type="checkbox"/> PTB23 (TO FIT 2 3/8" O.D.) <input checked="" type="checkbox"/> PTB27 (TO FIT 2 7/8" O.D.)	STANDARD TEXTURED FINISH <input type="checkbox"/> BLACK RAL-9005-T <input type="checkbox"/> WHITE RAL-9003-T <input checked="" type="checkbox"/> GREY RAL-7004-T <input type="checkbox"/> DARK BRONZE RAL-8019-T <input type="checkbox"/> GREEN RAL-6005-T FOR SMOOTH FINISH REPLACE SUFFIX "T" WITH SUFFIX "S" (EXAMPLE: RAL-9005-S) SEE USALTG.COM FOR ADDITIONAL COLORS	<input type="checkbox"/> HIGH-LOW DIMMING FOR HARDWIRED SWITCHING OR NONINTEGRATED MOTION SENSOR <input type="checkbox"/> INTERNAL HOUSE SIDE SHIELD <input type="checkbox"/> PHOTO CELL + VOLTAGE (EXAMPLE: PC120V) <input type="checkbox"/> TWIST LOCK PHOTO CELL + VOLTAGE (EXAMPLE: PC120V) <input type="checkbox"/> TWIST LOCK RECEPTACLE ONLY <input type="checkbox"/> 7-PIN TWIST LOCK RECEPTACLE ONLY <input type="checkbox"/> SINGLE FUSE (120V, 277V, 347V) <input type="checkbox"/> DOUBLE FUSE (208V, 240V, 480V) <input type="checkbox"/> STEP DIM MOTION SENSOR (PROGRAMMED 50/100) <input type="checkbox"/> REMOTE MOTION SENSOR CONFIGURATOR

