

SCHEDULE

- N1 - (1) 27" ILLUMINATED CHANNEL LETTERS WITH 8" LK TAGLINE ILLUMINATED CHANNEL LETTERS ON WIREWAY
- N2 - (1) 22" ILLUMINATED CHANNEL LETTERS (NO LK TAGLINE)
- N3 - (1) 36" ILLUMINATED BUILDING SEAL
- N4 - (1) 36" ILLUMINATED BUILDING SEAL
- N5 - (1) NON-ILLUMINATED FCO LETTERS "LOVE THAT CHICKEN"
- N6 - (1) 10'-0"X4'-0"X8" DRIVE THRU WINDOW CANOPY (PAINTED BLACK)
- N7 - (1) 4'-0"X3'-0"X8" CANOPY (PAINTED RED)
- N8 - (3) 17'-0"X3'-0"X8" CANOPY (PAINTED RED)
- N9 - (1) 8'-0"X3'-0"X8" CANOPY (PAINTED BLACK)
- N10 - ((4) NON-ILLUMINATED 8" TALL BUILDING FASCIA BAND
- N11 - (1) 3'-0" GUARDRAIL WITH PLATES
- N12 - (1) CLEARANCE BAR
- N13 - (1) DRIVE THRU MENU CANOPY
- N14 - (1) SPEAKER BOX
- N15 - (2) MONUMENT TENAN PANELS



POPEYES
 HZ Foods, LLC
 1343 S Gilbert Rd.
 Mesa, AZ 85204

A P P R O V A L

X	Title	Date
---	-------	------

S I G N C O D E

BUILDING SIGNS:
 Code Check: Zoning App - 5 signs on Gilbert Rd and 4 signs on Southern Ave. Max 36" cap ht. NTE 80% of frontage. Max 152 sq.ft.

FREESTANDING SIGNS:
 Code Check: Landlord-approved tenants shall be provided with an area on one of the two monument signs.

L E G E N D

- N1 NEW PROPOSED
- R1 EXISTING SIGN TO BE REPLACED
- X1 EXISTING SIGN TO BE REMOVED
- S1 EXISTING SIGN TO REMAIN



VICINITY MAP

NOT TO SCALE

S Q U A R E F O O T A G E I N F O R M A T I O N

ALLOWABLE 0.00 SQ. FT.

PROPOSED 0.00 SQ. FT.



AERIAL MAP

NOT TO SCALE



LOREN INDUSTRIES

12226 Coast Drive
 Whittier, CA 90601
 Tel: (562) 946-7545
 Fax: (562) 949-5707
 St. Lic.: 455415

Los Angeles, CA



DRAWING/REVISION NO.:

11-20-0015

PAGE NO.:

1 OF 19

CLIENT:

POPEYES

ADDRESS

1343 S Gilbert Rd.
 Mesa, AZ 85204

Approval Signature

DATE:

11/24/2020

PROJECT MANAGER

Dave P.

DESIGNER:

EC

REVISION DATE:

REVISION BY:

ALL IDEAS, PLANS, AND ELECTRONIC ART INDICATED ON THIS DRAWING ARE COPYRIGHTED AND OWNED BY LOREN ELECTRIC SIGN CORPORATION AND SHALL NOT BE REPRODUCED, USED BY OR DISCLOSED TO ANY PERSONS, FIRM OR CORPORATION FOR ANY PURPOSE WHATSOEVER WITHOUT PERMISSION OF LOREN ELECTRIC SIGN CORPORATION.



LOREN
LOREN INDUSTRIES

12226 Coast Drive
Whittier, CA 90601
Tel: (562) 946-7545
Fax: (562) 949-5707
St. Lic.: 455415
Los Angeles, CA



DRAWING/REVISION NO.:
11-20-0015

PAGE NO.:
2 OF 19

CLIENT:
POPEYES

ADDRESS
1343 S Gilbert Rd.
Mesa, AZ 85204

Approval Signature

DATE:
11/24/2020

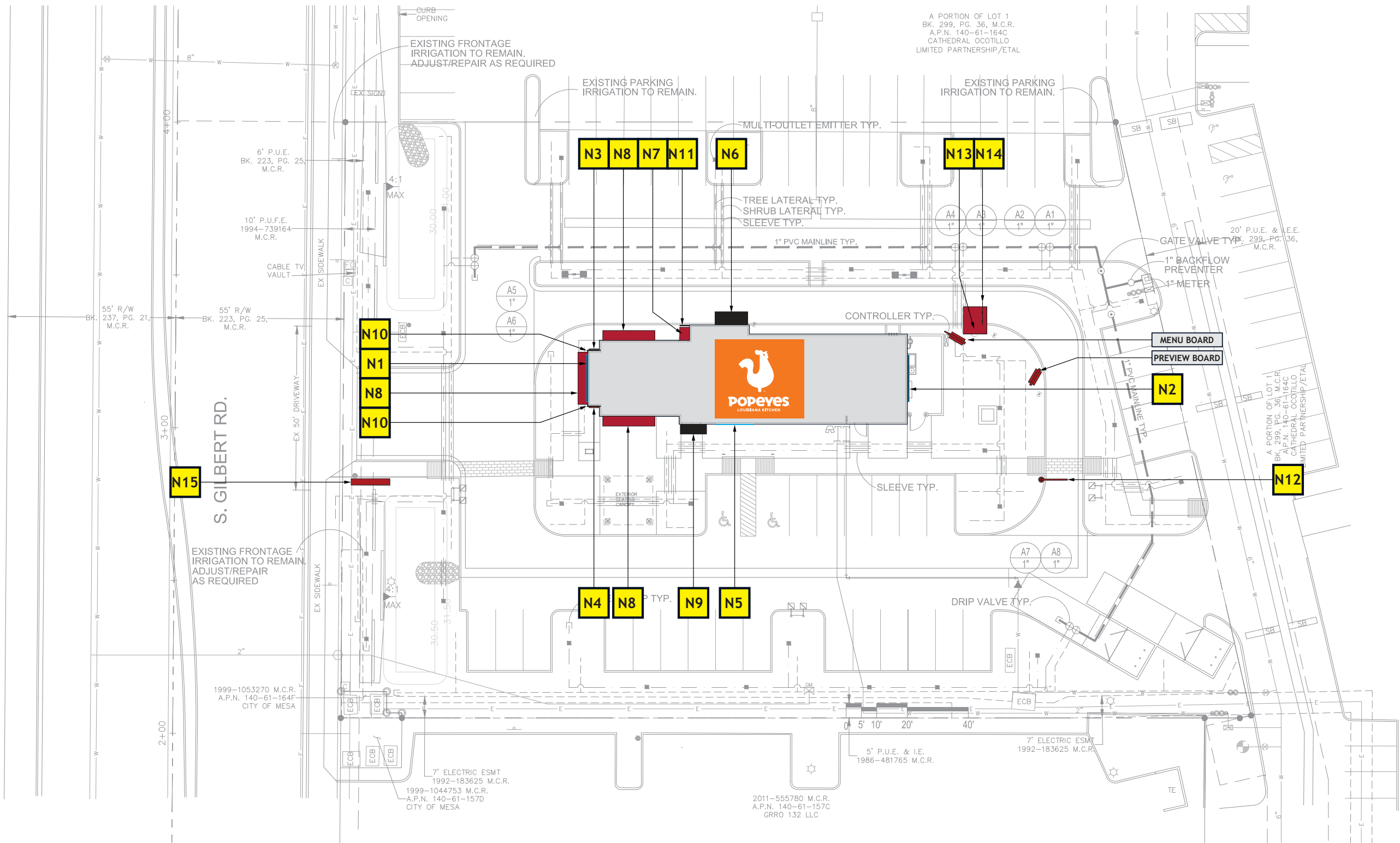
PROJECT MANAGER
Dave P.

DESIGNER:
EC

REVISION DATE:

REVISION BY:

ALL IDEAS, PLANS, AND ELECTRONIC ART INDICATED ON THIS DRAWING ARE COPYRIGHTED AND OWNED BY LOREN ELECTRIC SIGN CORPORATION AND SHALL NOT BE REPRODUCED, USED BY OR DISCLOSED TO ANY PERSONS, FIRM OR CORPORATION FOR ANY PURPOSE WHATSOEVER WITHOUT PERMISSION OF LOREN ELECTRIC SIGN CORPORATION.

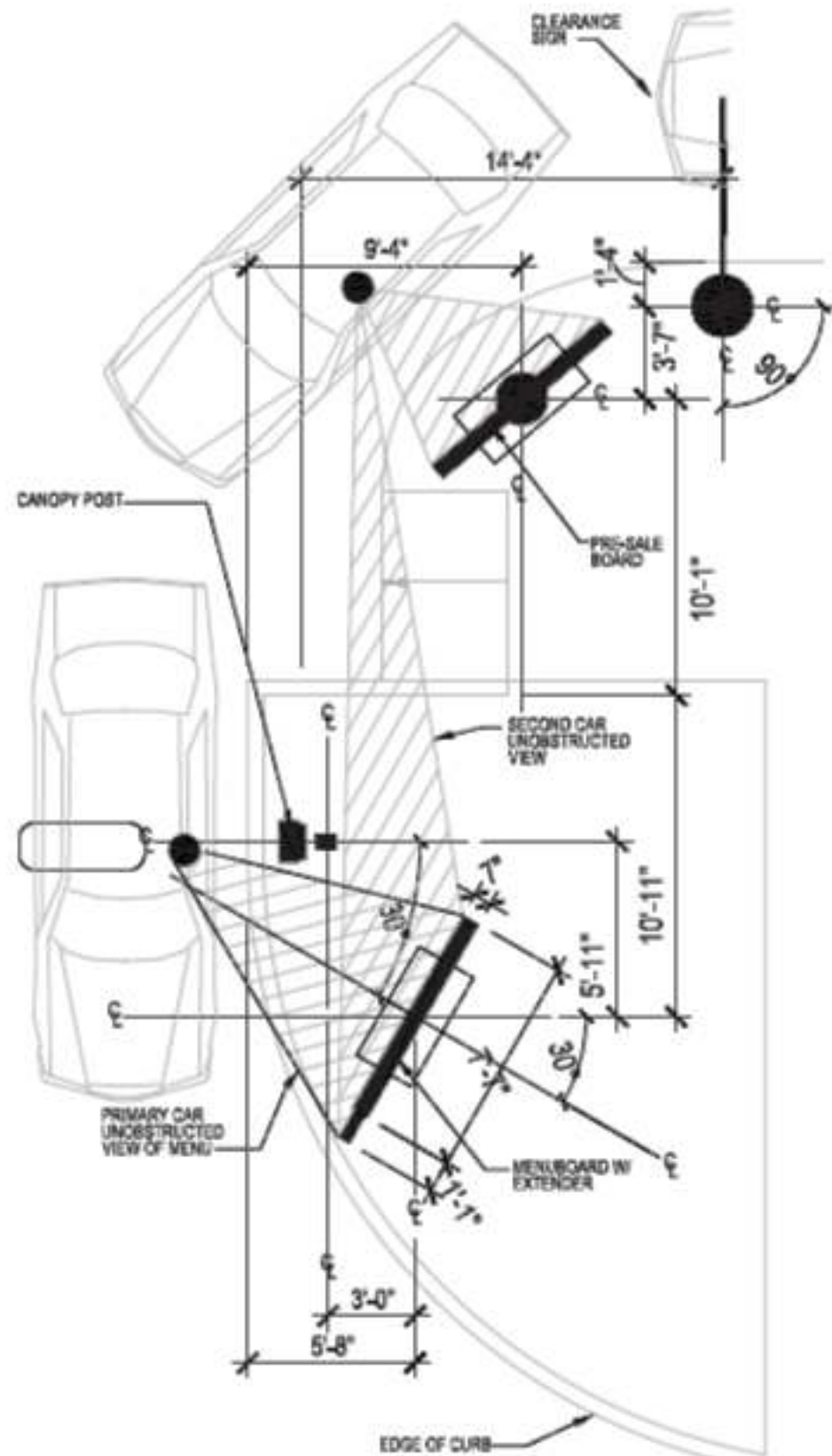


NOTE: DIGITAL PREVIEW AND MENU BOARDS BY OTHERS.

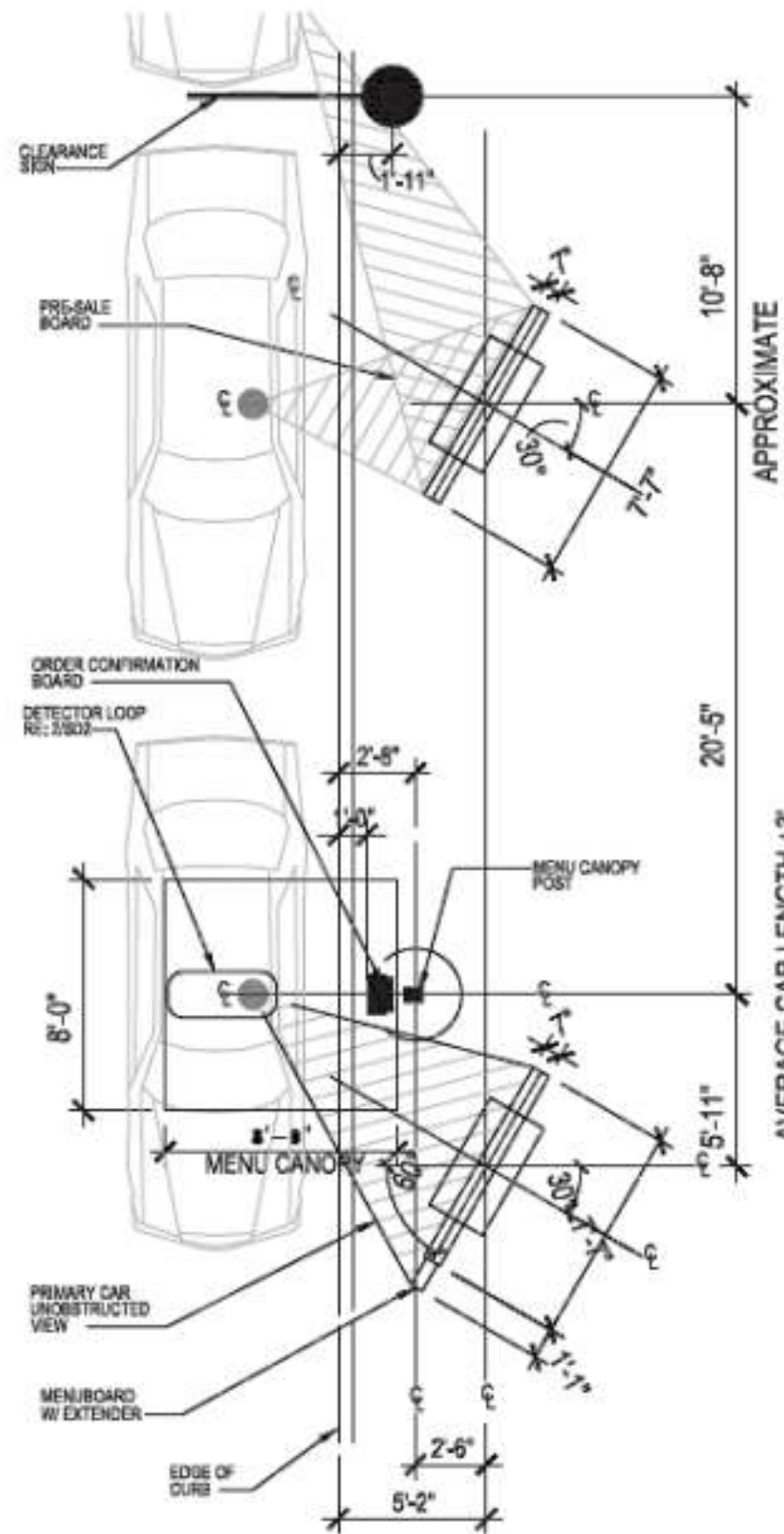
SITE PLAN



Scale: 1/32"=1'-0"



MENU BOARD PRE-SALE 9
1/8" = 1' - 0"



MENU BOARD PRE-SALE ALT. 10
1/8" = 1' - 0"

Speaker canopy menu board standard template location.



LOREN

LOREN INDUSTRIES

12226 Coast Drive
Whittier, CA 90601
Tel: (562) 946-7545
Fax: (562) 949-5707
St. Lic.: 455415

Los Angeles, CA



DRAWING/REVISION NO.:
11-20-0015

PAGE NO.:
3 OF 19

CLIENT:
POPEYES

ADDRESS
1343 S Gilbert Rd.
Mesa, AZ 85204

Approval Signature

DATE:
11/24/2020

PROJECT MANAGER
Dave P.

DESIGNER:
EC

REVISION DATE:

REVISION BY:

ALL IDEAS, PLANS, AND ELECTRONIC ART INDICATED ON THIS DRAWING ARE COPYRIGHTED AND OWNED BY LOREN ELECTRIC SIGN CORPORATION AND SHALL NOT BE REPRODUCED, USED BY OR DISCLOSED TO ANY PERSONS, FIRM OR CORPORATION FOR ANY PURPOSE WHATSOEVER WITHOUT PERMISSION OF LOREN ELECTRIC SIGN CORPORATION.



LOREN
LOREN INDUSTRIES

12226 Coast Drive
Whittier, CA 90601
Tel: (562) 946-7545
Fax: (562) 949-5707
St. Lic.: 455415

Los Angeles, CA



DRAWING/REVISION NO.:
11-20-0015

PAGE NO.:
4 OF 19

CLIENT:
POPEYES

ADDRESS
1343 S Gilbert Rd.
Mesa, AZ 85204

Approval Signature

DATE:
11/24/2020

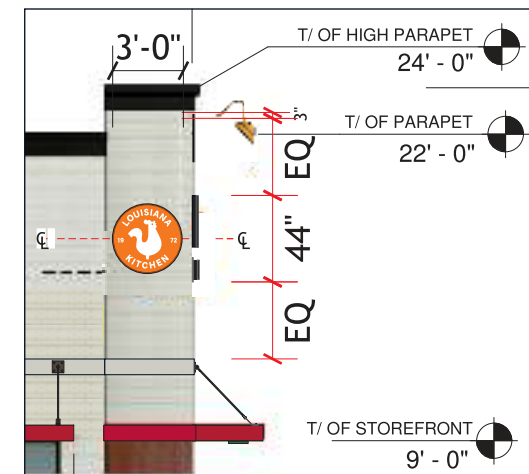
PROJECT MANAGER
Dave P.

DESIGNER:
EC

REVISION DATE:

REVISION BY:

ALL IDEAS, PLANS, AND ELECTRONIC ART INDICATED ON THIS DRAWING ARE COPYRIGHTED AND OWNED BY LOREN ELECTRIC SIGN CORPORATION AND SHALL NOT BE REPRODUCED, USED BY OR DISCLOSED TO ANY PERSONS, FIRM OR CORPORATION FOR ANY PURPOSE WHATSOEVER WITHOUT PERMISSION OF LOREN ELECTRIC SIGN CORPORATION.



**GOOSENECK LIGHT PLACEMENT
SIDE ELEVATION VIEW**



WEST ELEVATION (STOREFRONT)

**PROPOSED: 52.55 SQ.FT.
ALLOWED: 152.00 SQ.FT.**

Scale: 3/16" = 1'-0"



LOREN

LOREN INDUSTRIES

12226 Coast Drive
Whittier, CA 90601

Tel: (562) 946-7545

Fax: (562) 949-5707

St. Lic.: 455415

Los Angeles, CA



DRAWING/REVISION NO.:

11-20-0015

PAGE NO.:

5 OF 19

CLIENT:

POPEYES

ADDRESS

1343 S Gilbert Rd.
Mesa, AZ 85204

Approval Signature

DATE:

11/24/2020

PROJECT MANAGER

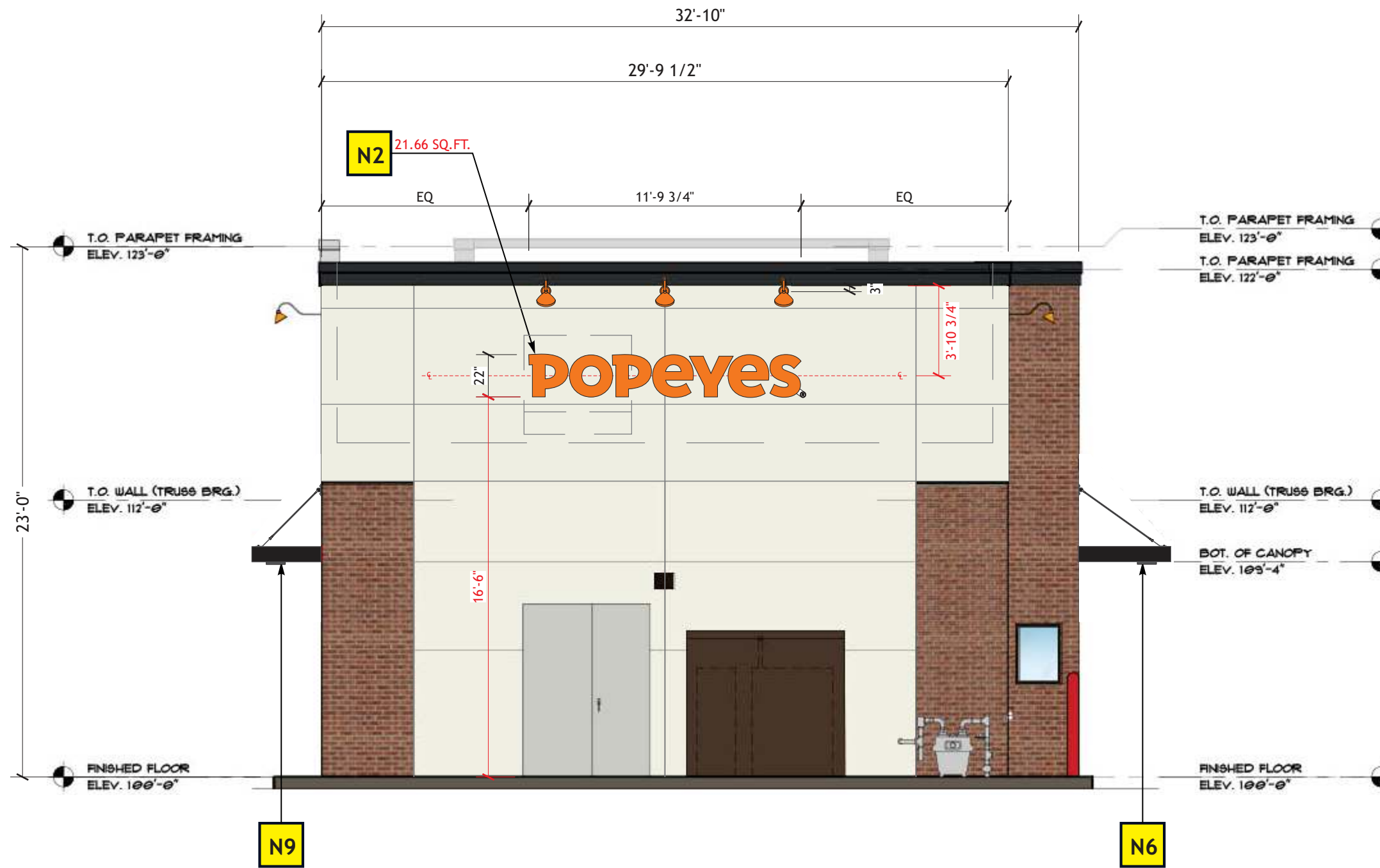
Dave P.

DESIGNER:

EC

REVISION DATE:

REVISION BY:



EAST ELEVATION (REAR)

TOTAL PROPOSED: 21.66 SQ.FT.

Scale: 3/16" = 1'-0"

ALL IDEAS, PLANS, AND ELECTRONIC ART INDICATED ON THIS DRAWING ARE COPYRIGHTED AND OWNED BY LOREN ELECTRIC SIGN CORPORATION AND SHALL NOT BE REPRODUCED, USED BY OR DISCLOSED TO ANY PERSONS, FIRM OR CORPORATION FOR ANY PURPOSE WHATSOEVER WITHOUT PERMISSION OF LOREN ELECTRIC SIGN CORPORATION.



LOREN

LOREN INDUSTRIES

12226 Coast Drive
Whittier, CA 90601

Tel: (562) 946-7545
Fax: (562) 949-5707

St. Lic.: 455415

Los Angeles, CA



DRAWING/REVISION NO.:

11-20-0015

PAGE NO.:

6 OF 19

CLIENT:

POPEYES

ADDRESS

1343 S Gilbert Rd.
Mesa, AZ 85204

Approval Signature

DATE:

11/24/2020

PROJECT MANAGER

Dave P.

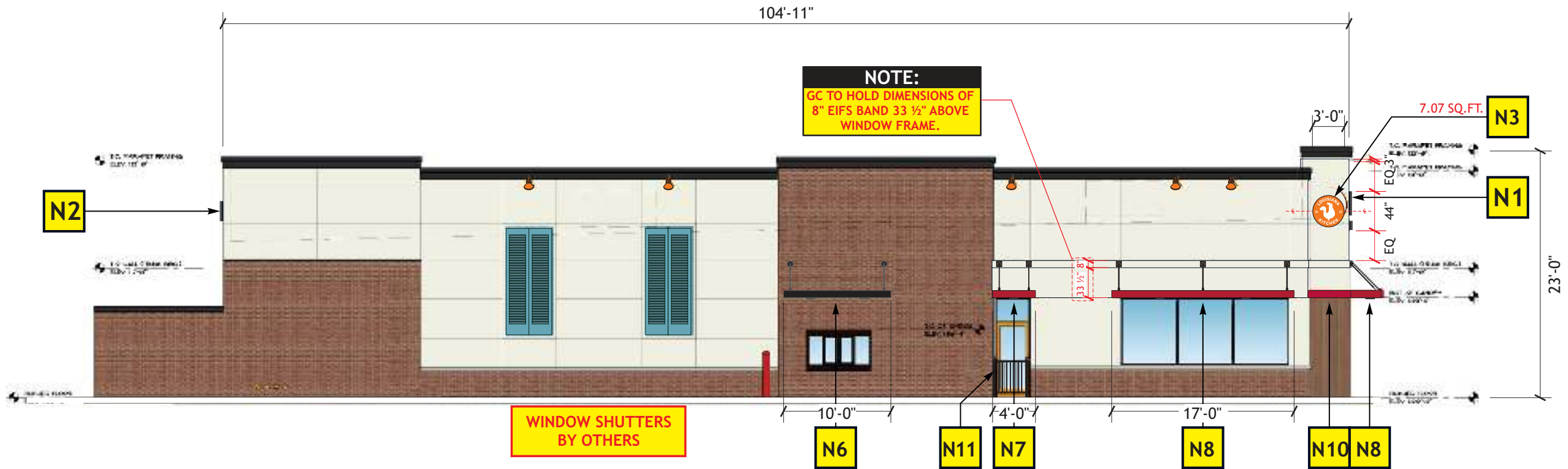
DESIGNER:

EC

REVISION DATE:

REVISION BY:

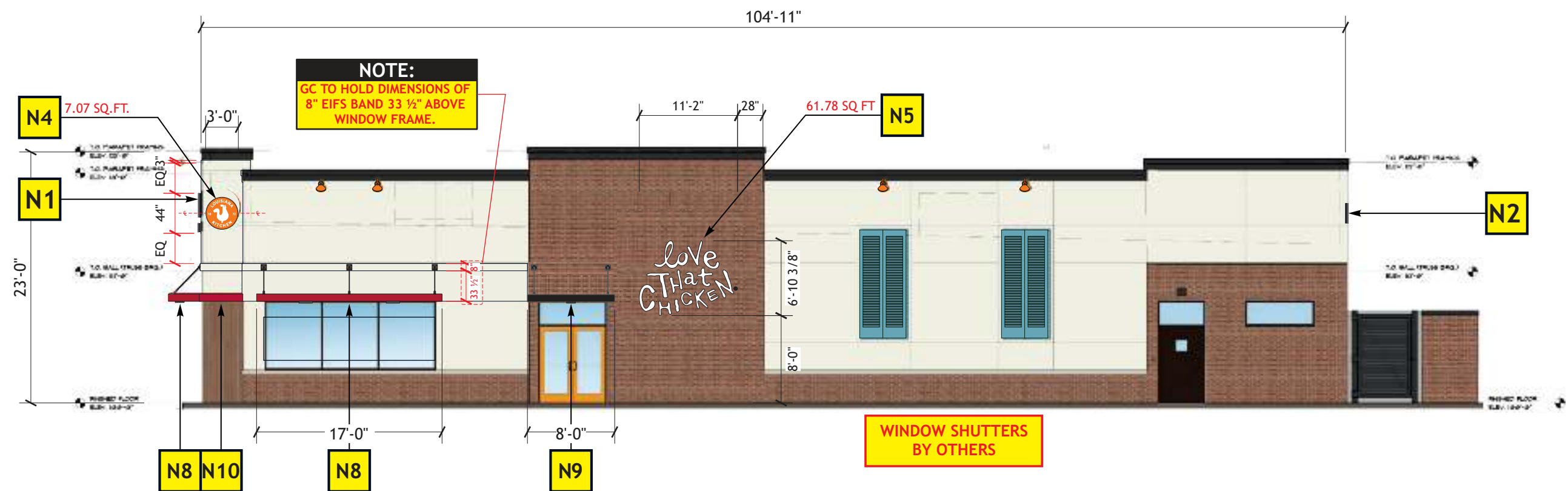
ALL IDEAS, PLANS, AND ELECTRONIC ART INDICATED ON THIS DRAWING ARE COPYRIGHTED AND OWNED BY LOREN ELECTRIC SIGN CORPORATION AND SHALL NOT BE REPRODUCED, USED BY OR DISCLOSED TO ANY PERSONS, FIRM OR CORPORATION FOR ANY PURPOSE WHATSOEVER WITHOUT PERMISSION OF LOREN ELECTRIC SIGN CORPORATION.



NORTH ELEVATION (LEFT)

TOTAL PROPOSED: 7.07 SQ.FT.

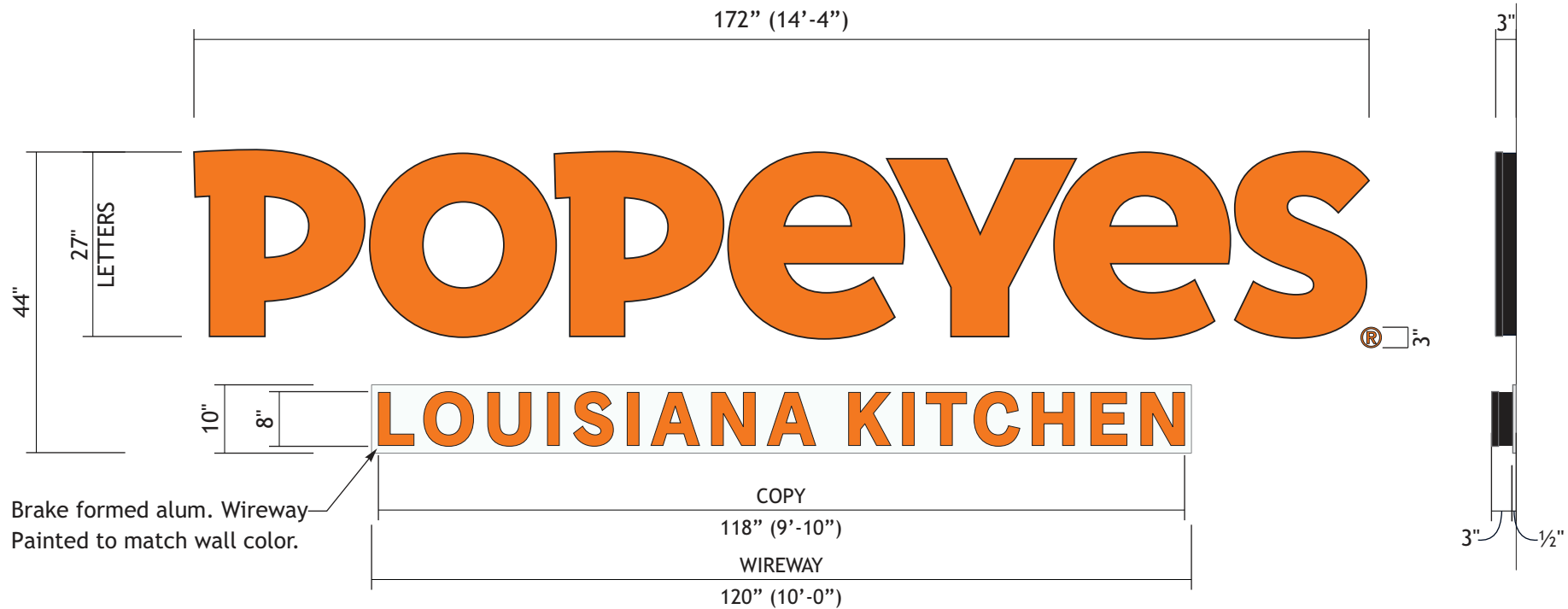
Scale: 3/32" = 1'-0"



SOUTH ELEVATION (RIGHT)

TOTAL PROPOSED: 68.85 SQ.FT.

Scale: 3/32" = 1'-0"



N1

ILLUMINATED CHANNEL LETTERS

FRONT VIEW

AREA: 52.55 SQ FT

SCALE: 1/2" = 1'-0"

SIDE VIEW

SCALE: 1/2" = 1'-0"

SPECIFICATIONS:

LETTERS: POPEYES

FACES:..... .177" #7328 WHITE ACRYLIC FACES
w/ 1ST SURFACE VINYL
3M 3630-84 TANGERINE

RETURNS:..... .040" X 3.0 ALUMINUM BLACK COIL

BACKS:..... 1/8" WHITE ACM BACKS

TRIM CAP:..... 1" JEWELITE BLACK TRIMCAP

ILLUMINATION:.. WHITE LED'S

SPECIFICATIONS:

LETTERS: LOUISIANA KITCHEN

FACES:..... .177" #7328 WHITE ACRYLIC FACES
w/ 1ST SURFACE VINYL
3M 3630-84 TANGERINE

RETURNS:..... .040" X 3.0 ALUMINUM BLACK COIL

BACKS:..... 1/8" WHITE ACM BACKS

TRIM CAP:..... 1" JEWELITE BLACK TRIMCAP

ILLUMINATION:.. WHITE LED'S

WIREWAY..... .090" BRAKE FORMED ALUM.



LOREN INDUSTRIES

12226 Coast Drive
Whittier, CA 90601
Tel: (562) 946-7545
Fax: (562) 949-5707
St. Lic.: 455415

Los Angeles, CA



DRAWING/REVISION NO.:

11-20-0015

PAGE NO.:

7 OF 19

CLIENT:

POPEYES

ADDRESS

1343 S Gilbert Rd.
Mesa, AZ 85204

Approval Signature

DATE:

11/24/2020

PROJECT MANAGER

Dave P.

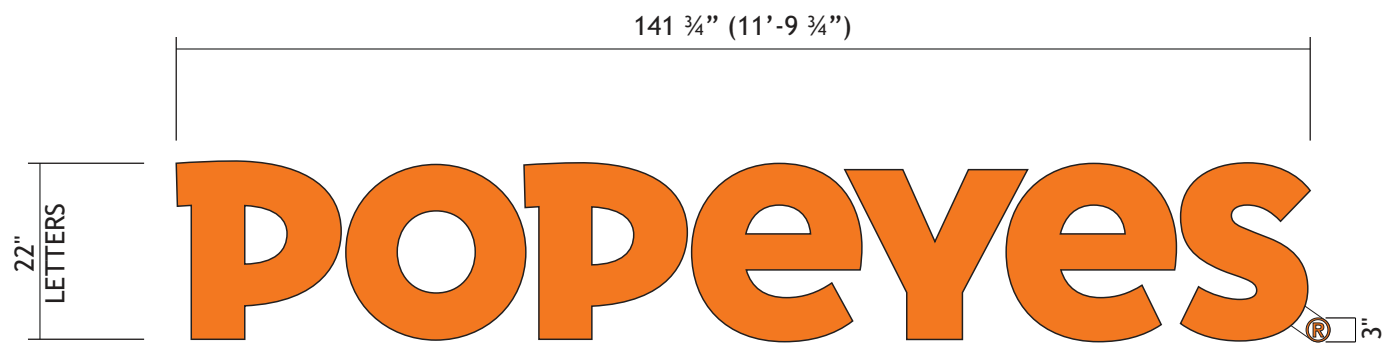
DESIGNER:

EC

REVISION DATE:

REVISION BY:

ALL IDEAS, PLANS, AND ELECTRONIC ART INDICATED ON THIS DRAWING ARE COPYRIGHTED AND OWNED BY LOREN ELECTRIC SIGN CORPORATION AND SHALL NOT BE REPRODUCED, USED BY OR DISCLOSED TO ANY PERSONS, FIRM OR CORPORATION FOR ANY PURPOSE WHATSOEVER WITHOUT PERMISSION OF LOREN ELECTRIC SIGN CORPORATION.



3"



N2

ILLUMINATED CHANNEL LETTERS

FRONT VIEW

TOTAL AREA: 21.66 SQ FT

SCALE: 1/2" = 1'-0"

SIDE VIEW

SCALE: 1/2" = 1'-0"

SPECIFICATIONS:

LETTERS: POPEYES

FACES:..... .177" #7328 WHITE ACRYLIC FACES
w/ 1ST SURFACE VINYL
3M 3630-84 TANGERINE
RETURNS:..... .040" X 3.0 ALUMINUM BLACK COIL
BACKS:..... 1/8" WHITE ACM BACKS
TRIM CAP:..... 1" JEWELITE BLACK TRIMCAP
ILLUMINATION:.. WHITE LED'S

SPECIFICATIONS:

LETTERS: LOUISIANA KITCHEN

FACES:..... .177" #7328 WHITE ACRYLIC FACES
w/ 1ST SURFACE VINYL
3M 3630-84 TANGERINE
RETURNS:..... .040" X 3.0 ALUMINUM BLACK COIL
BACKS:..... 1/8" WHITE ACM BACKS
TRIM CAP:..... 1" JEWELITE BLACK TRIMCAP
ILLUMINATION:.. WHITE LED'S
WIREWAY..... .090" BRAKE FORMED ALUM.



LOREN

LOREN INDUSTRIES

12226 Coast Drive
Whittier, CA 90601

Tel: (562) 946-7545

Fax: (562) 949-5707

St. Lic.: 455415

Los Angeles, CA



DRAWING/REVISION NO.:

11-20-0015

PAGE NO.:

8 OF 19

CLIENT:

POPEYES

ADDRESS

1343 S Gilbert Rd.
Mesa, AZ 85204

Approval Signature

DATE:

11/24/2020

PROJECT MANAGER

Dave P.

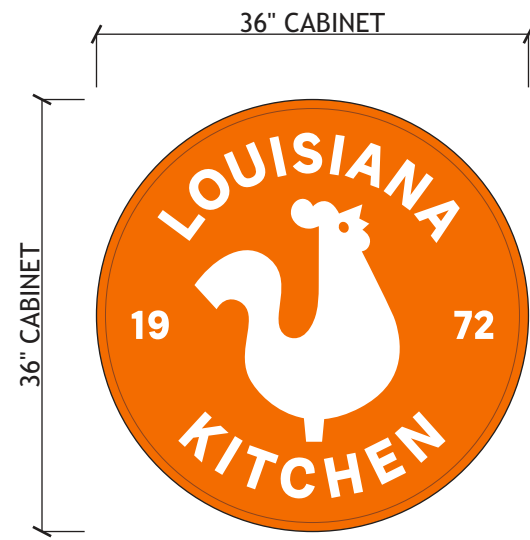
DESIGNER:

EC

REVISION DATE:

REVISION BY:

ALL IDEAS, PLANS, AND ELECTRONIC ART INDICATED ON THIS DRAWING ARE COPYRIGHTED AND OWNED BY LOREN ELECTRIC SIGN CORPORATION AND SHALL NOT BE REPRODUCED, USED BY OR DISCLOSED TO ANY PERSONS, FIRM OR CORPORATION FOR ANY PURPOSE WHATSOEVER WITHOUT PERMISSION OF LOREN ELECTRIC SIGN CORPORATION.



SPECIFICATIONS:

1. RETURNS - 3" X .040" ALUMINUM PAINTED BLACK
2. FACES - .118" CLEAR IMPACTED MODIFIED ACRYLIC W/ 2ND SURFACE VINYL
- 3M 3630-84 Tangerine, 3630-20 WHITE
3. TRIM CAP - 1" BLACK
4. BACKS - 1/8" ACM
5. LEDS- WHITE LED W/ 12V 60W POWER SUPPLY

QTY: 2

N3 N4

ILLUMINATED BUILDING SEAL
FRONT VIEW & SIDE VIEW

AREA: 7.07 SQ FT
SCALE: 3/4" = 1'-0"



LOREN

LOREN INDUSTRIES

12226 Coast Drive
Whittier, CA 90601

Tel: (562) 946-7545

Fax: (562) 949-5707

St. Lic.: 455415

Los Angeles, CA



DRAWING/REVISION NO.:

11-20-0015

PAGE NO.:

9 OF 19

CLIENT:

POPEYES

ADDRESS

1343 S Gilbert Rd.
Mesa, AZ 85204

Approval Signature

DATE:

11/24/2020

PROJECT MANAGER

Dave P.

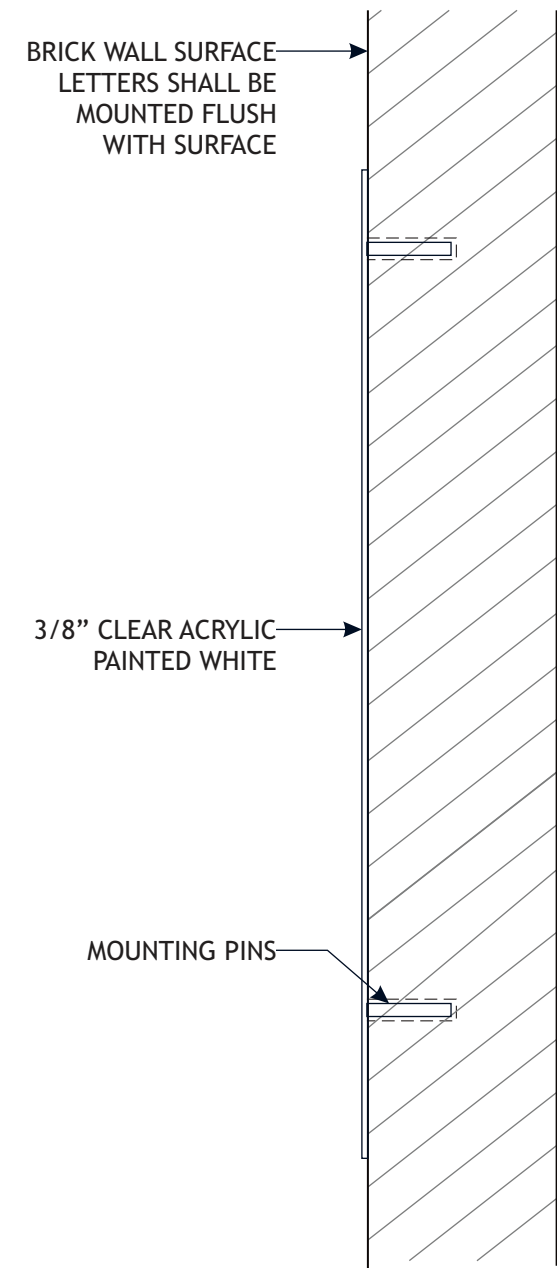
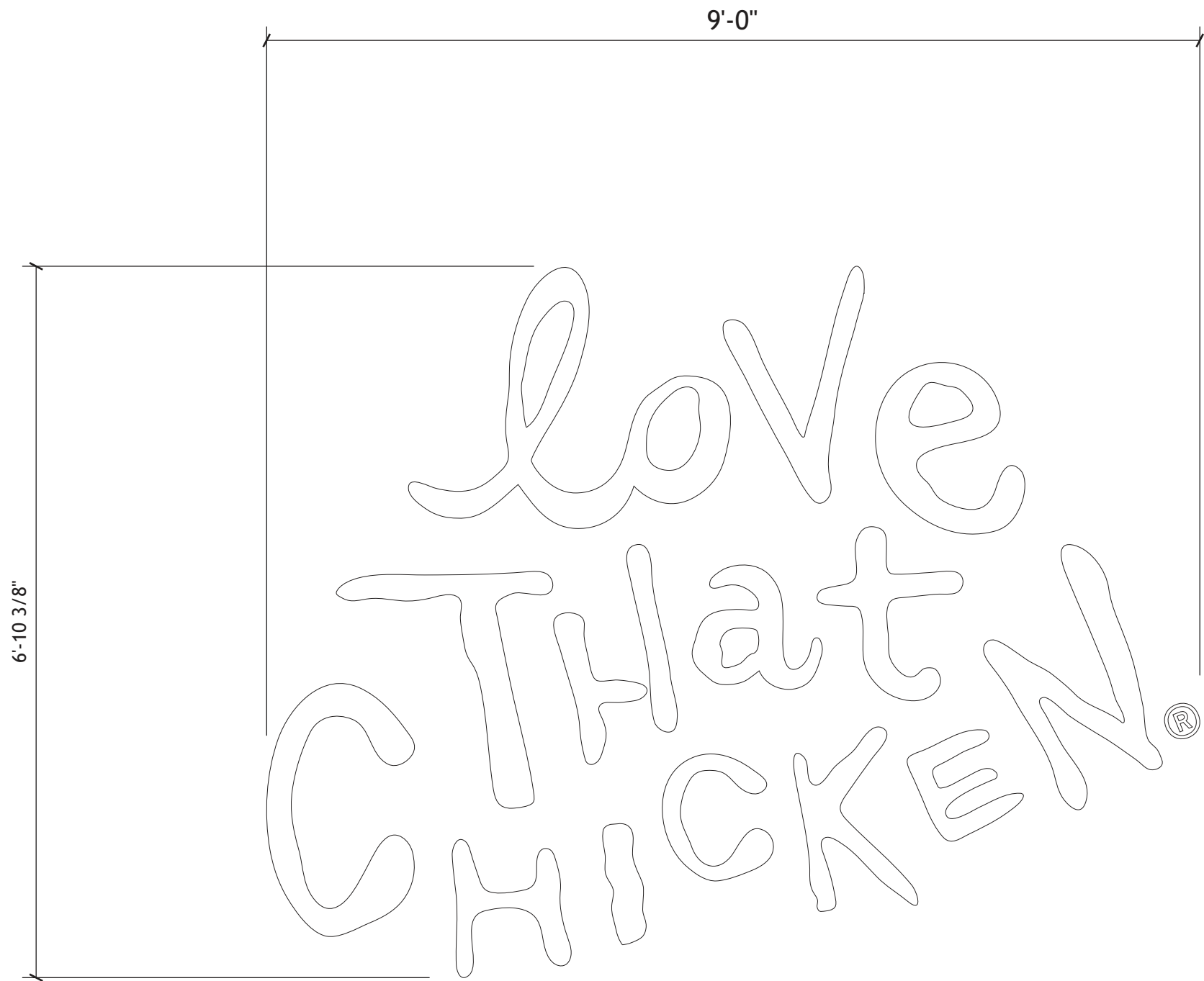
DESIGNER:

EC

REVISION DATE:

REVISION BY:

ALL IDEAS, PLANS, AND ELECTRONIC ART INDICATED ON THIS DRAWING ARE COPYRIGHTED AND OWNED BY LOREN ELECTRIC SIGN CORPORATION AND SHALL NOT BE REPRODUCED, USED BY OR DISCLOSED TO ANY PERSONS, FIRM OR CORPORATION FOR ANY PURPOSE WHATSOEVER WITHOUT PERMISSION OF LOREN ELECTRIC SIGN CORPORATION.



LOREN
LOREN INDUSTRIES

12226 Coast Drive
Whittier, CA 90601
Tel: (562) 946-7545
Fax: (562) 949-5707
St. Lic.: 455415

Los Angeles, CA



DRAWING/REVISION NO.:
11-20-0015

PAGE NO.:
10 OF 19

CLIENT:
POPEYES

ADDRESS
1343 S Gilbert Rd.
Mesa, AZ 85204

Approval Signature

DATE:
11/24/2020

PROJECT MANAGER
Dave P.

DESIGNER:
EC

REVISION DATE:

REVISION BY:

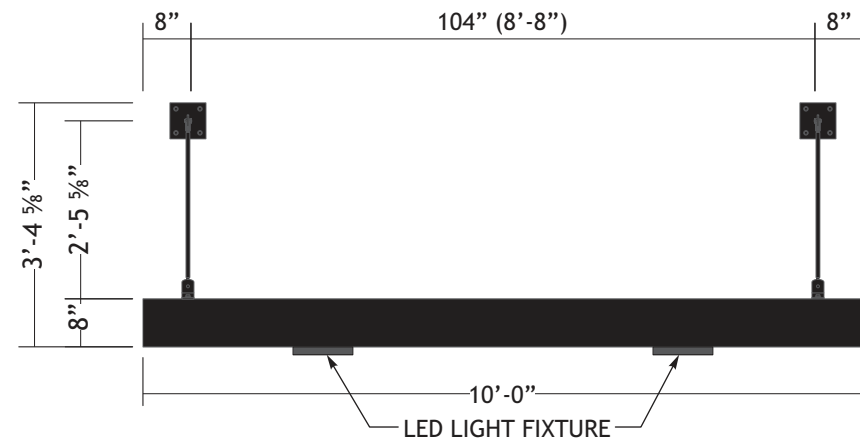
N5

"LOVE THAT CHICKEN" NON-ILLUMINATED FCO LETTERS

AREA: 61.78 SQ FT

Scale: 3/4" = 1'-0"

ALL IDEAS, PLANS, AND ELECTRONIC ART INDICATED ON THIS DRAWING ARE COPYRIGHTED AND OWNED BY LOREN ELECTRIC SIGN CORPORATION AND SHALL NOT BE REPRODUCED, USED BY OR DISCLOSED TO ANY PERSONS, FIRM OR CORPORATION FOR ANY PURPOSE WHATSOEVER WITHOUT PERMISSION OF LOREN ELECTRIC SIGN CORPORATION.



N6

DT WINDOW CANOPY
FRONT VIEW

QTY: 1

SCALE: 3/8" = 1'-0"

SPECIFICATIONS:

2. 2" X 8" ALUMINUM RECT. TUBE CANOPY FRAME WITH .090" BRAKE FORMED STIFFENERS
3. .090" ALUMINUM TOP & BOTTOM COVERS
4. PAINT - BLACK
5. LIGHTING - LED LIGHT FIXTURE

NOTES:

ELECTRICAL COMPONENTS TO BE UL LISTED AND INSTALLED IN ACCORDANCE WITH THE NATIONAL ELECTRIC CODE (NEC)

ALL WIRING SHALL BE 12 GA

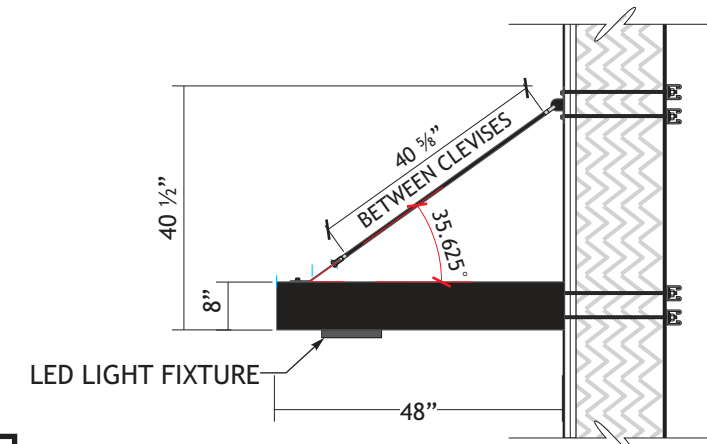
(1) 20 AMP-120V CIRCUIT TO BE BROUGHT TO JOB SITE BY LICENCED ELECTRICIAN.

ALL SIGNAGE WILL BE UL2161 COMPLIANT AND CARRY UL LABELS.

COLOR

 **BLACK**

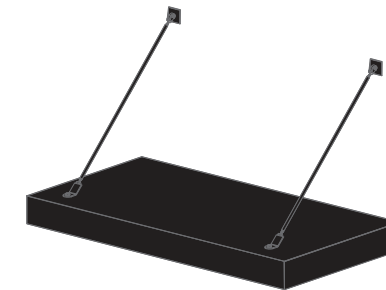
(1) LEFT (BRICK) SIDE



2

CANOPY
END VIEW

SCALE: 3/8" = 1'-0"



3

CANOPY
ISOMETRIC VIEW

SCALE: NTS



THIS SIGN IS INTENDED TO BE INSTALLED IN ACCORDANCE WITH THE REQUIREMENTS OF ARTICLE 600 OF THE NATIONAL ELECTRICAL CODE AND/OR OTHER APPLICABLE LOCAL CODES.

ELECTRIC SIGN SECTION

THIS INCLUDES PROPER GROUNDING AND BONDING OF THE SIGN.



LOREN

LOREN INDUSTRIES

12226 Coast Drive
Whittier, CA 90601

Tel: (562) 946-7545
Fax: (562) 949-5707

St. Lic.: 455415

Los Angeles, CA



DRAWING/REVISION NO.:

11-20-0015

PAGE NO.:

11 OF 19

CLIENT:

POPEYES

ADDRESS

1343 S Gilbert Rd.
Mesa, AZ 85204

Approval Signature

DATE:

11/24/2020

PROJECT MANAGER

Dave P.

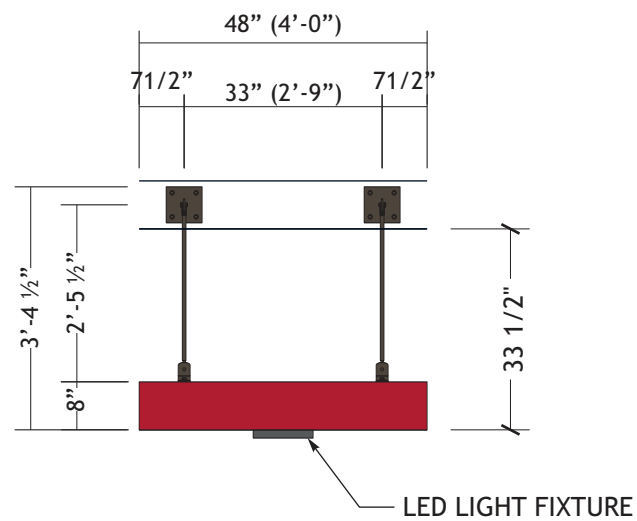
DESIGNER:

EC

REVISION DATE:

REVISION BY:

ALL IDEAS, PLANS, AND ELECTRONIC ART INDICATED ON THIS DRAWING ARE COPYRIGHTED AND OWNED BY LOREN ELECTRIC SIGN CORPORATION AND SHALL NOT BE REPRODUCED, USED BY OR DISCLOSED TO ANY PERSONS, FIRM OR CORPORATION FOR ANY PURPOSE WHATSOEVER WITHOUT PERMISSION OF LOREN ELECTRIC SIGN CORPORATION.



N7

CANOPY
FRONT VIEW

QTY: 1

SCALE: 3/8" = 1'-0"

SPECIFICATIONS:

2. 2" X 8" ALUMINUM RECT. TUBE CANOPY FRAME WITH .090" BRAKE FORMED STIFFENERS
3. .090" ALUMINUM TOP & BOTTOM COVERS
4. PAINT - PMS 187C RED
5. LIGHTING- LED LIGHT FIXTURE

NOTES:

ELECTRICAL COMPONENTS TO BE UL LISTED AND INSTALLED IN ACCORDANCE WITH THE NATIONAL ELECTRIC CODE (NEC)

ALL WIRING SHALL BE 12 GA

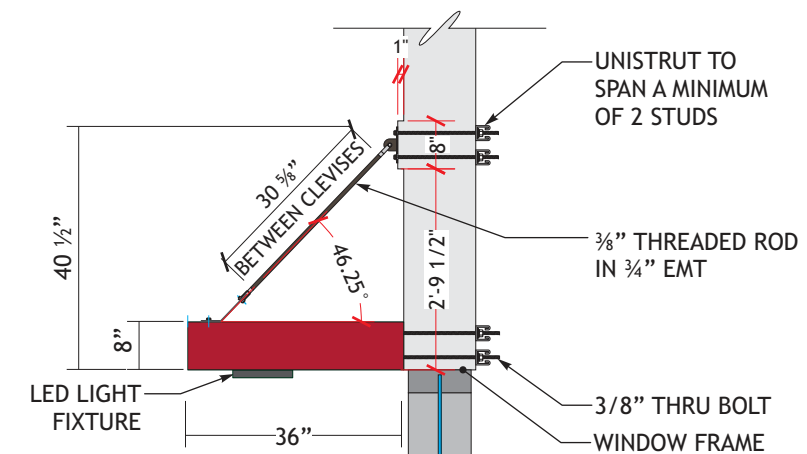
(1) 20 AMP-120V CIRCUIT TO BE BROUGHT TO JOB SITE BY LICENCED ELECTRICIAN.

ALL SIGNAGE WILL BE UL2161 COMPLIANT AND CARRY UL LABELS.

COLOR

- PMS 187C RED
- BM CC-542 WILLOW

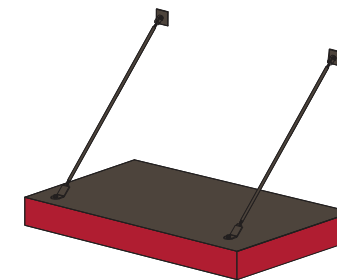
(1) LEFT SIDE



2

CANOPY
END VIEW

SCALE: 3/8" = 1'-0"



3

CANOPY
ISOMETRIC VIEW

SCALE: NTS



THIS SIGN IS INTENDED TO BE INSTALLED IN ACCORDANCE WITH THE REQUIREMENTS OF ARTICLE 600 OF THE NATIONAL ELECTRICAL CODE AND/OR OTHER APPLICABLE LOCAL CODES.
THIS INCLUDES PROPER GROUNDING AND BONDING OF THE SIGN.



LOREN INDUSTRIES

12226 Coast Drive
Whittier, CA 90601
Tel: (562) 946-7545
Fax: (562) 949-5707
St. Lic.: 455415

Los Angeles, CA



DRAWING/REVISION NO.:

11-20-0015

PAGE NO.:

12 OF 19

CLIENT:

POPEYES

ADDRESS

1343 S Gilbert Rd.
Mesa, AZ 85204

Approval Signature

DATE:

11/24/2020

PROJECT MANAGER

Dave P.

DESIGNER:

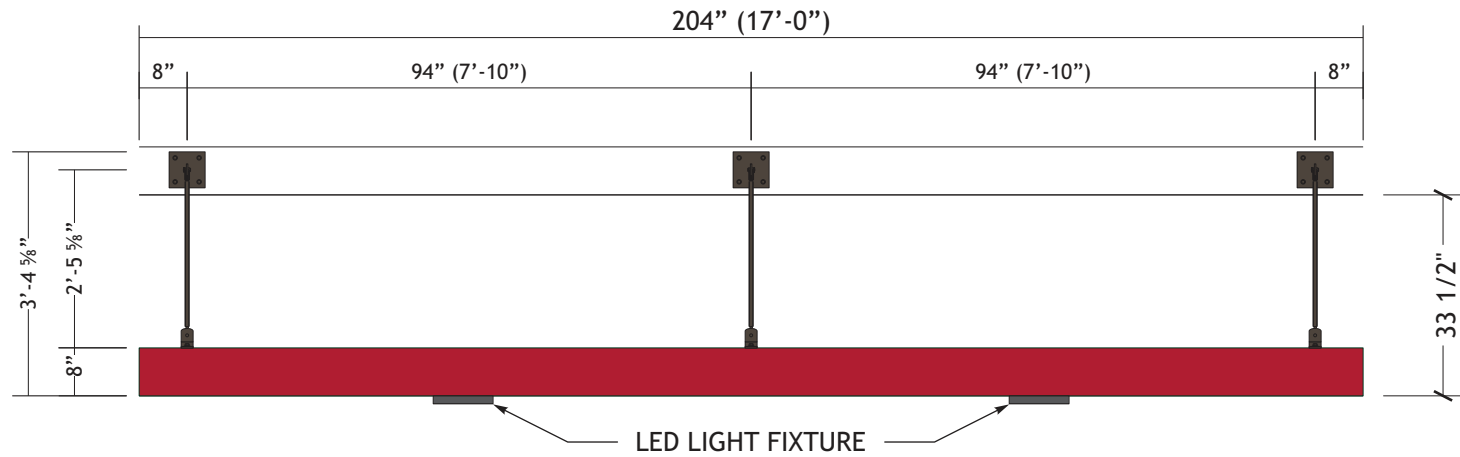
EC

REVISION DATE:

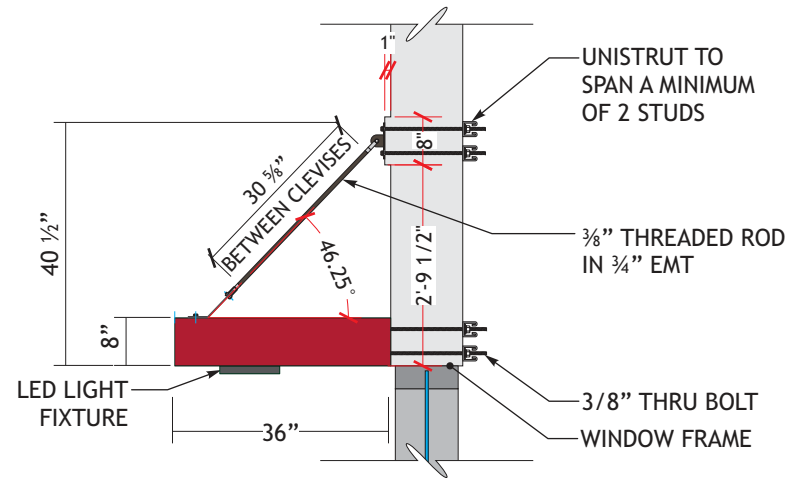
REVISION BY:

ALL IDEAS, PLANS, AND ELECTRONIC ART INDICATED ON THIS DRAWING ARE COPYRIGHTED AND OWNED BY LOREN ELECTRIC SIGN CORPORATION AND SHALL NOT BE REPRODUCED, USED BY OR DISCLOSED TO ANY PERSONS, FIRM OR CORPORATION FOR ANY PURPOSE WHATSOEVER WITHOUT PERMISSION OF LOREN ELECTRIC SIGN CORPORATION.

(1) LEFT SIDE; (1) FRONT; (1) RIGHT SIDE



N8 CANOPY FRONT VIEW **QTY: 3**
SCALE: 3/8" = 1'-0"



2 CANOPY END VIEW
SCALE: 3/8" = 1'-0"

SPECIFICATIONS:

2. 2" X 8" ALUMINUM RECT. TUBE CANOPY FRAME WITH .090" BRAKE FORMED STIFFENERS
3. .090" ALUMINUM TOP & BOTTOM COVERS
4. PAINT - PMS 187C RED
5. LIGHTING- LED LIGHT FIXTURE

NOTES:

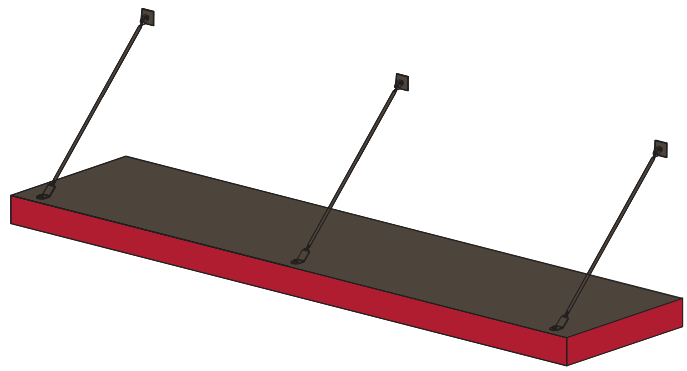
ELECTRICAL COMPONENTS TO BE UL LISTED AND INSTALLED IN ACCORDANCE WITH THE NATIONAL ELECTRIC CODE (NEC)

ALL WIRING SHALL BE 12 GA

(1) 20 AMP-120V CIRCUIT TO BE BROUGHT TO JOB SITE BY LICENCED ELECTRICIAN.

ALL SIGNAGE WILL BE UL2161 COMPLIANT AND CARRY UL LABELS.

- COLOR**
- PMS 187C RED
 - BM CC-542 WILLOW



3 CANOPY ISOMETRIC VIEW
SCALE: NTS

UL LISTED	THIS SIGN IS INTENDED TO BE INSTALLED IN ACCORDANCE WITH THE REQUIREMENTS OF ARTICLE 600 OF THE NATIONAL ELECTRICAL CODE AND/OR OTHER APPLICABLE LOCAL CODES.
ELECTRIC SIGN SECTION	THIS INCLUDES PROPER GROUNDING AND BONDING OF THE SIGN.

LOREN INDUSTRIES

12226 Coast Drive
Whittier, CA 90601
Tel: (562) 946-7545
Fax: (562) 949-5707
St. Lic.: 455415
Los Angeles, CA

DRAWING/REVISION NO.:
11-20-0015

PAGE NO.:
13 OF 19

CLIENT:
POPEYES

ADDRESS
1343 S Gilbert Rd.
Mesa, AZ 85204

Approval Signature

DATE:
11/24/2020

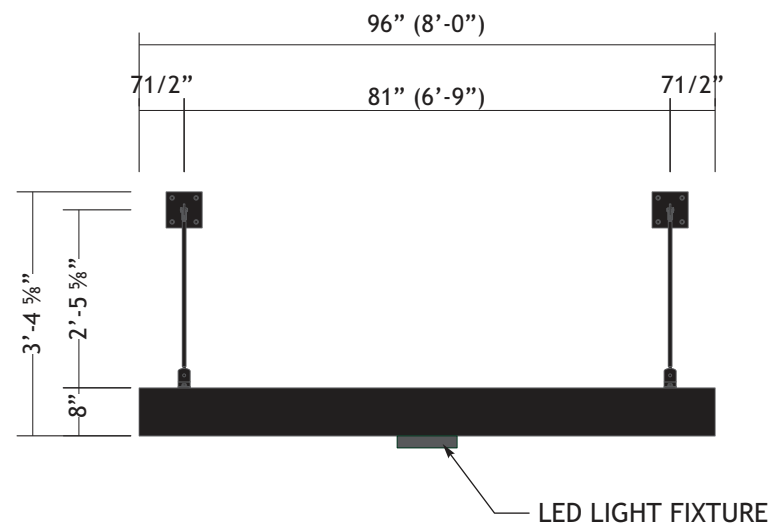
PROJECT MANAGER
Dave P.

DESIGNER:
EC

REVISION DATE:

REVISION BY:

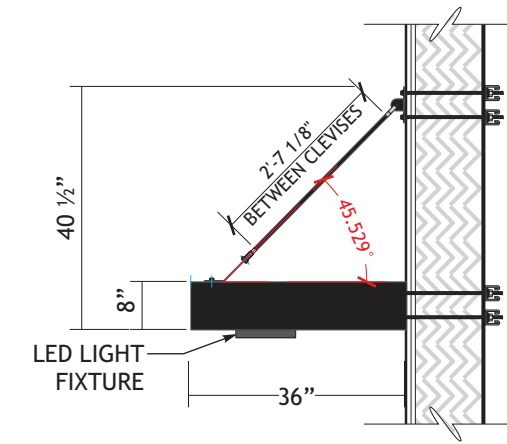
ALL IDEAS, PLANS, AND ELECTRONIC ART INDICATED ON THIS DRAWING ARE COPYRIGHTED AND OWNED BY LOREN ELECTRIC SIGN CORPORATION AND SHALL NOT BE REPRODUCED, USED BY OR DISCLOSED TO ANY PERSONS, FIRM OR CORPORATION FOR ANY PURPOSE WHATSOEVER WITHOUT PERMISSION OF LOREN ELECTRIC SIGN CORPORATION.



N9 CANOPY (MAIN ENTRY)
FRONT VIEW

QTY: 1

SCALE: 3/8" = 1'-0"



2 CANOPY
END VIEW

SCALE: 3/8" = 1'-0"

SPECIFICATIONS:

2. 2" X 8" ALUMINUM RECT. TUBE CANOPY FRAME WITH .090" BRAKE FORMED STIFFENERS
3. .090" ALUMINUM TOP & BOTTOM COVERS
4. PAINT - BLACK
5. LIGHTING - LED LIGHT FIXTURE

NOTES:

ELECTRICAL COMPONENTS TO BE UL LISTED AND INSTALLED IN ACCORDANCE WITH THE NATIONAL ELECTRIC CODE (NEC)

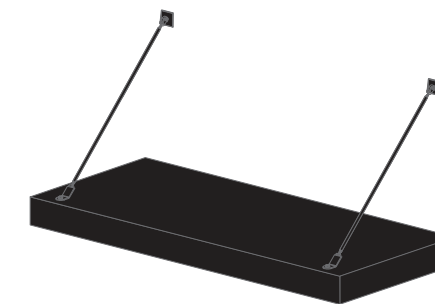
ALL WIRING SHALL BE 12 GA

(1) 20 AMP-120V CIRCUIT TO BE BROUGHT TO JOB SITE BY LICENCED ELECTRICIAN.

ALL SIGNAGE WILL BE UL2161 COMPLIANT AND CARRY UL LABELS.

COLOR

- PMS 187C RED
- BLACK



3 CANOPY
ISOMETRIC VIEW

SCALE: NTS

	<p>THIS SIGN IS INTENDED TO BE INSTALLED IN ACCORDANCE WITH THE REQUIREMENTS OF ARTICLE 600 OF THE NATIONAL ELECTRICAL CODE AND/OR OTHER APPLICABLE LOCAL CODES.</p> <p>THIS INCLUDES PROPER GROUNDING AND BONDING OF THE SIGN.</p>
--	---

(1) RIGHT (BRICK) SIDE



LOREN
LOREN INDUSTRIES

12226 Coast Drive
Whittier, CA 90601
Tel: (562) 946-7545
Fax: (562) 949-5707
St. Lic.: 455415
Los Angeles, CA



DRAWING/REVISION NO.:

11-20-0015

PAGE NO.:

14 OF **19**

CLIENT:

POPEYES

ADDRESS

1343 S Gilbert Rd.
Mesa, AZ 85204

Approval Signature

DATE:

11/24/2020

PROJECT MANAGER

Dave P.

DESIGNER:

EC

REVISION DATE:

REVISION BY:

ALL IDEAS, PLANS, AND ELECTRONIC ART INDICATED ON THIS DRAWING ARE COPYRIGHTED AND OWNED BY LOREN ELECTRIC SIGN CORPORATION AND SHALL NOT BE REPRODUCED, USED BY OR DISCLOSED TO ANY PERSONS, FIRM OR CORPORATION FOR ANY PURPOSE WHATSOEVER WITHOUT PERMISSION OF LOREN ELECTRIC SIGN CORPORATION.



LOREN

LOREN INDUSTRIES

12226 Coast Drive
Whittier, CA 90601

Tel: (562) 946-7545
Fax: (562) 949-5707

St. Lic.: 455415

Los Angeles, CA



DRAWING/REVISION NO.:

11-20-0015

PAGE NO.:

15 OF 19

CLIENT:

POPEYES

ADDRESS

1343 S Gilbert Rd.
Mesa, AZ 85204

Approval Signature

DATE:

11/24/2020

PROJECT MANAGER

Dave P.

DESIGNER:

EC

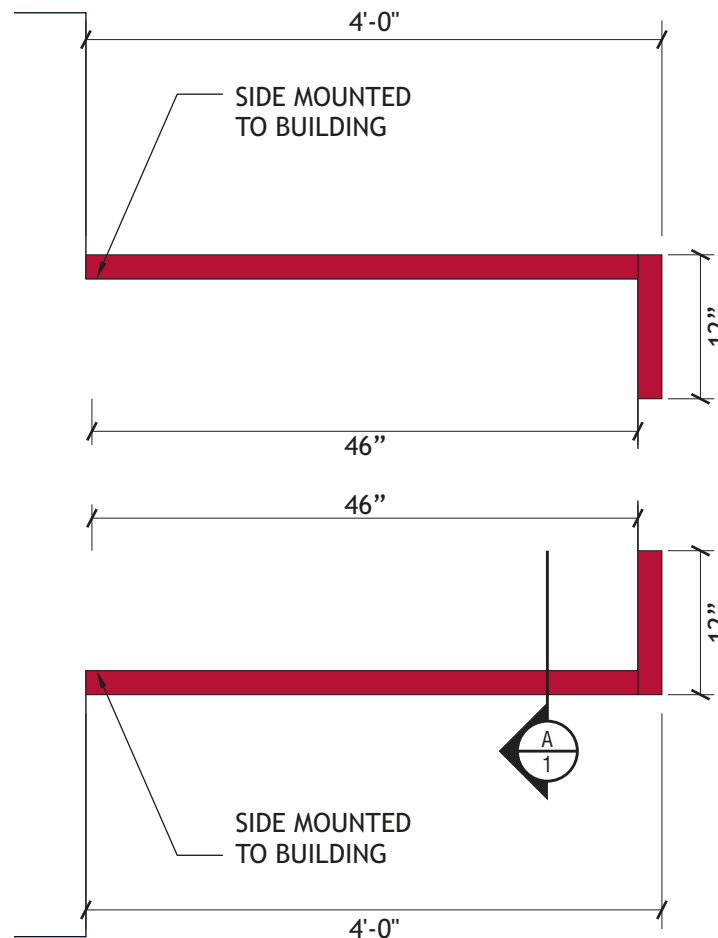
REVISION DATE:

REVISION BY:

ALL IDEAS, PLANS, AND ELECTRONIC ART INDICATED ON THIS DRAWING ARE COPYRIGHTED AND OWNED BY LOREN ELECTRIC SIGN CORPORATION AND SHALL NOT BE REPRODUCED, USED BY OR DISCLOSED TO ANY PERSONS, FIRM OR CORPORATION FOR ANY PURPOSE WHATSOEVER WITHOUT PERMISSION OF LOREN ELECTRIC SIGN CORPORATION.

RIGHT ELEVATION

TOP VIEW



.063 ALUMINUM
PAINTED TO MATCH
PMS 187 RED
MATTE FINISH

LEFT ELEVATION

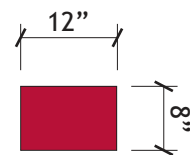
TOP VIEW

Scale: 3/4"=1'-0"

NOTE
EXACT LENGTHS TO BE CUT
IN THE FIELD BY INSTALLER

(QTY: 2)

FRONT VIEW

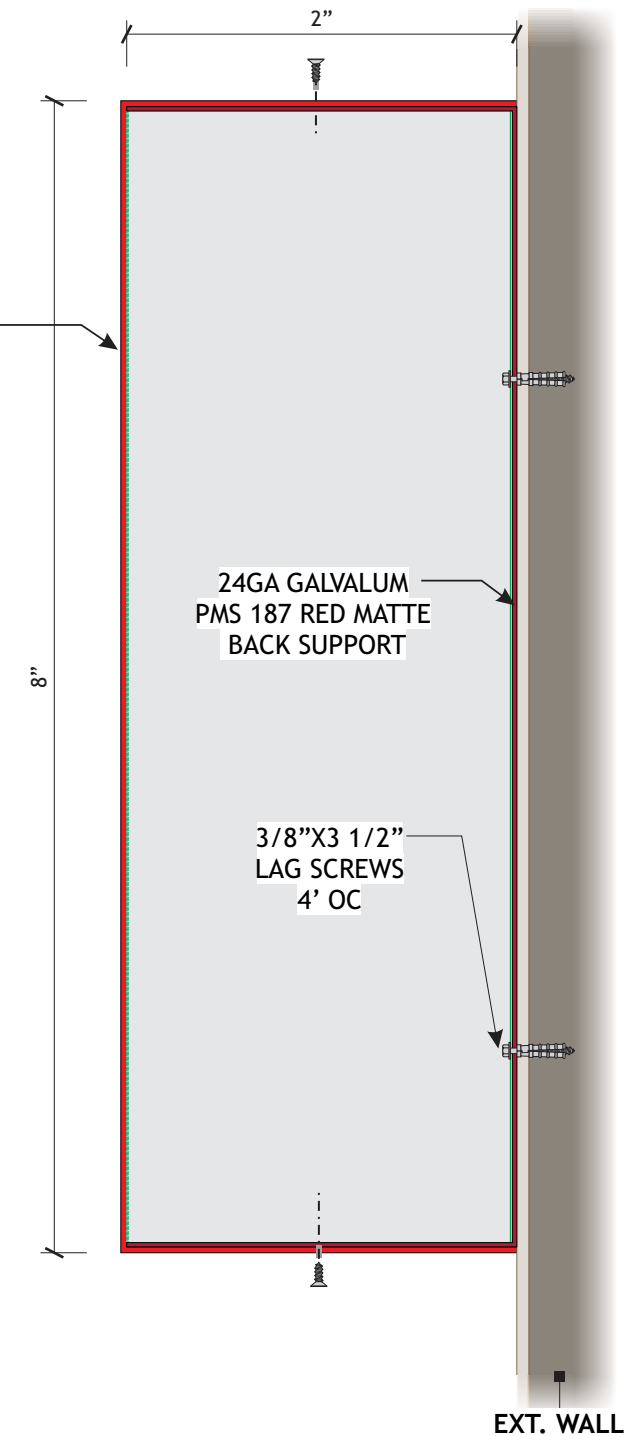


(QTY: 2)

FRONT VIEW



.063 ALUMINUM
PAINTED TO MATCH
PMS 187 RED
MATTE FINISH



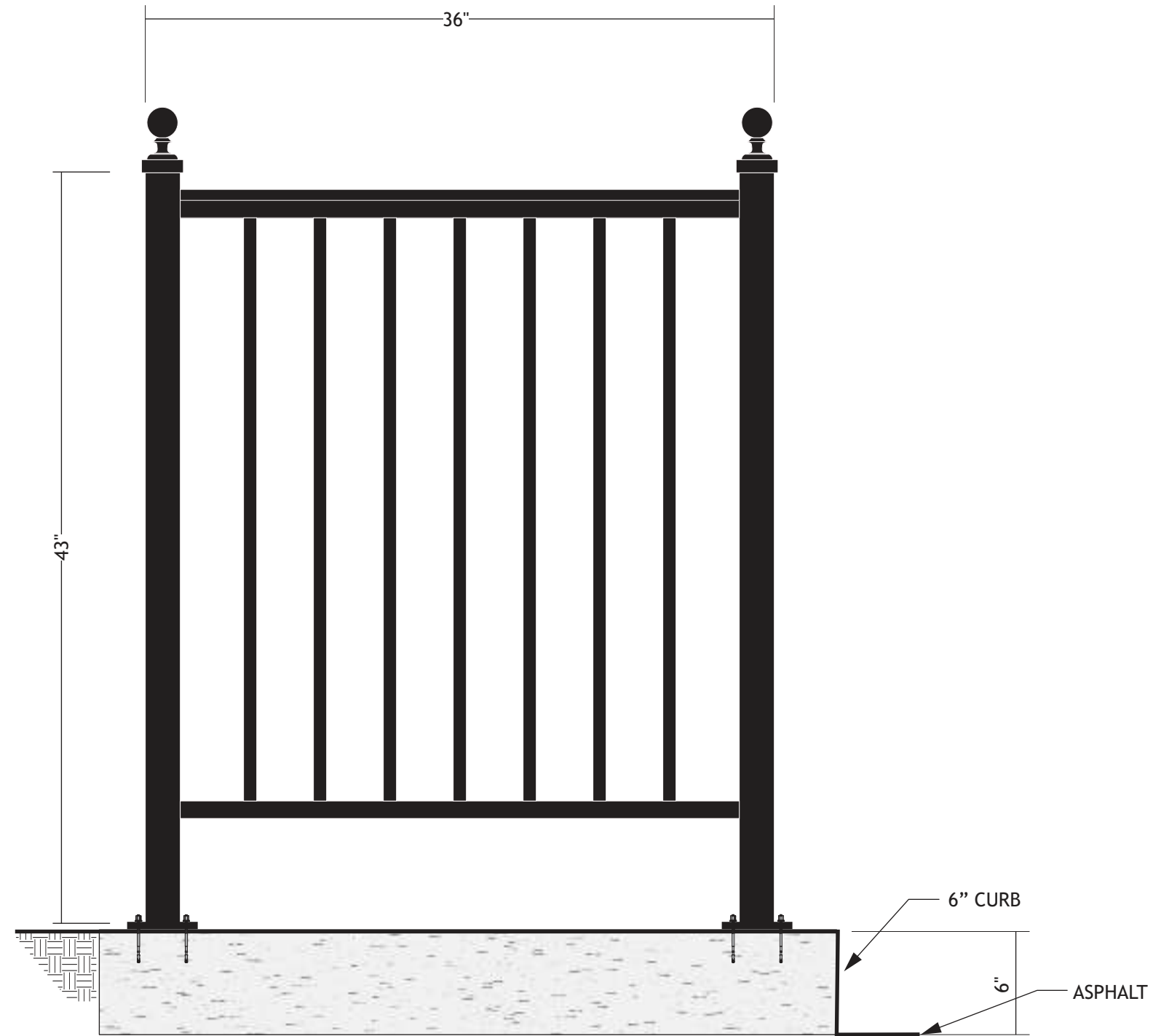
SECTION DETAIL

Scale: NTS

N10

NON-ILLUMINATED 8" TALL BUILDING FASCIA BAND (SIMPLE DESIGN)

Scale: 1/2"=1'-0"



SPECIFICATIONS:
 1. ALUMINUM SQUARE TUBE RAILINGS
 2. PAINT - BLACK

N11

GUARD RAIL WITH PLATE

FRONT VIEW

SCALE: 1 1/2" = 1'-0"



LOREN

LOREN INDUSTRIES

12226 Coast Drive
 Whittier, CA 90601

Tel: (562) 946-7545

Fax: (562) 949-5707

St. Lic.: 455415

Los Angeles, CA



DRAWING/REVISION NO.:

11-20-0015

PAGE NO.:

16 OF 19

CLIENT:

POPEYES

ADDRESS

1343 S Gilbert Rd.
 Mesa, AZ 85204

Approval Signature

DATE:

11/24/2020

PROJECT MANAGER

Dave P.

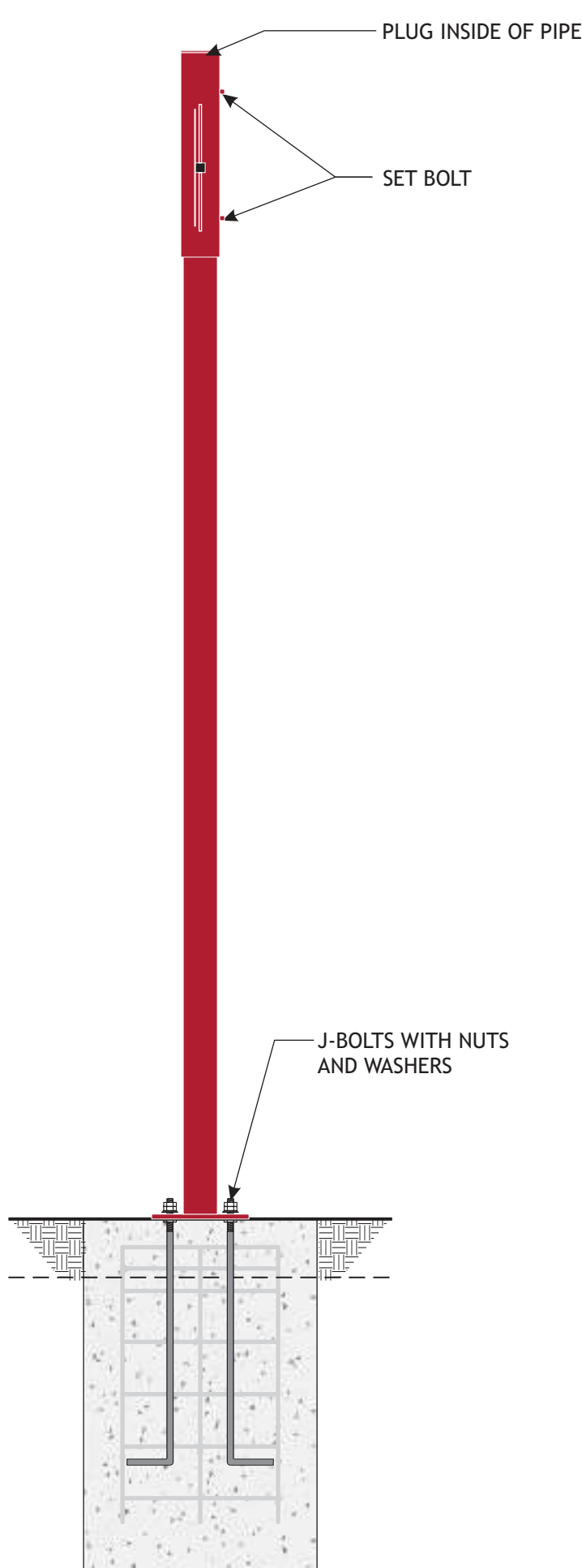
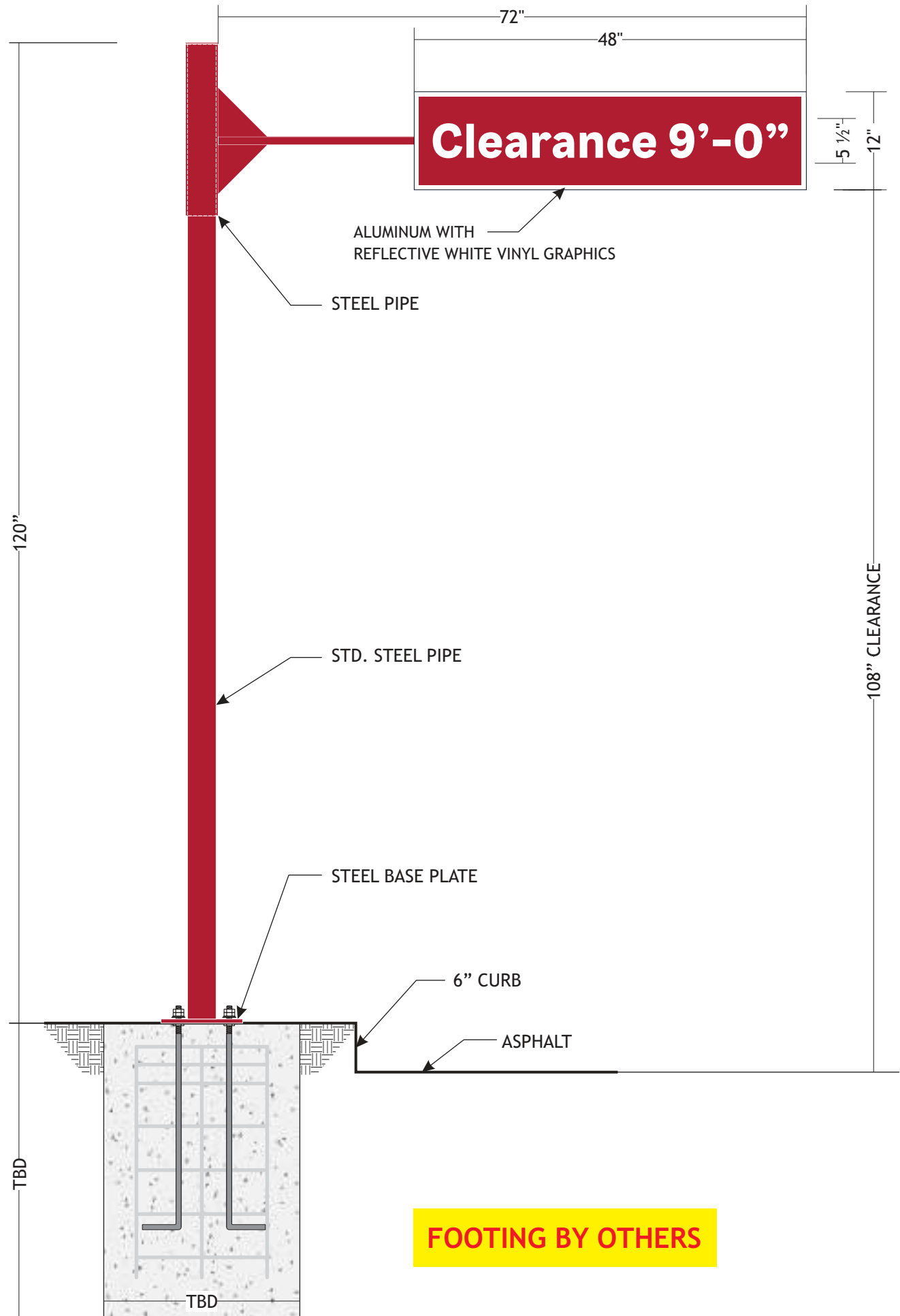
DESIGNER:

EC

REVISION DATE:

REVISION BY:

ALL IDEAS, PLANS, AND ELECTRONIC ART INDICATED ON THIS DRAWING ARE COPYRIGHTED AND OWNED BY LOREN ELECTRIC SIGN CORPORATION AND SHALL NOT BE REPRODUCED, USED BY OR DISCLOSED TO ANY PERSONS, FIRM OR CORPORATION FOR ANY PURPOSE WHATSOEVER WITHOUT PERMISSION OF LOREN ELECTRIC SIGN CORPORATION.



SPECIFICATIONS:

1. ALUMINUM PANEL WITH REFLECTIVE WHITE VINYL GRAPHICS
2. TUBE STEEL HORIZONTAL ARM
3. PIPE SLEEVE, WITH CAP PLATE
4. PIPE MAIN SUPPORT
5. STEEL BASE PLATE
6. STEEL J-BOLTS
7. PAINT - RED

NOTE:
 TEMPLATE OF BASE PLATE &
 J-BOLTS TO SHIP AHEAD OF PIPE.



LOREN INDUSTRIES

12226 Coast Drive
 Whittier, CA 90601
 Tel: (562) 946-7545
 Fax: (562) 949-5707
 St. Lic.: 455415
 Los Angeles, CA



DRAWING/REVISION NO.:
11-20-0015

PAGE NO.:
17 OF 19

CLIENT:
POPEYES

ADDRESS
 1343 S Gilbert Rd.
 Mesa, AZ 85204

Approval Signature

DATE:
11/24/2020

PROJECT MANAGER
Dave P.

DESIGNER:
EC

REVISION DATE:

REVISION BY:

ALL IDEAS, PLANS, AND ELECTRONIC ART INDICATED ON THIS DRAWING ARE COPYRIGHTED AND OWNED BY LOREN ELECTRIC SIGN CORPORATION AND SHALL NOT BE REPRODUCED, USED BY OR DISCLOSED TO ANY PERSONS, FIRM OR CORPORATION FOR ANY PURPOSE WHATSOEVER WITHOUT PERMISSION OF LOREN ELECTRIC SIGN CORPORATION.

N12 CLEARANCE BAR
 FRONT VIEW

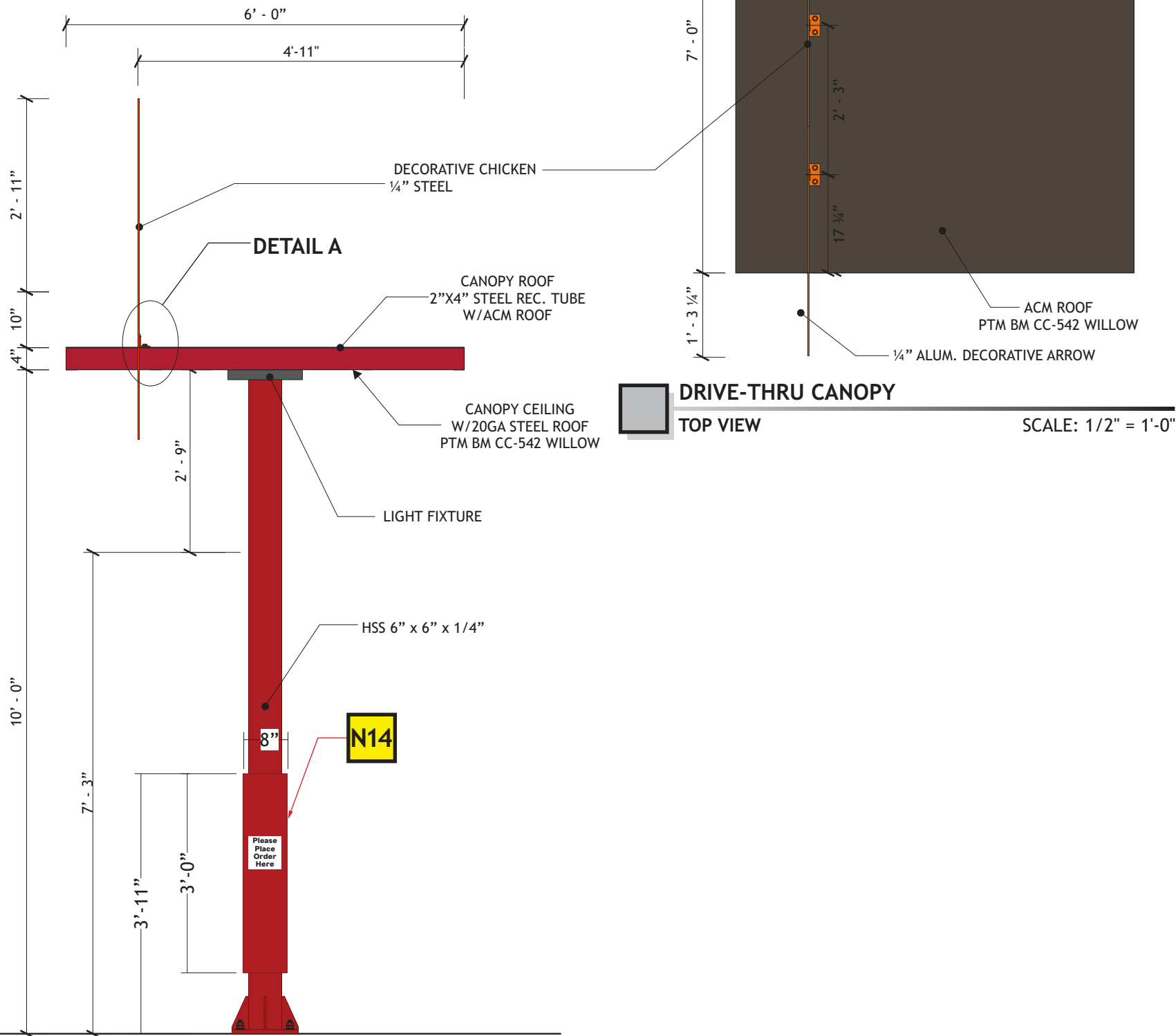
SCALE: 3/4" = 1'-0"

CLEARANCE BAR
 SIDE VIEW

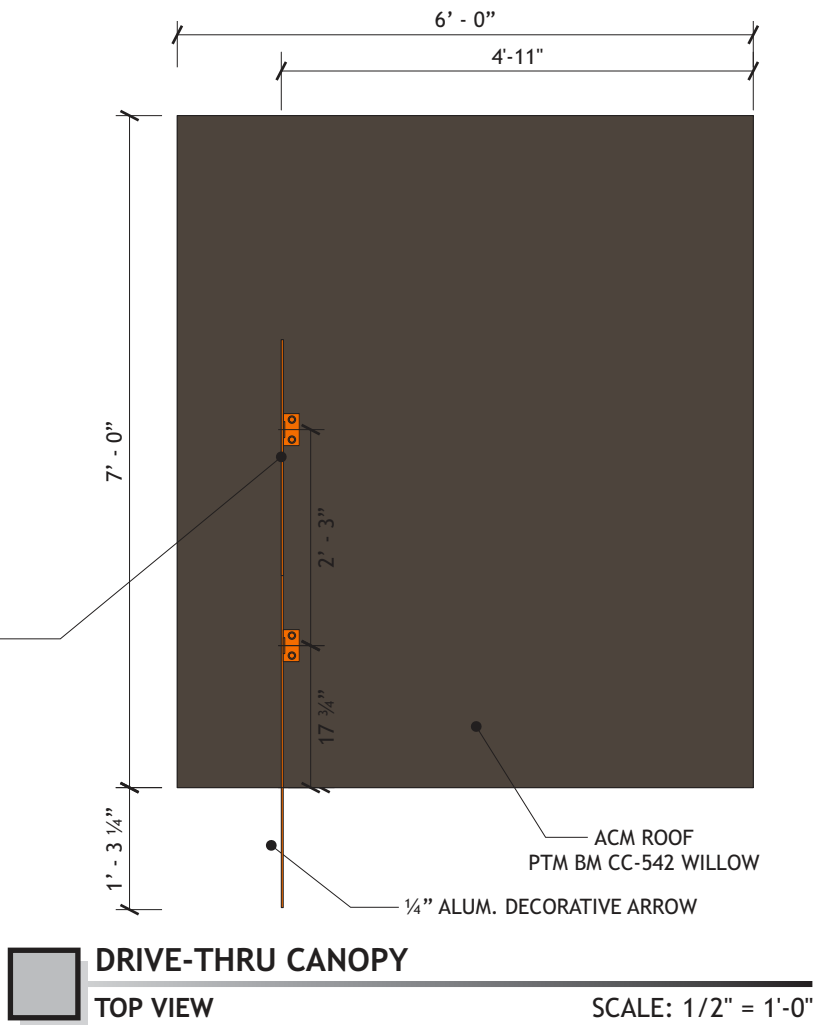
SCALE: 3/4" = 1'-0"

COLOR

- PMS 187C RED
- BM CC-542 WILLOW
- PMS 3564C

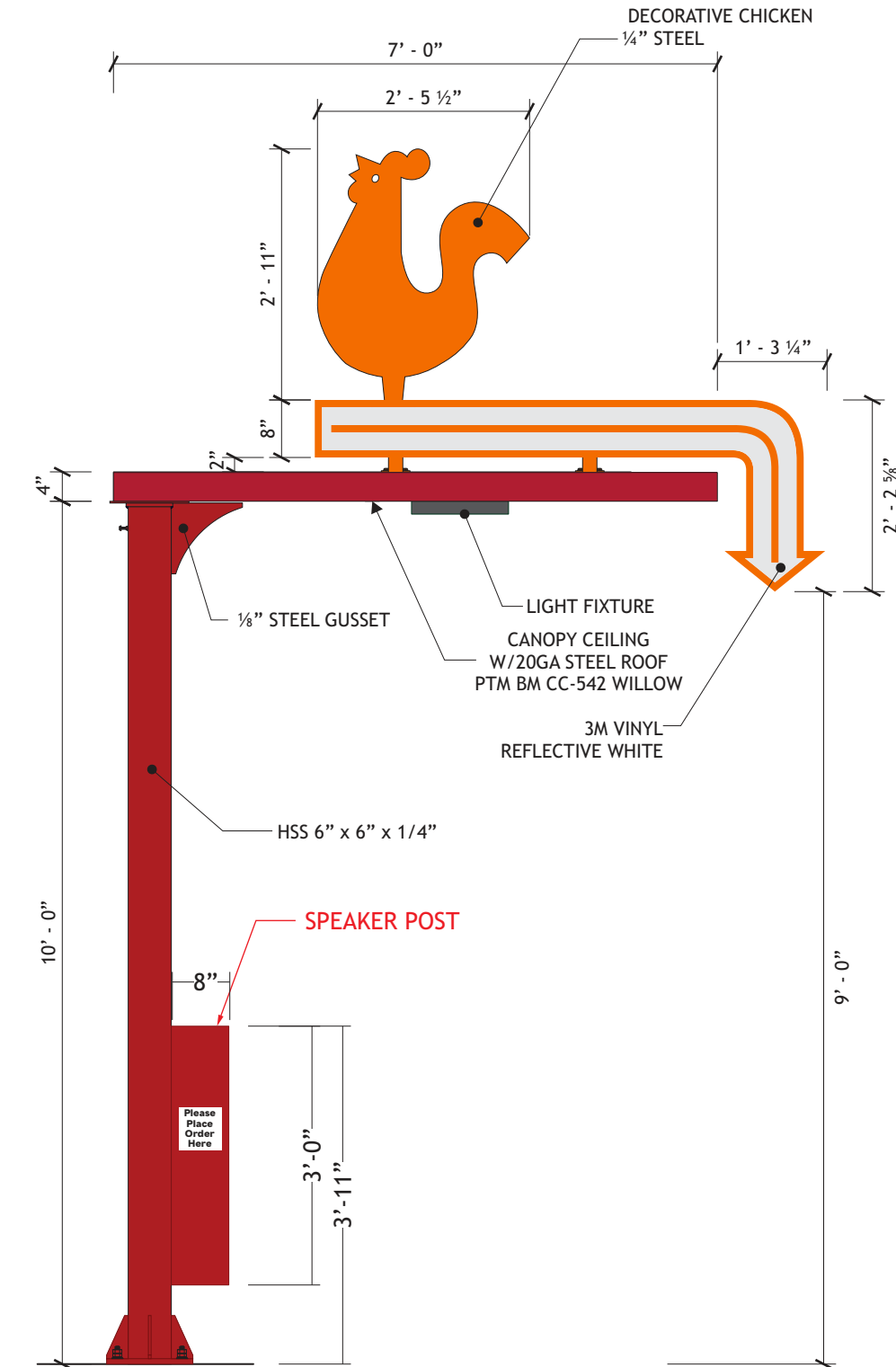


N13 DRIVE-THRU CANOPY FRONT VIEW SCALE: 1/2" = 1'-0"



DRIVE-THRU CANOPY TOP VIEW SCALE: 1/2" = 1'-0"

FOOTING BY OTHERS



DRIVE-THRU CANOPY SIDE VIEW SCALE: 1/2" = 1'-0"



LOREN INDUSTRIES

12226 Coast Drive
Whittier, CA 90601
Tel: (562) 946-7545
Fax: (562) 949-5707
St. Lic.: 455415
Los Angeles, CA



DRAWING/REVISION NO.:
11-20-0015

PAGE NO.:
18 OF **19**

CLIENT:
POPEYES

ADDRESS
1343 S Gilbert Rd.
Mesa, AZ 85204

Approval Signature

DATE:
11/24/2020

PROJECT MANAGER
Dave P.

DESIGNER:
EC

REVISION DATE:

REVISION BY:

ALL IDEAS, PLANS, AND ELECTRONIC ART INDICATED ON THIS DRAWING ARE COPYRIGHTED AND OWNED BY LOREN ELECTRIC SIGN CORPORATION AND SHALL NOT BE REPRODUCED, USED BY OR DISCLOSED TO ANY PERSONS, FIRM OR CORPORATION FOR ANY PURPOSE WHATSOEVER WITHOUT PERMISSION OF LOREN ELECTRIC SIGN CORPORATION.



QTY: 2

.150" IMPACT MODIFIED ACRYLIC FACE W/ 2ND SURFACE VINYL GRAPHICS

N15 MONUMENT TENANT PANELS

Scale: 3/4"=1'-0"

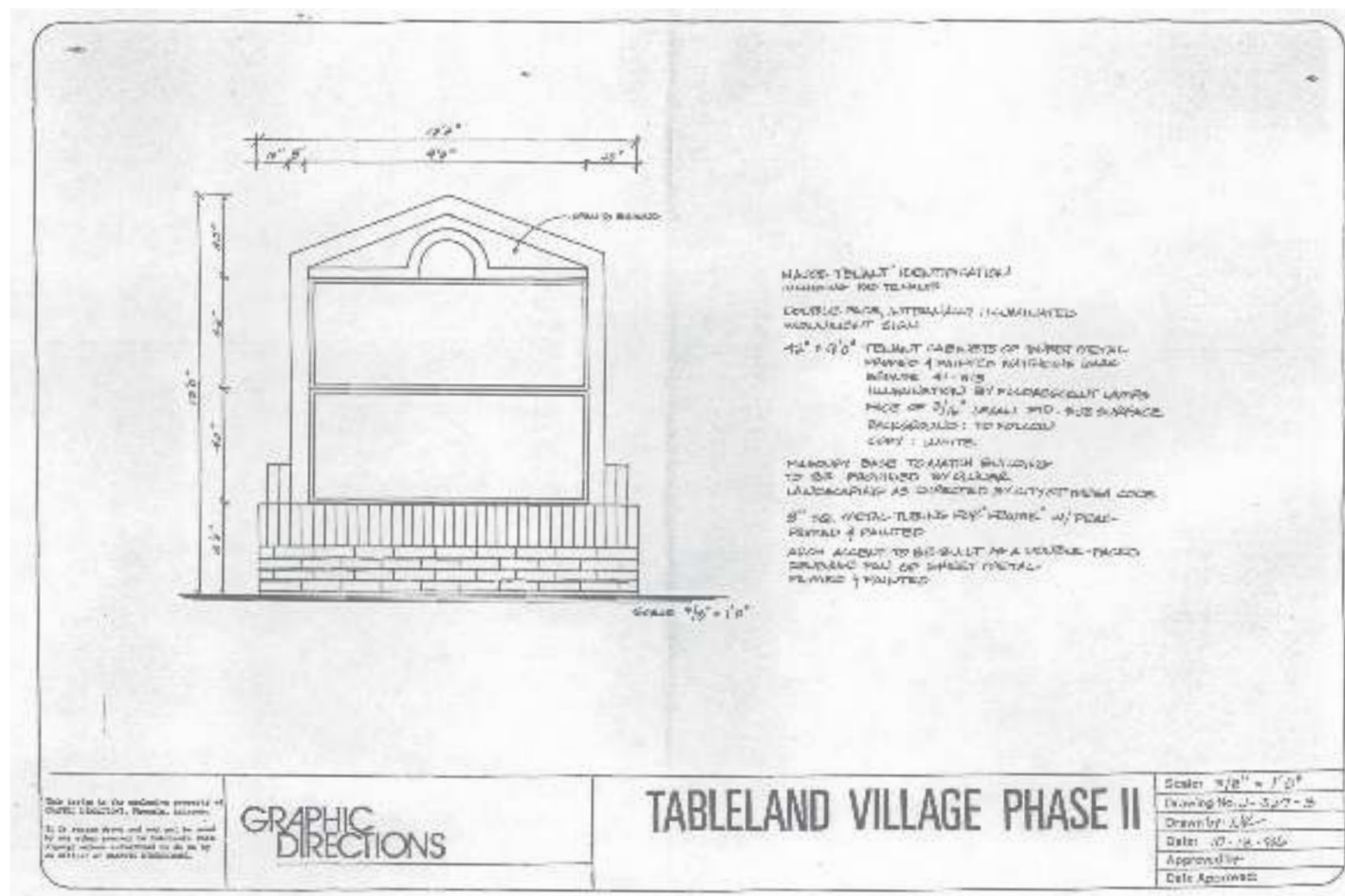


PROPOSED

NTS

COLOR SPECIFICATIONS:

- PMS 3564C - 3M 3630-84 TANGERINE
- WHITE - 3M 3630-20 WHITE
- BLACK PAINT



PANEL DETAILS



LOREN INDUSTRIES

12226 Coast Drive
Whittier, CA 90601
Tel: (562) 946-7545
Fax: (562) 949-5707
St. Lic.: 455415

Los Angeles, CA



DRAWING/REVISION NO.:
11-20-0015

PAGE NO.:
19 OF 19

CLIENT:
POPEYES

ADDRESS
1343 S Gilbert Rd.
Mesa, AZ 85204

Approval Signature

DATE:
11/24/2020

PROJECT MANAGER
Dave P.

DESIGNER:
EC

REVISION DATE:

REVISION BY:

ALL IDEAS, PLANS, AND ELECTRONIC ART INDICATED ON THIS DRAWING ARE COPYRIGHTED AND OWNED BY LOREN ELECTRIC SIGN CORPORATION AND SHALL NOT BE REPRODUCED, USED BY OR DISCLOSED TO ANY PERSONS, FIRM OR CORPORATION FOR ANY PURPOSE WHATSOEVER WITHOUT PERMISSION OF LOREN ELECTRIC SIGN CORPORATION.