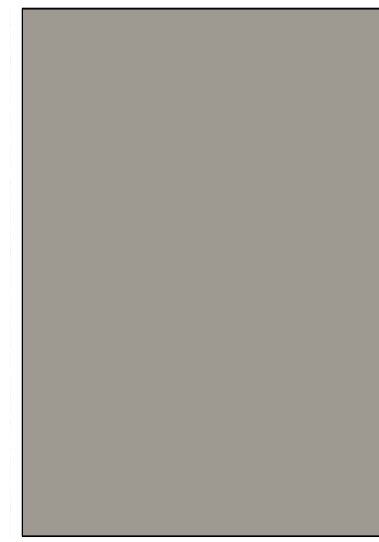


5 WINDOW SILL - SIDING PANEL

1 1/2" = 1'-0" REF: /



EL DORADO STONE
MADRONA
"CUT COARSE STONE"



STUCCO, SMOOTH
SW 9170
"ACIER"



CEMENT BOARD
SW 7068
"GRIZZLE GRAY"

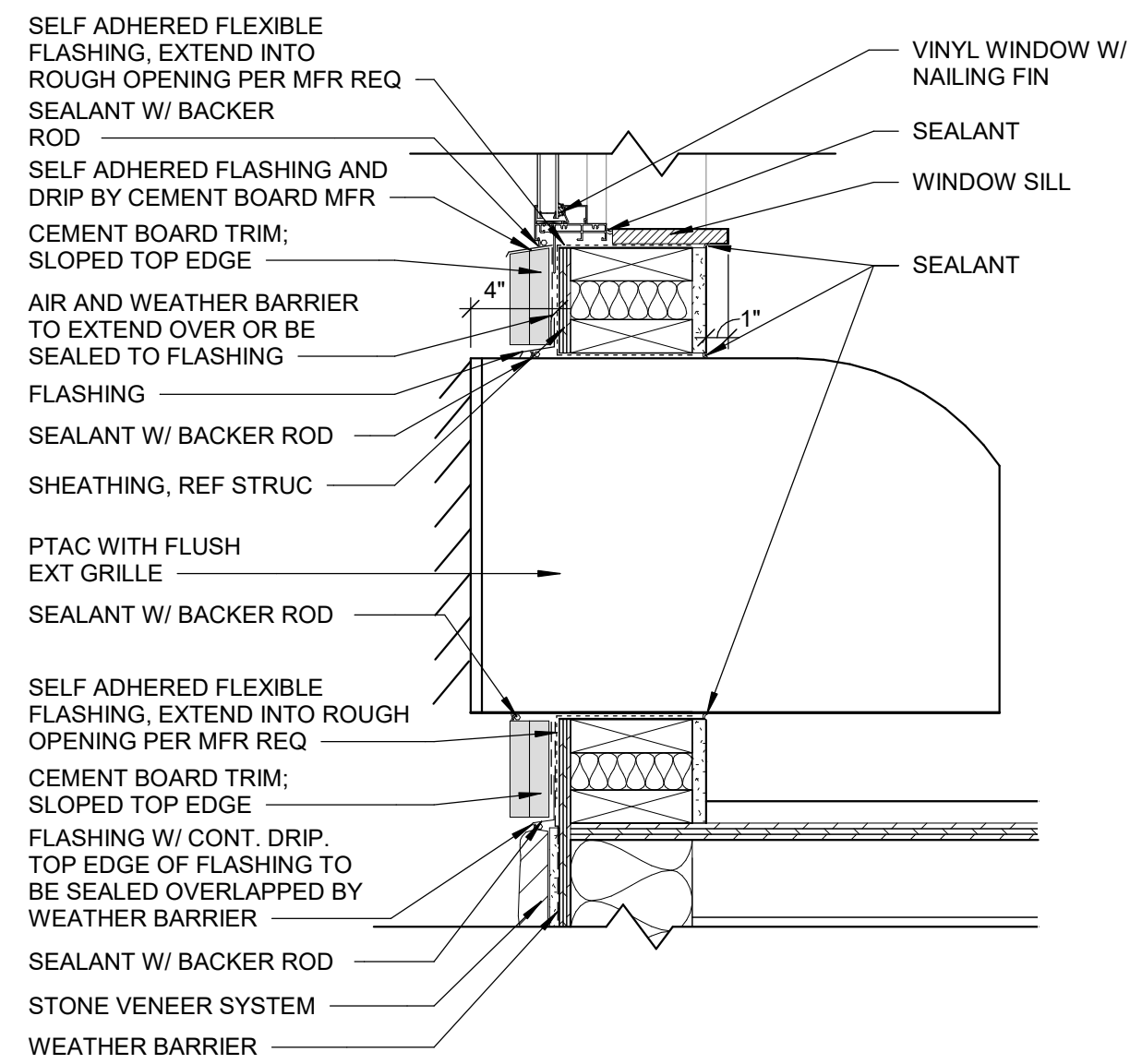


CEMENT BOARD
WOODTONE
"WINCHESTER BROWN"



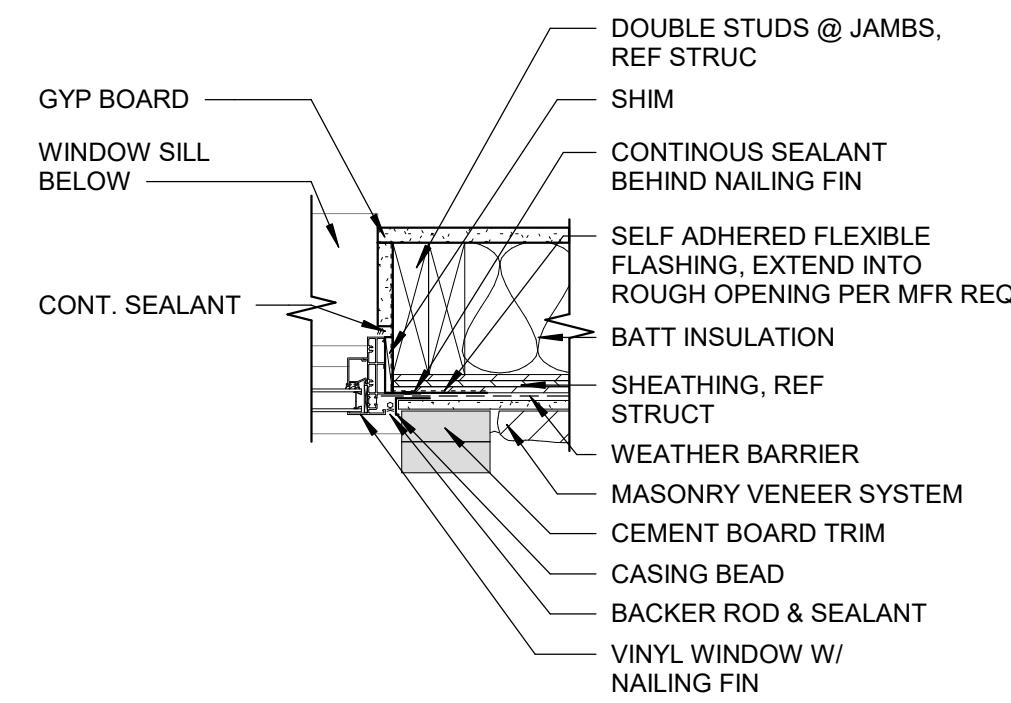
ROOFING
WHITE TPO

MATERIALS



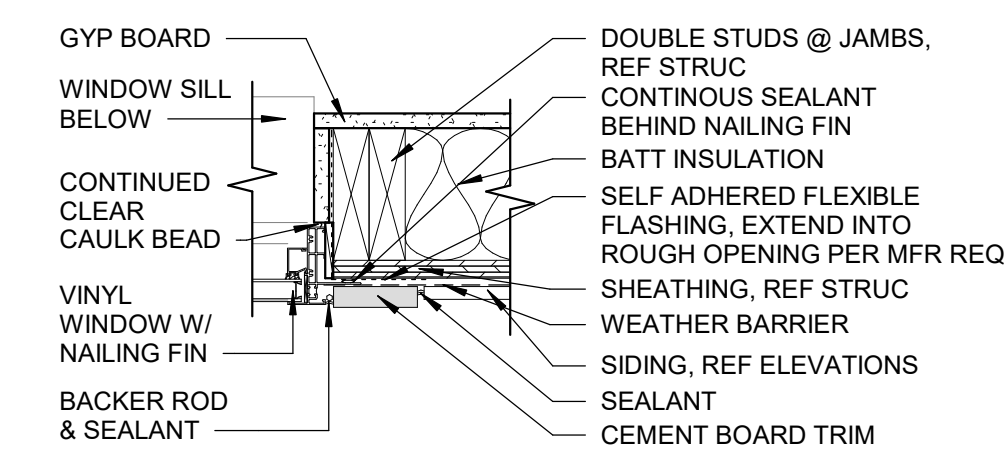
4 WINDOW SILL - STONE

1 1/2" = 1'-0" REF: /



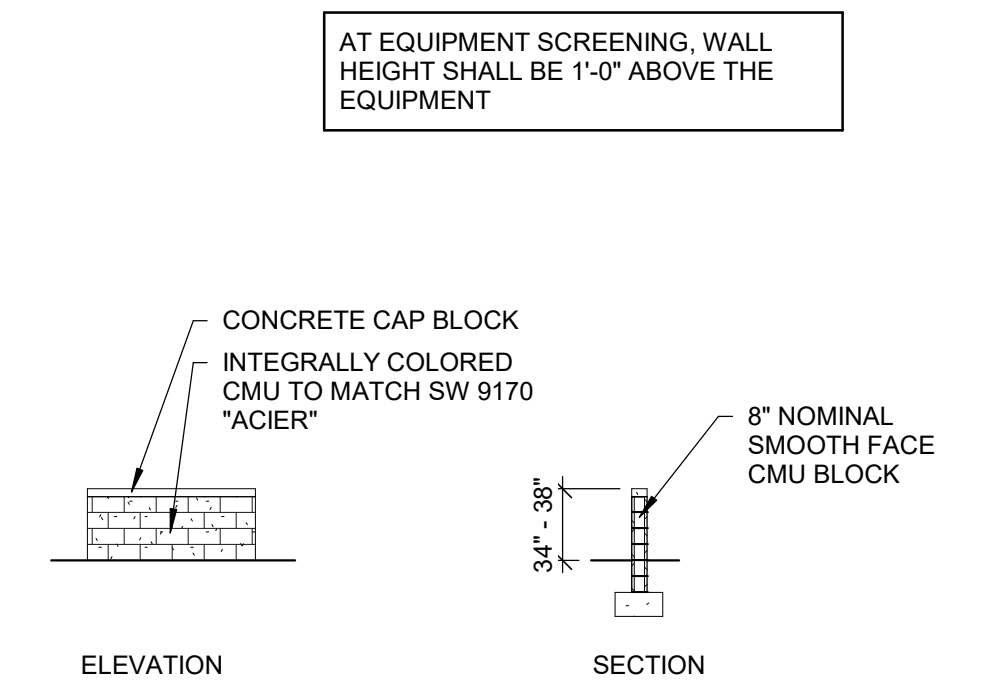
3 WINDOW JAMB - STONE

1 1/2" = 1'-0" REF: /



2 WINDOW JAMB - SIDING

1 1/2" = 1'-0" REF: /



1 SCREEN WALL

1/8" = 1'-0" REF: SD 1 / 1