
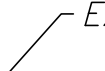

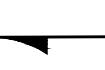
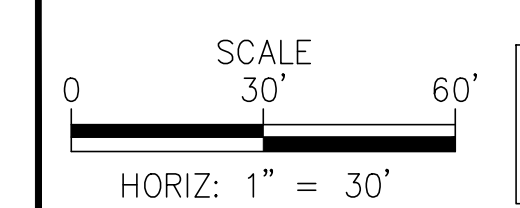


LEGEND

-  GRATE
-  SPOT ELEVATION
-  EXISTING ELEVATION
-  FLOW PATTERN



811 Know what's below.
Call before you dig.
1-800-782-5348

REV NO.	COMMENT	DATE

SUNRISE ENGINEERING
2045 SOUTH VINEYARD, SUITE 101
MESA, ARIZONA 85210
TEL 480.768.8600
www.sunrise-eng.com

**W 250 MAIN ST
PRELIMINARY GRADING AND DRAINAGE PLAN**

SET NO.	DESIGNED	DRAWN	CHECKED	DATE
00000	XXX	XXX	XXX	

of X

DRAINAGE NOTES:
THE EXISTING FLOW PATTERNS WILL BE MAINTAINED AND THE PRE VS. POST IMPROVEMENTS WILL NOT INCREASE EXISTING FLOWS LEAVING THE SITE.

P:\Vivo Investments\07777 250 W Main\Draw\Plan Sets\Prelim Grading\250-gb-gbl.dwg Jan 20, 2021 3:39pm along