

CITY OF MESA FIRE AND MEDICAL STATION 223

BENCHMARK: DD
7/31/24
NORTH ELEVATION= (C.O.M. DATUM)

PROJECT TEAM

OWNER

MESA FIRE AND MEDICAL DEPARTMENT
13 W 1ST STREET
MESA, AZ 85201
CONTACT:
PHONE: (480) 644-2101
EMAIL: FIREINFO@MESAAZ.GOV

ARCHITECT

PERLMAN ARCHITECTS
2929 N. CENTRAL AVE, STE 1600
PHOENIX, AZ 85012-2727
CONTACT: JUAN RIVAS
PHONE: (602) 837-4703
EMAIL: JUANR@PERLMANAZ.COM

CIVIL ENGINEER

CIVIL DESIGN SOLUTIONS, LLC
10910 W PALM LN,
AVONDALE, AZ 85392
CONTACT: BILL GASQUE
PHONE: (480) 205-8434
EMAIL: BGASQUE@CDSELLC-AZ.NET

LANDSCAPE ARCHITECT

LOGAN SIMPSON, INC.
51 W. THIRD ST. SUITE 450
TEMPE, ARIZONA 85281
CONTACT: WILL HERRERA
PHONE: (480) 967-1343
EMAIL: WHERRERA@LOGANSIMPSON.COM

GENERAL LANDSCAPE NOTES

- LANDSCAPE CONTRACTOR SHALL CONFIRM LOCATION OF ALL UNDERGROUND UTILITIES PRIOR TO ANY EXCAVATION AND SHALL BE RESPONSIBLE FOR THE FOLLOWING:
- DAMAGES TO SUCH UTILITIES CAUSED AS A RESULT OF THE CONTRACTOR'S ACTIVITIES.
- DAMAGES TO EXISTING WALKS, WALLS, DRIVES, CURBS, ETC.
- INSPECTING THE SITE IN ORDER TO BE FULLY AWARE OF EXISTING CONDITIONS PRIOR TO SUBMITTING A BID.
- INSTALLATION OF ALL LANDSCAPE AND IRRIGATION MATERIALS SHALL COMPLY WITH SECTIONS 424, 425, 757, AND 795 OF THE MAG STANDARD SPECIFICATIONS.
- CONTRACTOR SHALL REPAIR ANY DAMAGE MADE TO THE EXISTING SPRINKLER SYSTEM TO THE SATISFACTION OF THE CITY AT NO ADDITIONAL COST TO THE CITY.
- LANDSCAPE REMOVAL IS A NON-PAY ITEM UNLESS OTHERWISE NOTED.
- ALL EXISTING VEGETATION, WEEDS, DEBRIS, ETC. NOTED TO BE REMOVED ON THE PLANS AND SPECIFICATIONS SHALL BE REMOVED FROM PROJECT AREA AND DISPOSED OF PROPERLY OFF THE SITE AT THE CONTRACTOR'S EXPENSE (SCARIFY EXISTING SUBGRADE, MINIMUM SIX (6) INCHES DEPTH).
- DAMAGE TO TURF SHALL BE REPAIRED BY CONTRACTOR, I.E., RUTS FILLED WITH CLEAN SOIL, COMPACTED TO MATCH SURROUNDING GRADES, EXCESS SOIL, ROCK, ETC. SHALL BE REMOVED TO LEAVE THE SITE CLEAN.
- ALL PLANT MATERIAL, OTHER THAN TREES, SHALL CONFORM TO GRADING, TYPE, ETC. AS SET FORTH IN THE AMERICAN STANDARD FOR NURSERY STOCK BY THE AMERICAN ASSOCIATION OF NURSERYMEN. ALL TREES SHALL CONFORM TO THE CURRENT ARIZONA NURSERY ASSOCIATION TREE SPECIFICATIONS AND MAG SPEC 795.7. SHOULD ANY CONFLICTS IN THE SPECIFICATIONS OCCUR, THE ARIZONA NURSERY ASSOCIATION'S SPECIFICATIONS SHALL PREVAIL.
- CITY RESERVES THE RIGHT TO INSPECT SHRUBS AND CONTAINERED TREES FOR CONDITION OF ROOT BALLS. FOR ANY SUCH INSPECTIONS WHICH MAY DESTROY ROOTBALL, CONTRACTOR SHALL SUPPLY ADDITIONAL PLANT AT NO COST TO CITY.
- PLANT PITS SHALL BE INSPECTED BY CITY PRIOR TO PLANTING BY THE CONTRACTOR BY REQUESTING AN INSPECTION 48 HOURS IN ADVANCE.
- ROUGH AND FINE GRADING TO ESTABLISH UNIFORM SMOOTH GRADE IS INCLUDED IN THIS PROJECT.
- SOIL TEST FOR FERTILITY AND ADDITIVE RECOMMENDATIONS (FOR TURF AND ORNAMENTALS) SHALL BE COMPLETED BY CONTRACTOR TO DETERMINE IF ADDITIVES ARE REQUIRED. CONTRACTOR SHALL PROVIDE COPY OF SOIL TEST RESULTS FOR REVIEW AND APPROVAL TO ENGINEERING INSPECTOR AT LEAST SEVEN (7) DAYS PRIOR TO ANTICIPATED PLANTING. AFTER APPROVAL BY THE CITY, THE CONTRACTOR SHALL PROVIDE AND INCORPORATE ANY ADDITIVES REQUIRED PRIOR TO OR AT TIME OF PLANTING.
- PLANT PIT SOIL MIXTURE SHALL CONSIST OF FOUR AND ONE-HALF PARTS NATURAL FERTILE, FRIABLE SOIL AND ONE PART HUMUS BY VOLUME, THOROUGHLY MIXED PRIOR TO BACKFILLING IN PITS. BACKFILLING SHALL BE IN 6" LIFTS WITH EACH LIFT WATER SETTLED WITHOUT PUDDLING.
- CONTRACTOR SHALL STAKE TREE AND SHRUB LOCATIONS FOR 5-GALLON PLANTS AND LARGER. STAKES SHALL BE MARKED WITH PLANT NAME OR PLANT LEGEND ITEM NUMBER FROM PLANS.
- ALL EXISTING (GAS, ELECTRIC, WATER, ETC.) COVERS AND BOXES SHALL REMAIN UNCOVERED. CONTRACTOR TO ADJUST TO FINAL GRADE AS NECESSARY. NON-PAY ITEM (NPI) UNLESS OTHERWISE NOTED.
- THE CONTRACTOR SHALL BE RESPONSIBLE FOR LOCATING THE UNDERGROUND SPRINKLER SYSTEMS IN ADVANCE OF CONSTRUCTION. THE SPRINKLER SYSTEM LOCATIONS NOTED ON PLANS ARE FOR REFERENCE ONLY.
- CONTRACTOR TO VERIFY DEPTH OF ALL INLET STRUCTURES AND SPRINKLER SYSTEMS PRIOR TO TRENCHING FOR LOW-FLOW CHANNEL.
- CONTRACTOR TO PROVIDE PUMPING WITHIN FIVE (5) DAYS AFTER THE NOTICE TO PROCEED IS GIVEN AS REQUIRED TO DRY THE AREA SUFFICIENTLY TO BEGIN CONSTRUCTION.
- CONTRACTOR SHALL ARRANGE FOR SPRINKLER SYSTEM SHUTDOWN DURING CONSTRUCTION BY CONTACTING THE ENGINEERING INSPECTOR.
- NO ROCKS LARGER THAN 1" IN DIAMETER SHALL BE ALLOWED IN THE TOP SIX (6) INCHES OF TOPSOIL WHERE TURF ESTABLISHMENT IS SPECIFIED. ROCK REMOVAL AS NECESSARY IS A NON-PAY (NPI) ITEM UNLESS OTHERWISE NOTED.
- WHERE CALICHE IS ENCOUNTERED IN PLANT PITS, DEPTH AND WIDTH OF PIT SHALL BE INCREASED BY ONE-THIRD (1/3) OVER SPECIFICATION, AND A LIQUID PENETRATOR, "AL-KALICHE" OR EQUAL, SHALL BE INCORPORATED FOR EACH PIT PER MANUFACTURER'S RECOMMENDATIONS.
- CONTRACTOR SHALL INSTALL DECOMPOSED GRANITE TO A ROLLED DEPTH PER THE APPROVED PLANS AND SPECIFICATIONS. DECOMPOSED GRANITE SHALL BE PER THE APPROVED PLANS AND SPECIFICATIONS WITH THE COLOR AS SPECIFIED ON THE PLANS. PRE-EMERGENT HERBICIDE SHALL BE APPLIED BEFORE AND AFTER PLACEMENT OF DECOMPOSED GRANITE PER THE MANUFACTURER'S RECOMMENDATIONS. PRE-EMERGENT HERBICIDE SHALL BE SURFLAN, DACTHAL, OR APPROVED EQUAL. SAMPLE TO BE PROVIDED FOR CITY REVIEW AND APPROVAL. CONTRACTOR SHALL WASH OFF ROCK MULCH ONCE FINAL PLACEMENT HAS OCCURRED.
- RESTORE ALL EXISTING LANDSCAPE IRRIGATION SYSTEMS, COMPONENTS AND LANDSCAPE AREAS IMPACTED BY ANY WORK UNDER THIS CONTRACT. RESTORE ALL EXISTING IRRIGATION AND LANDSCAPE IN ACCORDANCE WITH THE LANDSCAPE RESTORATION NOTES INDICATED WITHIN THESE DOCUMENTS. AT A MINIMUM, ALL RESTORATION SHALL BE IN ACCORDANCE WITH M.A.G. SPECIFICATION 107.9 - PROTECTION AND RESTORATION OF PROPERTY AND LANDSCAPE. ALL RESTORATION WORK SHALL BE COMPLETED TO THE SATISFACTION OF THE CITY OF MESA ENGINEER.

- ALL RESTORATION WORK SHALL BE COMPLETED IN ACCORDANCE WITH THE REFERENCED DETAILS AND ANY ADDITIONAL DETAILS PROVIDED.
- REFER TO LANDSCAPE PLANTING SHEETS AND ENGINEERING DRAWINGS FOR ADDITIONAL RESTORATION NOTES AND REQUIRED COORDINATION.

PLANTING

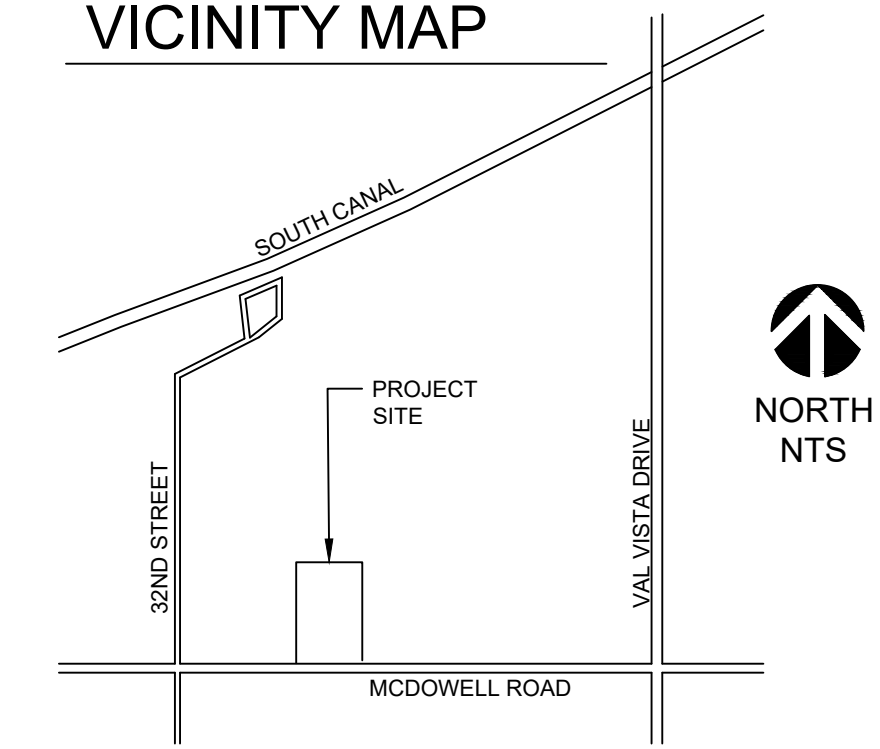
- ALL PLANT MATERIAL AND SPECIFICATIONS TO CONFORM TO THE ARIZONA NURSERY ASSOCIATION STANDARDS UNLESS OTHERWISE NOTED. THE OWNER'S REPRESENTATIVE RESERVES THE RIGHT TO REFUSE PLANT MATERIAL NOT MATCHING THE STANDARD FOR SIZE, HEALTH, AND FORM.
- DO NOT MAKE SUBSTITUTIONS; IF SPECIFIED LANDSCAPE MATERIAL IS NON-OBTAINABLE, SUBMIT PROOF OF NON-AVAILABILITY FROM AT LEAST FIVE SUPPLIERS TO OWNER'S REPRESENTATIVE, TOGETHER WITH A PROPOSAL FOR SUBSTITUTION OF EQUIVALENT MATERIAL FOR ACCEPTANCE.
- LAYOUT INDIVIDUAL TREE AND PLANT LOCATIONS AND AREAS FOR MULTIPLE PLANTINGS, STAKE LOCATIONS AND OUTLINE AREAS AND SECURE OWNER'S REPRESENTATIVE ACCEPTANCE BEFORE START OF PLANTING WORK. MAKE MINOR ADJUSTMENTS AS MAY BE DIRECTED.
- PLANT QUANTITIES LISTED IN THE LANDSCAPE SCHEDULE ARE FOR THE CONVENIENCE OF THE CONTRACTOR. IN THE CASE OF ANY DISCREPANCIES, PLANS SHALL OVERRIDE THE LANDSCAPE AND BID SCHEDULE QUANTITIES. CONTRACTOR SHALL VERIFY QUANTITIES SHOWN ON THE PLANS AND BASE THEIR BID ACCORDINGLY.
- ALL PLANT MATERIALS SHALL HAVE A MINIMUM SETBACK FROM EDGE OF CURBS, WALKS, WALLS, PADS, ETC. AS FOLLOWS UNLESS OTHERWISE DIRECTED BY THE OWNER'S REPRESENTATIVE AS FOLLOWS:
 - TREES 5 FOOT MINIMUM SETBACK
 - SHRUBS 3 FOOT MINIMUM SETBACK
 - GROUND COVER AN 18 INCH MINIMUM SETBACK
- EXCAVATE PLANTING PITS, AS SHOWN ON THE DRAWINGS AND SCHEDULES. LOOSEN HARD SUBSOIL IN BOTTOM OF EXCAVATION. TEST DRAINAGE OF TREE, SHRUB AND PLANT PITS BY FILLING WITH WATER TWICE IN SUCCESSION. CONDITIONS PERMITTING THE RETENTION OF WATER IN PLANTING PITS FOR MORE THAN TWENTY-FOUR (24) HOURS SHALL BE BROUGHT TO THE ATTENTION OF THE OWNER'S REPRESENTATIVE. DRAINAGE CHIMNEY WHEN AUTHORIZED, IF PLANT PIT DOES NOT DRAIN WITHIN 24 HOURS, THEN DRILL ONE (1) 6" DIAMETER X 24" DEEP HOLE. AT EDGE OF EXCAVATED PIT, RE-TEST PERCOLATION PER SPECIFICATIONS, CERTIFY PERCOLATION AND FILL HOLE WITH PEA GRAVEL. COORDINATE LOCATION WITH TREE STAKES.
- IF ROCK, UNDERGROUND CONSTRUCTION, ADVERSE DRAINAGE CONDITIONS, OR OTHER OBSTRUCTIONS ARE ENCOUNTERED IN EXCAVATION FOR PLANTING OF TREES, SHRUBS, OR PLANTS NOTIFY OWNER'S REPRESENTATIVE. NEW LOCATIONS MAY BE DETERMINED, OR INSTRUCTIONS MAY BE ISSUED TO DIRECT REMOVAL OF OBSTRUCTION. PROCEED WITH WORK ONLY AFTER APPROVAL OF OWNER'S REPRESENTATIVE.
- ALL PLANT BACKFILL MIXES SHALL BE AMENDED AS DESCRIBED ON THE LANDSCAPE DRAWING DETAILS, UNLESS SUPERCEDED BY SPECIFIC SOIL TESTING AND OR LANDSCAPE SPECIFICATIONS. BACKFILL MIX SHALL BE PLACED IN 6" LIFTS AND TAMPED INTO PLACE TO OBTAIN COMPACTION. NO TRANSPLANTING SHALL BE DONE WHEN SOIL IS EXCESSIVELY WET. DO NOT COUNTERSINK AROUND CACTI OR SUCCULENTS. PROVIDE POSITIVE DRAINAGE AWAY FROM PLANT.
- ALL SHRUBS SHALL HAVE A FULL HEAD THAT COVERS THE CAN DIAMETER (CAN FULL) AND A MINIMUM OF THREE STEMS/BRANCHES.
- PLANT BACKFILL MIX SHALL CONFORM TO LANDSCAPE DETAIL NOTES, UNLESS OTHERWISE SPECIFIED.
- FERTILIZER TABLETS SHALL BE AGRIFORM (21 GRAM 20-10-5) OR EQUAL. QUANTITY OF TABLETS SHALL BE PLACED 1/2 THE DEPTH OF THE ROOTBALL AT THE FOLLOWING RATE:
 - 1 TABLET PER 1 GALLON CONTAINER
 - 2 TABLETS PER 5 GALLON CONTAINER
 - 3 TABLETS PER 15 GALLON CONTAINER
 - 4 TABLETS PER 24" BOX
 - 6 TABLETS PER 36" BOX
 - 8 TABLETS PER 48" BOX
 - AT A RATE OF 1 TABLET PER EACH ADDITIONAL 6" BOX SIZE.

WHEN MULTIPLE QUANTITIES OF TABLETS ARE REQUIRED THEY SHALL BE EQUALLY SPACED AT THE SPECIFIED DEPTH.

SHEET INDEX

LC100	LANDSCAPE COVER
LI200	LANDSCAPE INVENTORY PLAN
HS200	HARDSCAPE PLAN
HS300	HARDSCAPE DETAILS
LS200	LANDSCAPE PLAN
LS300	LANDSCAPE DETAILS
LS301	LANDSCAPE DETAILS
IR200	IRRIGATION PLAN
IR300	IRRIGATION DETAILS
IR301	IRRIGATION DETAILS
IR302	IRRIGATION DETAILS
IR303	IRRIGATION DETAILS

VICINITY MAP



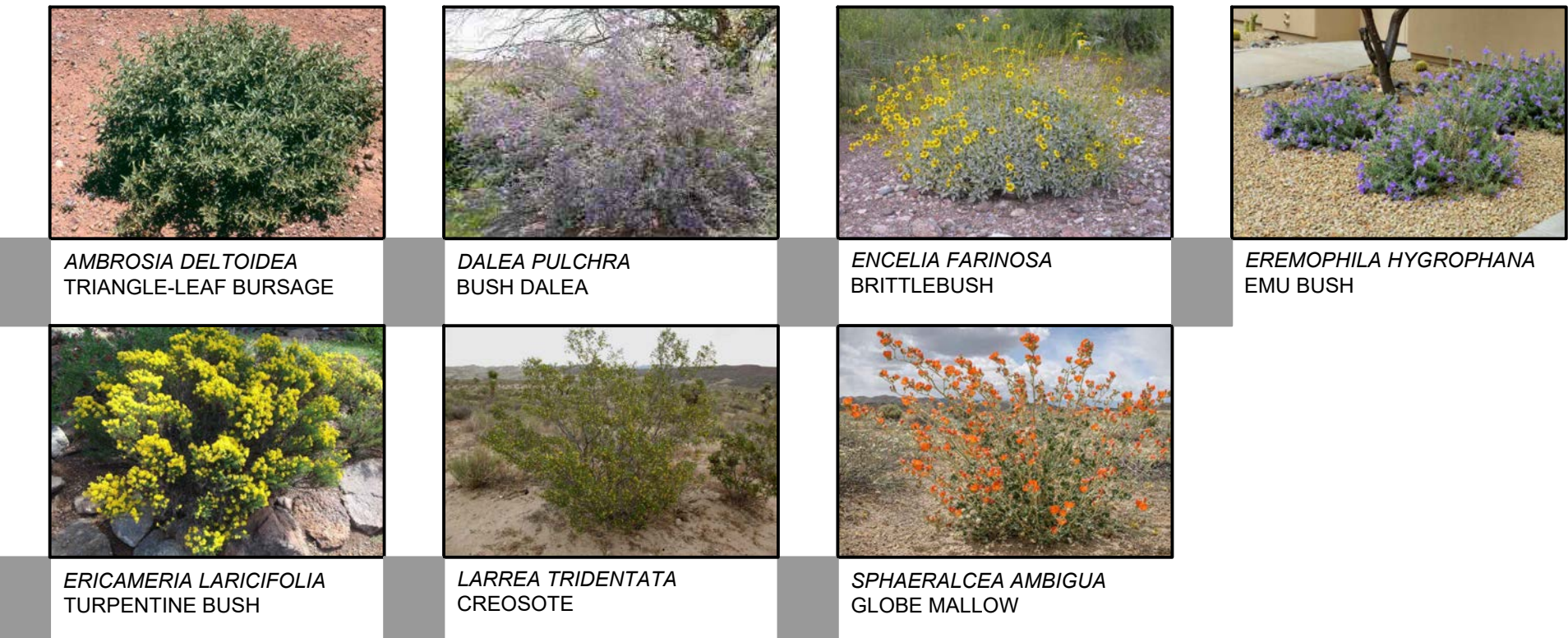
PLANT IMAGES

TREE



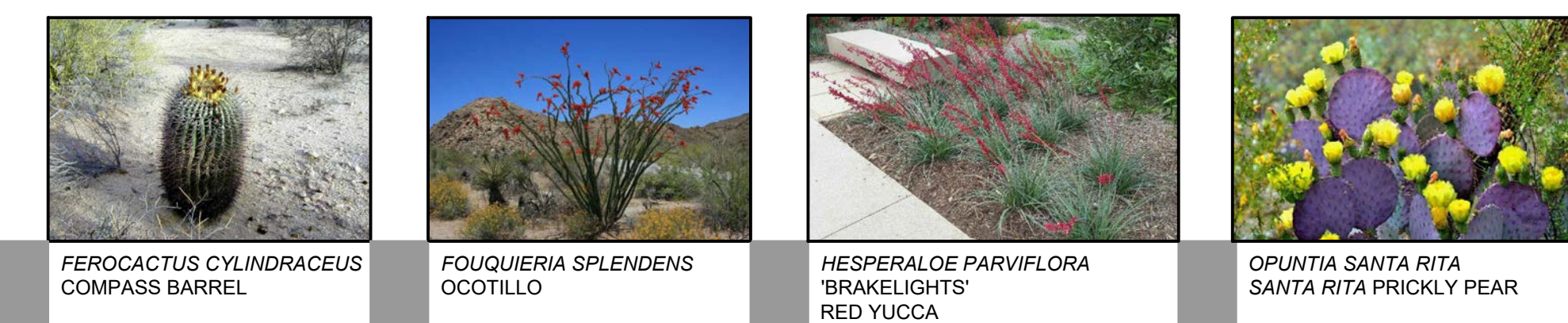
CAESALPINIA CACALACO CASCALOTE SMOOTHIE
CHILOPSIS LINEARIS DESERT WILLOW
OLNEYA TESOTA IRONWOOD
PARKINSONIA FLORIDA BLUE PALO VERDE
PARKINSONIA PRAECOX PALO BREA

SHRUB



AMBROSIA DELTOIDEA TRIANGLE-LEAF BURSAGE
DALEA PULCHRA BUSH DALEA
ENCELIA FARINOSA BRITTLEBUSH
EREMOPHILA HYGROPHANA EMU BUSH
ERICAMERIA LARICIFOLIA TURPENTINE BUSH
LARREA TRIDENTATA CREOSOTE
SPHAERALCEA AMBIGUA GLOBE MALLOW

ACCENTS



FEROCACTUS CYLINDRACEUS COMPASS BARREL
FOUQUIERIA SPLENDENS OCOTILLO
HESPERALOE PARVIFLORA 'BRAKELIGHTS' RED YUCCA
OPUNTIA SANTA RITA SANTA RITA PRICKLY PEAR

GROUND COVER



GLANDULARIA GOODDINGII GOODDING'S VERBENA

INERT MATERIALS



DECOMPOSED GRANITE MADISON DESERT GOLD 1/2" SCREENED, 2" DEPTH, MIN.
BOULDER MADISON DESERT GOLD LARGE 3x3x2'

OPEN SPACE REQUIREMENT

SQUARE FEET REQUIRED: _____
SQUARE FEET MET: 6,045



NOT FOR CONSTRUCTION

CITY OF MESA
ENGINEERING DEPARTMENT
MESA FIRE-MEDICAL STATION
NO. 223

COVER SHEET

DRAWING
LC100

SHEET
1 OF 11

CATALOG NUMBER:

DRAWN BY: MA
ENGINEER: WH
APPROVED BY: WH

ACTIVITY:
PROJ. No.: CT0124

DATE: 7/23/24 N:\PROJECTS\2023\2350059 MESA FIRE STATIONS 205, 223, AND 224 (1.DES)\24-03-18 FS223\40-CAD\1-SHEET FILES\2350059 LC PLAN 223.DWG

DATE: 6/27/24 N:\PROJECTS\2023\2350059 MESA FIRE STATIONS 205, 223, AND 224 (1.DES)\24-03-18 FS223\40-CAD\1-SHEET FILES\2350059 LI PLAN 223.DWG

BENCHMARK: DD
7/31/24
NORTH ELEVATION= (C.O.M. DATUM)




INVENTORY LEGEND

PLANT #	BOTANICAL NAME	COMMON NAME	HT. (FT)	CAL. (IN)	CONDITION	RECOMMENDATION
1	PROSOPIS SP.	MESQUITE	12'	14"	POOR	NO SALVAGE
2	PROSOPIS SP.	MESQUITE	12'	12"	POOR	NO SALVAGE
3	PROSOPIS SP.	MESQUITE	12'	18"	POOR	NO SALVAGE
4	PROSOPIS SP.	MESQUITE	15'	14"	POOR	NO SALVAGE
5	PROSOPIS SP.	MESQUITE	15'	18"	POOR	NO SALVAGE
6	PROSOPIS SP.	MESQUITE	12'	30"	POOR	NO SALVAGE
7	CERCIDIUM SP.	PALO VERDE	8'	10"	FAIR	NO SALVAGE
8	PROSOPIS SP.	MESQUITE	12'	24"	POOR	NO SALVAGE

LANDSCAPE INVENTORY NOTES

1. PLANT LOCATION SHOWN ON THE PLANS MAY DIFFER FROM THE ACTUAL LOCATIONS IN THE FIELD. SALVAGE CONTRACTOR TO VERIFY ALL LOCATIONS AND PLANT CONDITIONS IN THE FIELD.
2. WHERE PLANTS ARE LOCATED CLOSE TO AN EXISTING IRRIGATION SYSTEM, THAT IRRIGATION SYSTEM SHALL BE PROTECTED IN PLACE.

LANDSCAPE INVENTORY PLAN

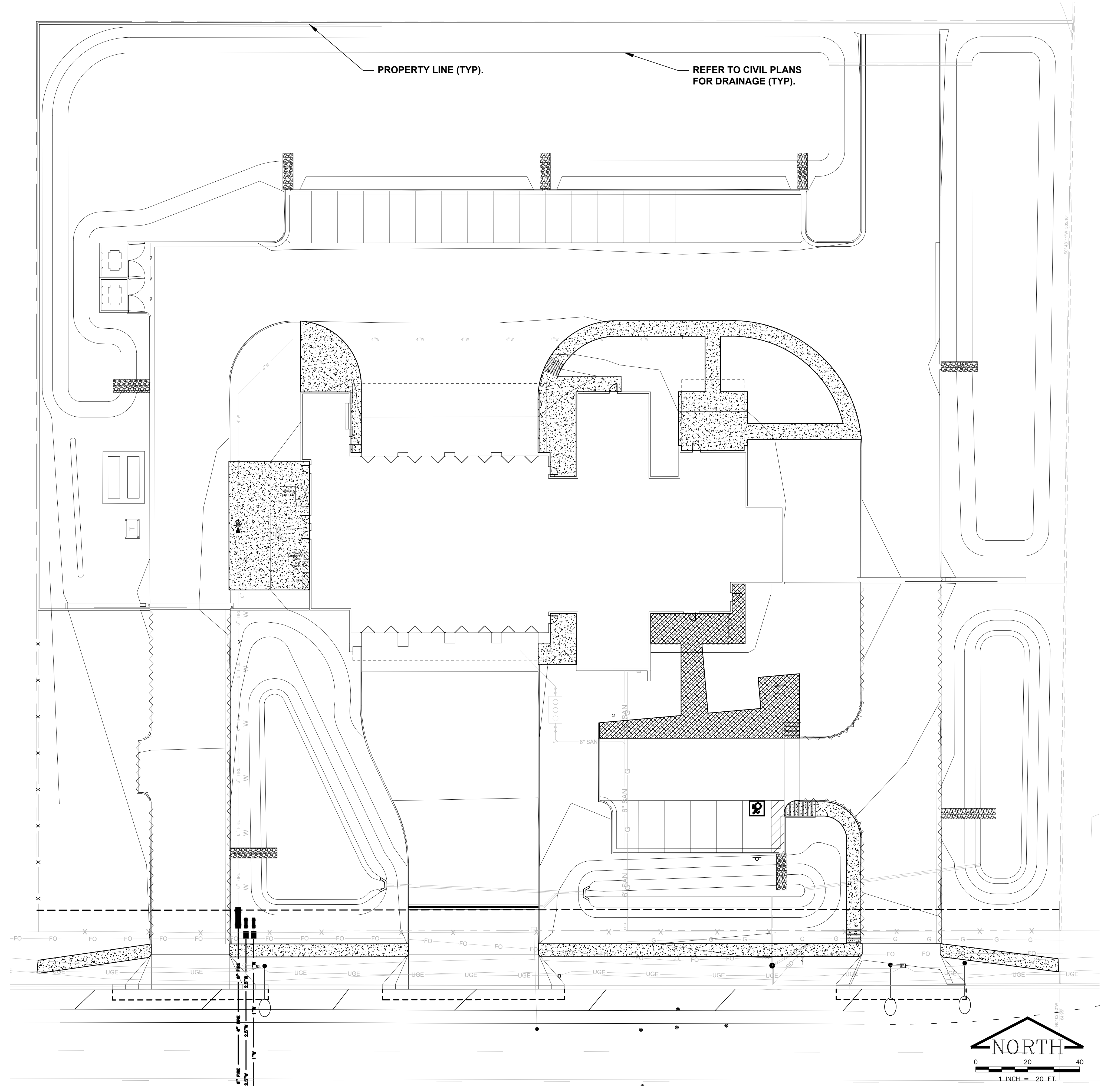


LOGANSIMPSON
31 WEST THIRD STREET, SUITE 400
TEMPE, AZ 85281
P: 480.987.0461

NOT FOR CONSTRUCTION	CITY OF MESA ENGINEERING DEPARTMENT	
	MESA FIRE-MEDICAL STATION NO. 223	
	LANDSCAPE/INVENTORY PLAN	DRAWING L1200
DRAWN BY: <u>MA</u> ENGINEER: <u> </u> APPROVED BY: <u>WH</u>	SHEET 2 of 11	CATALOG NUMBER:

DATE: 7/22/24 N:\PROJECTS\2023\2350059 MESA FIRE STATIONS 205, 223, AND 224 (1.DES)\24-03-18 FS223\40-CAD\1-SHEET FILES\2350059 HS PLAN 223.DWG


BENCHMARK: DD
7/31/24
NORTH ELEVATION= (C.O.M. DATUM)



HARDSCAPE SCHEDULE

	CONCRETE COLOR 1	STANDARD GREY CONCRETE -SEE CIVIL PLANS	6,647 sf
	CONCRETE COLOR 2	DAVIS COLOR - BAYOU 6130 SANDBLAST FINISH	1,639 sf

HARDSCAPE PLAN

 LOGANSIMPSON
51 WEST THIRD STREET, SUITE 400
TEMPE, AZ 85281
P: 480.967.0464

**CITY OF MESA
ENGINEERING DEPARTMENT
MESA FIRE-MEDICAL STATION
NO. 223**

HARDSCAPE PLAN

DRAWING
HS200

NOT FOR CONSTRUCTION

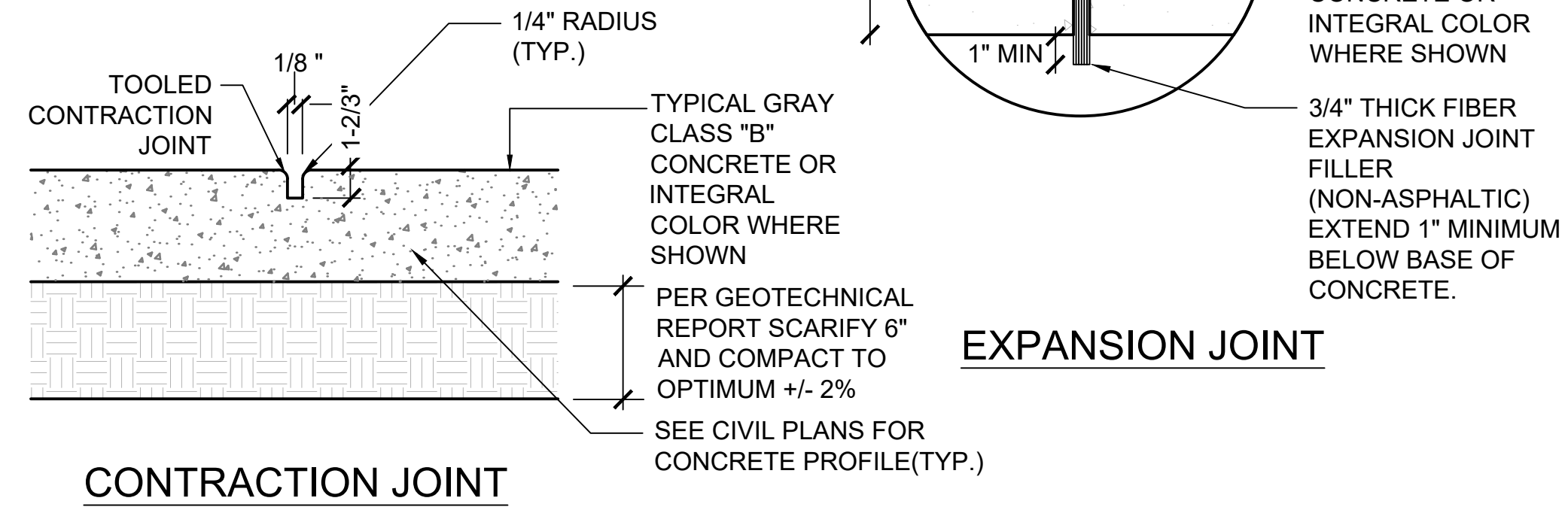
DRAWN BY: MA
ENGINEER: WH
APPROVED BY: WH

ACTIVITY:
PROJ. No.: CT0124

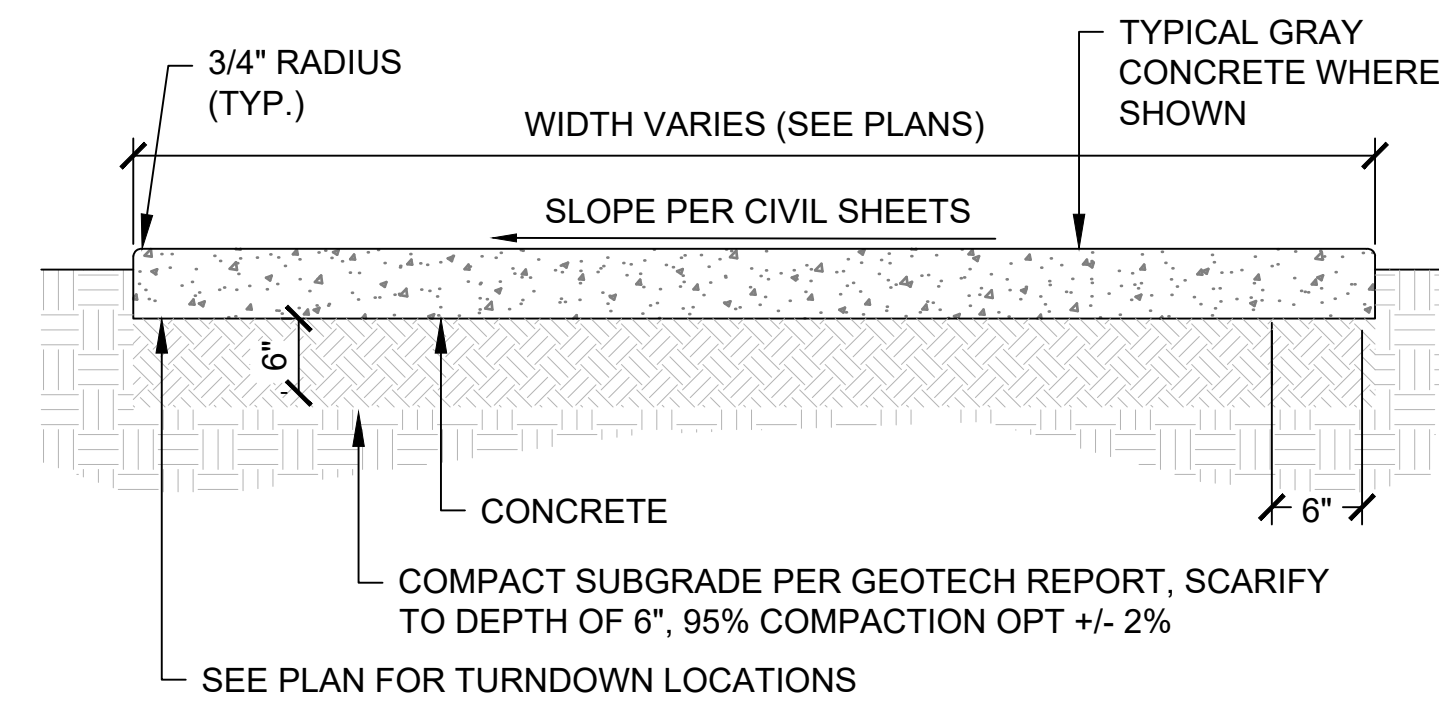
SHEET
3 of 11

CATALOG NUMBER:

NOTE:
EXPANSION JOINT SHALL BE INSTALLED PRIOR TO ALL POURS, AT POINTS OF CURVATURE, AT ADJOINING STRUCTURES. EXPANSION AND CONTRACTION JOINT FREQUENCY SHALL BE AS PER M.A.G. MINIMUMS. THE EXPANSION JOINT MUST PROVIDE FOR COMPLETE SEPARATION OF THE SIDEWALK FROM ADJOINING CONCRETE. SEE PLANS FOR DESIGN INTENT. DISCUSS LOCATIONS W/ ONSITE PROJECT ARCHITECT OR ENGINEER.



1 CONTRACTION & EXPANSION JOINT DETAILS
N.T.S.



- NOTES:
1. SIDEWALK SHALL CONFORM TO SPECIFICATIONS.
 2. SEE HARDSCAPE PLAN SHEETS FOR PROPOSED CONCRETE LOCATIONS.
 3. LAYOUT CONTRACTION AND EXPANSION JOINT PER PLAN - MAX SPACING OF EXPANSION JOINT IS 500' FT² - MAX SPACING OF CONTROL JOINT IS 100' FT²
 4. CROSS-SLOPE OF WALKWAY TO NOT EXCEED 2.0%.
 5. CONCRETE TO BE MEDIUM BROOM FINISH UNLESS OTHERWISE NOTED ON PLANS.
 6. STRAIGHT SECTIONS TO MEET CURVED SECTIONS AT TRUE TANGENT POINTS WITH NO BROKEN CURVE SECTIONS.
 7. CURVED SECTIONS TO BE FORMED IN SMOOTH, EVEN CURVES.
 8. FORM STAKING SHALL NOT ALLOW FORMING OR LEAKING. ALL SPILL OF EXCESS CONCRETE SHALL BE CLEANED UP AND REMOVED FROM SITE BY CONTRACTOR.

2 CONCRETE WALKWAY
N.T.S.

BENCHMARK: DD
7/31/24
NORTH ELEVATION= (C.O.M. DATUM)

DATE SAVED: 7/22/24 N:\PROJECTS\2023\2350059 MESA FIRE STATIONS 205, 223, AND 224 (1.DES)\24-03-18 FS223\40-CAD\1-SHEET FILES\2350059 HS PLAN 223.DWG

LOGAN SIMPSON
51 WEST THIRD STREET, SUITE 400
TEMPE, AZ 85281
P: 480.967.0463

CITY OF MESA
ENGINEERING DEPARTMENT
MESA FIRE-MEDICAL STATION
NO. 223

HARDSCAPE DETAILS

DRAWING
HS300

NOT FOR CONSTRUCTION

DRAWN BY: MA
ENGINEER: WH
APPROVED BY: WH

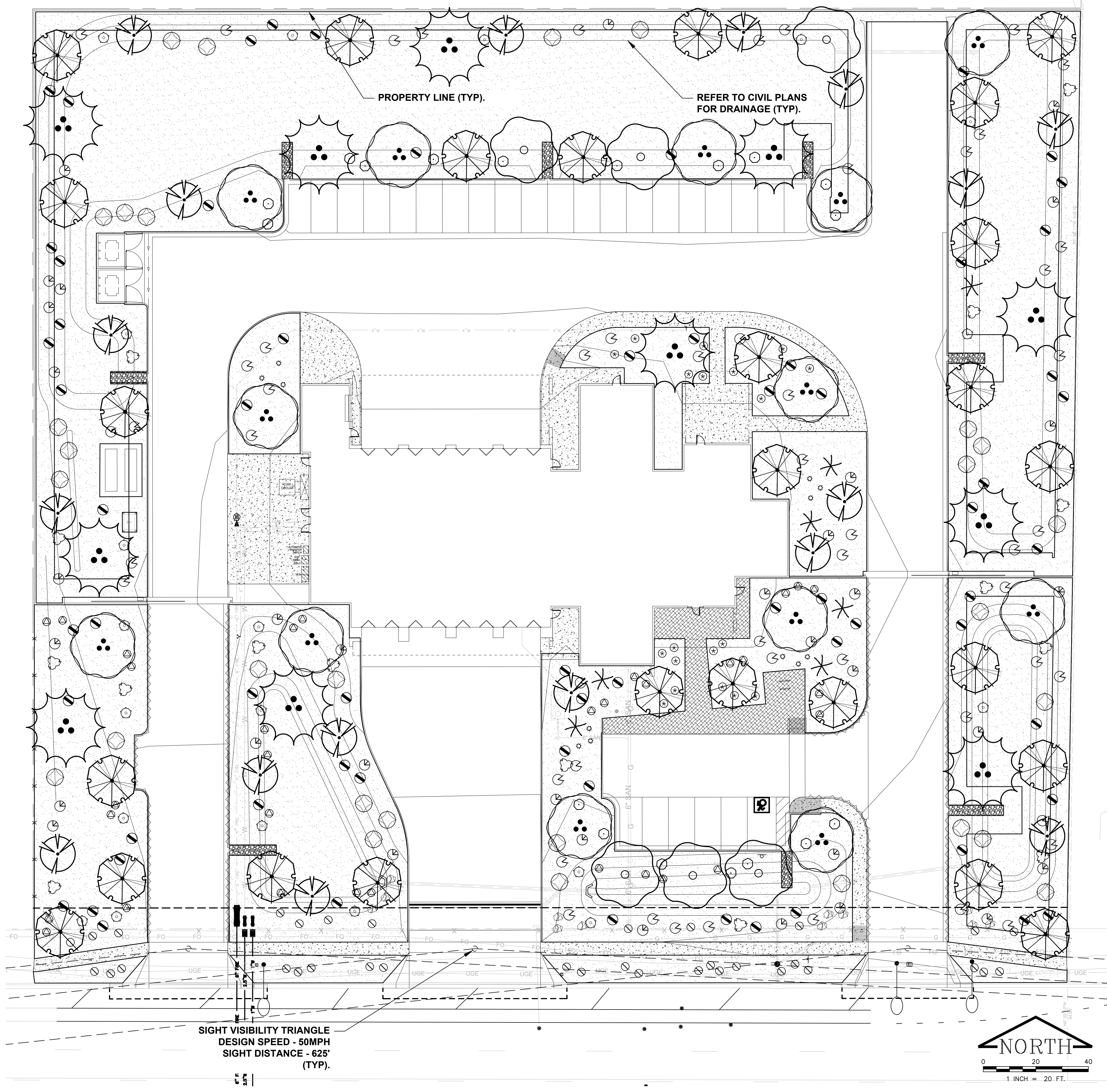
ACTIVITY: CT0124
PROJ. No.: CT0124

SHEET
4 of 11

CATALOG NUMBER:

DATE: 7/22/24 N:\PROJECTS\2023\2350059 MESA FIRE STATIONS 205, 223, AND 224 (1.DES)\24-03-18 FS223\40-CAD\1-SHEET FILES\2350059 LS PLAN 223.DWG

BENCHMARK: DD
7/31/24
NORTH ELEVATION= (C.O.M. DATUM)



LANDSCAPE SCHEDULE

SYMBOL	BOTANICAL NAME	COMMON NAME	CONT	CAL	QTY
TREES					
	CAESALPINIA CACALACO 'SMOOTHIE' TM	SMOOTHIE CASCALOTE	24"BOX	1.5" CAL.	17
	CHILOPSIS LINEARIS	DESERT WILLOW	24"BOX	1.5" CAL.	26
	OLNEYA TESOTA	IRONWOOD	24"BOX	MULTI-TRUNK	13
	PARKINSONIA FLORIDA	BLUE PALO VERDE	24"BOX	MULTI-TRUNK	11
	PARKINSONIA PRAECOX	PALO BREA	24"BOX	1.5" CAL.	6
SHRUBS					
	AMBROSIA DELTOIDEA	TRIANGLELEAF BURSAGE	5 GAL		32
	DALEA PULCHRA	BUSH DALEA	5 GAL		20
	ENCELIA FARINOSA	BRITTLEBUSH	5 GAL		65
	EREMOPHILA HYGROPHANA	EMU BUSH	5 GAL		19
	ERICAMERIA LARICIFOLIA	TURPENTINE BUSH	5 GAL		34
	LARREA TRIDENTATA	CREOSOTE BUSH	5 GAL		29
	SPHAERALCEA AMBIGUA	GLOBEMALLOW	5 GAL		53
ACCENTS					
	FEROCACTUS CYLINDRACEUS	COMPASS BARREL	5 GAL		12
	FOQUIERIA SPLENDENS	OCOTILLO	8-10 CANES		7
	HESPERALOE PARVIFLORA 'BRAKELIGHTS' TM	BRAKELIGHTS RED HESPERALOE	5 GAL		19
	OPUNTIA SANTA-RITA	PURPLE PRICKLY PEAR	5 GAL		15
GROUNDCOVERS					
	GLANDULARIA GOODINGII	GOODING'S VERBENA	1 GAL		34
INERT MATERIALS					
	DG	DECOMPOSED GRANITE MADISON DESERT GOLD		74,538 SF.	
	BOULDER	SURFACE SELECT BOULDER PER DETAIL X LS300		12 EA.	

LANDSCAPE PLAN

LOGANSIMPSON
61 WEST THIRD STREET, SUITE 400
TEMPE, AZ 85281
P: 480.967.0060

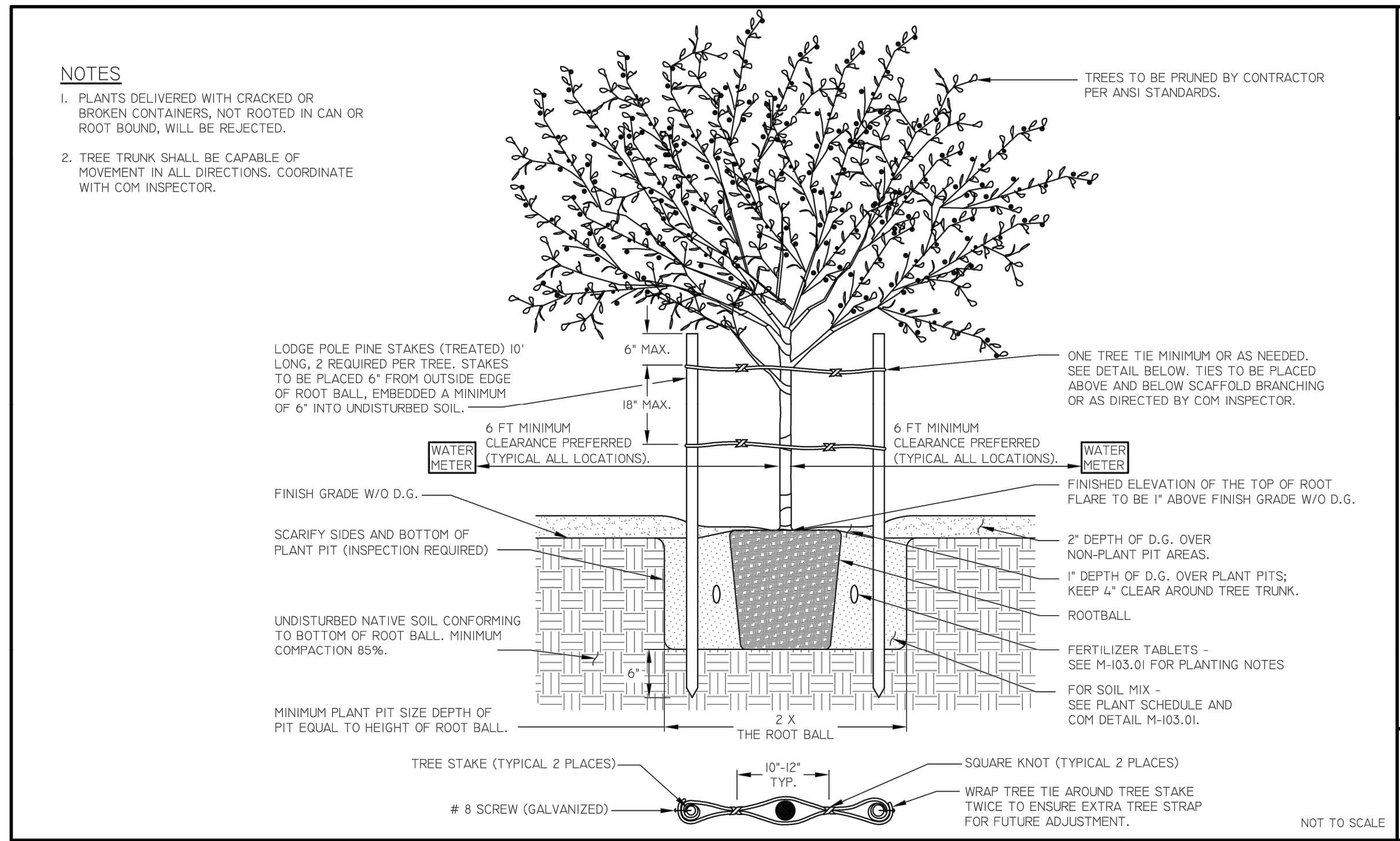
NOT FOR CONSTRUCTION	CITY OF MESA ENGINEERING DEPARTMENT	
	MESA FIRE-MEDICAL STATION NO. 223	
LANDSCAPE PLAN	DRAWING LS200	
DRAWN BY: MA ENGINEER: WH APPROVED BY: WH	SHEET 5 of 11	CATALOG NUMBER:
ACTIVITY: PROJ. No.: CT0124		

DATE SAVED: 7/22/24 N:\PROJECTS\2023\2350059 MESA FIRE STATIONS 205, 223, AND 224 (1.DES)\24-03-18 FS223\40-CAD\1-SHEET FILES\2350059 LS PLAN 223.DWG

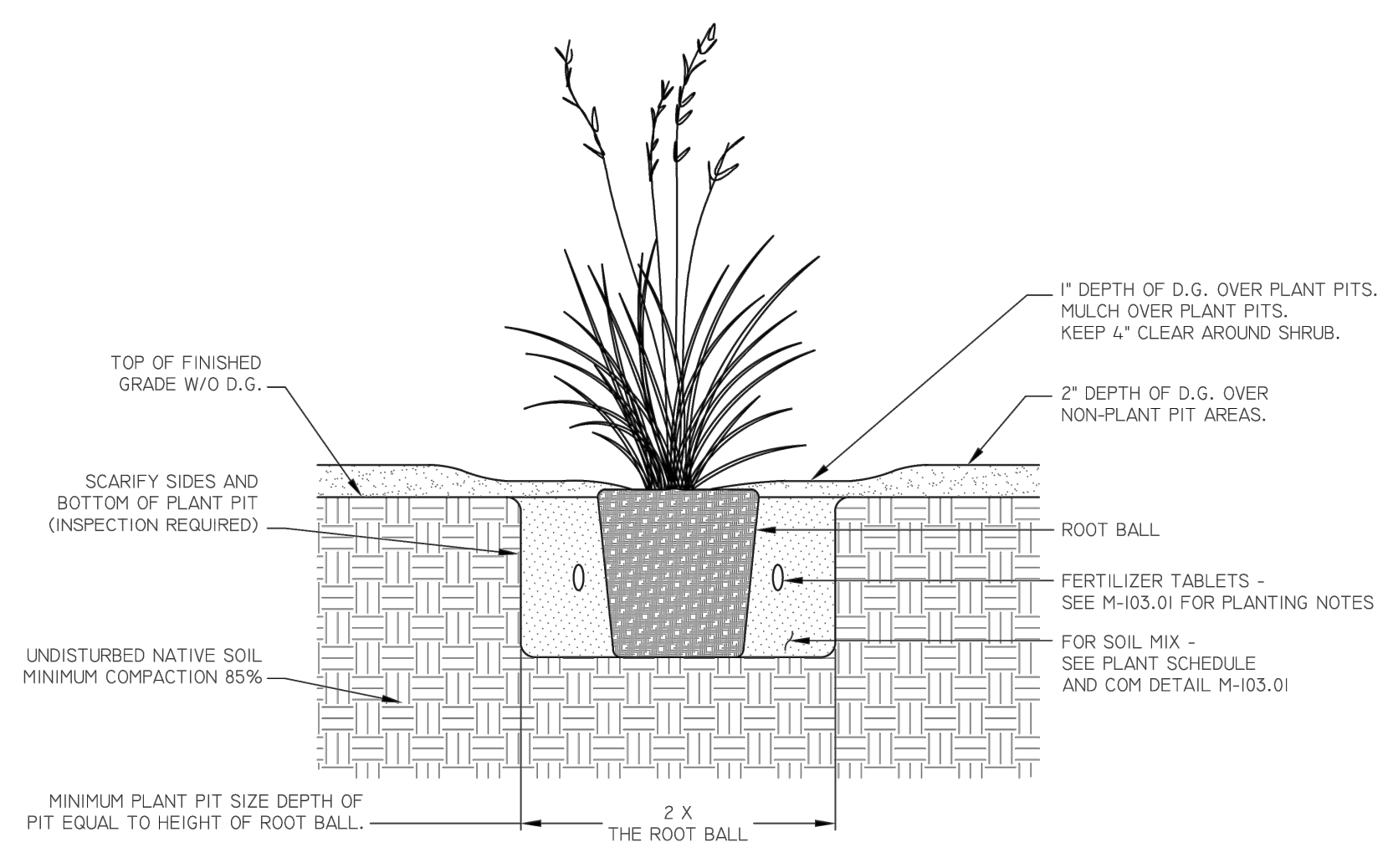
BENCHMARK: DD
7/31/24
NORTH ELEVATION= (C.O.M. DATUM)

NATIVE PLANTING BACKFILL MIX:	MIX SHALL CONSIST OF 'NATIVE' SITE SOIL (NO CALICHE IN BACKFILL). REMOVE ALL INORGANIC MATERIAL GREATER THAN 1" IN SIZE. SOIL MIX SHALL BE WATER SETTLED WITHOUT POOLING. NO ADDITIONAL FERTILIZATION REQUIRED IN NATIVE PLANTING BACKFILL MIX.
AMENDED PLANTING BACKFILL MIX:	MIX SHALL CONSIST OF: 1/2 PART 'NATIVE' SITE SOIL (NO CALICHE IN BACKFILL) & 1/2 PART MULCH (*HUMUS) *NATURAL FERTILE, FRIABLE SOIL THOROUGHLY MIXED PRIOR TO BACKFILLING PIT. REMOVE ALL INORGANIC MATERIAL GREATER THAN 1" IN SIZE. SOIL BACKFILLING SHALL BE ACCOMPLISHED IN 6" LIFTS. EACH LIFT SHALL BE WATER SETTLED WITHOUT POOLING.
FERTILIZER TABLETS:	FERTILIZER TABLETS SHALL BE AGRIFORM OR EQUAL (21 GRAM 20-20-5) SLOW RELEASE. TABLETS SHALL BE PLACED AT 1/2 THE DEPTH OF THE ROOTBALL AT THE FOLLOWING RATES: 1 TABLET PER 1 GALLON CONTAINER 2 TABLETS PER 5 GALLON CONTAINER 3 TABLETS PER 15 GALLON CONTAINER 4 TABLETS PER 24" BOX AND AT A RATE OF 1 TABLET PER EACH ADDITIONAL 6" BOX SIZE. WHEN MULTIPLE QUANTITIES OF TABLETS ARE REQUIRED, THEY SHALL BE EQUALLY SPACED AT THE SPECIFIED DEPTH.

mesa az
PLANTING NOTES
DETAIL NO. M-103.01
REV. 09/26/2016

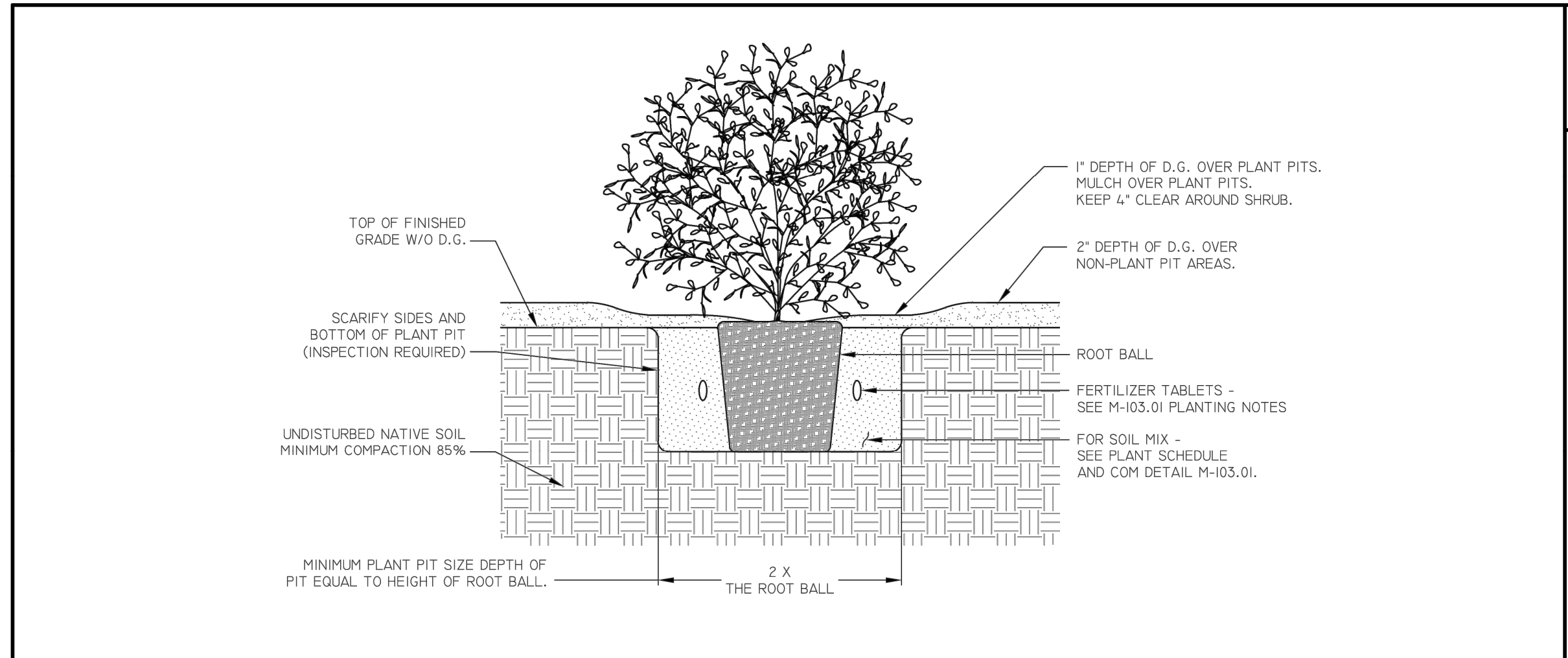


mesa az
TREE PLANTING IN DECOMPOSED GRANITE AREAS
DETAIL NO. M-103.03
REV. 05/23/2022



NOTES
1. PLANTS DELIVERED WITH CRACKED OR BROKEN CONTAINERS, NOT ROOTED IN CAN OR ROOT BOUND, WILL BE REJECTED.

mesa az
ACCENT SHRUB PLANTING DETAIL
DETAIL NO. M-103.05
REV. 05/23/2022



NOTES
1. PLANTS DELIVERED WITH CRACKED OR BROKEN CONTAINERS, NOT ROOTED IN CAN OR ROOT BOUND, WILL BE REJECTED.

mesa az
SHRUB PLANTING DETAIL
DETAIL NO. M-103.06
REV. 05/23/2022

NOT FOR CONSTRUCTION

LOGAN SIMPSON
51 WEST THIRD STREET, SUITE 400
TEMPE, AZ 85281
P: 480.967.0464

CITY OF MESA
ENGINEERING DEPARTMENT
MESA FIRE-MEDICAL STATION
NO. 223

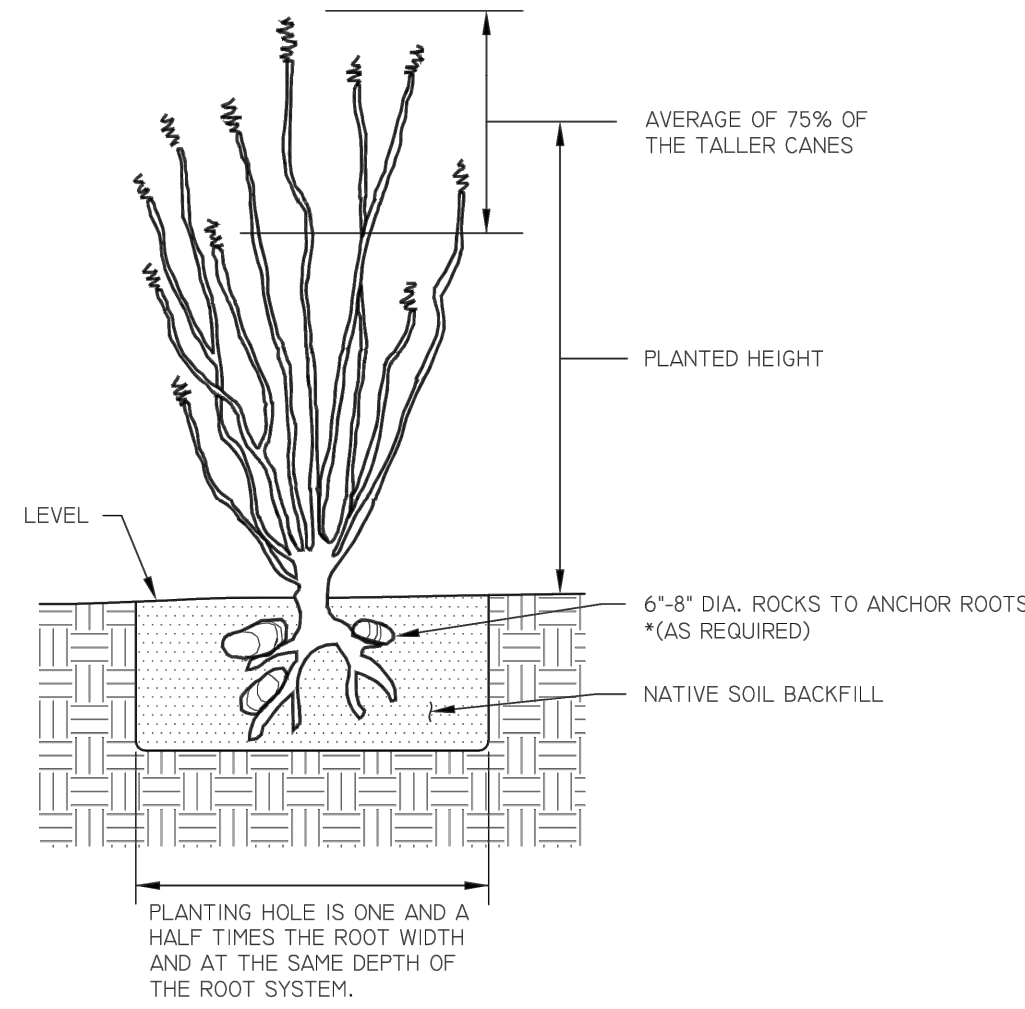
LANDSCAPE DETAILS
DRAWING NO. LS300

ACTIVITY: PROJ. No.: CT0124
SHEET 6 OF 11
CATALOG NUMBER:

DATE SAVED: 7/22/24 N:\PROJECTS\2023\2350059 MESA FIRE STATIONS 205, 223, AND 224 (1.DES)\24-03-18 FS223\40-CAD\1-SHEET FILES\2350059 LS PLAN 223.DWG

NOTES

1. ROOT PRUNE ALL SHREDED OR DAMAGED ROOTS. TEAR DRIED SHEATH OFF ROOTS. IF THERE ARE CRUSHED OR DAMAGED ROOTS, MAKE CLEAN CUTS. ENSURE ALL WOUNDS TO THE ROOT SYSTEM ARE SEALED BEFORE PLANTING BY ALLOWING TIME FOR SELF-SEALING OR APPLICATION OF WETTABLE DUSTING SULFUR (1.5 LBS).
2. PLANT NO DEEPER THAN WHAT THE PLANT WAS PREVIOUSLY PLANTED.
3. BACKFILL TO CONSIST OF CLEAN NATIVE SOIL.
4. APPLY NAPHYL, ACETIC ACID OR "B-I" OR APPROVED ROOTING HORMONE IN ACCORDANCE WITH MANUFACTURER'S INSTRUCTIONS.
5. AFTER PLANTING, DO NOT WATER FOR A PERIOD OF SEVEN TO TEN DAYS TO ALLOW ANY ROOTS THAT MAY HAVE BEEN DAMAGED DURING PLANTING TO CALLUS OFF.
6. WATER WEEKLY THROUGH SUMMER, UNLESS INSTRUCTED OTHERWISE.
7. BARE ROOTS SHALL NOT BE OUT OF THE GROUND FOR MORE THAN FIVE DAYS BEFORE PLANTING.
8. RETAIN THE NATIVE PLANT TRANSPORT TAG AS ISSUED FROM THE ARIZONA DEPARTMENT OF AGRICULTURE AND GIVE TO THE COM INSPECTOR.



NOT TO SCALE

REV. 09/27/2016



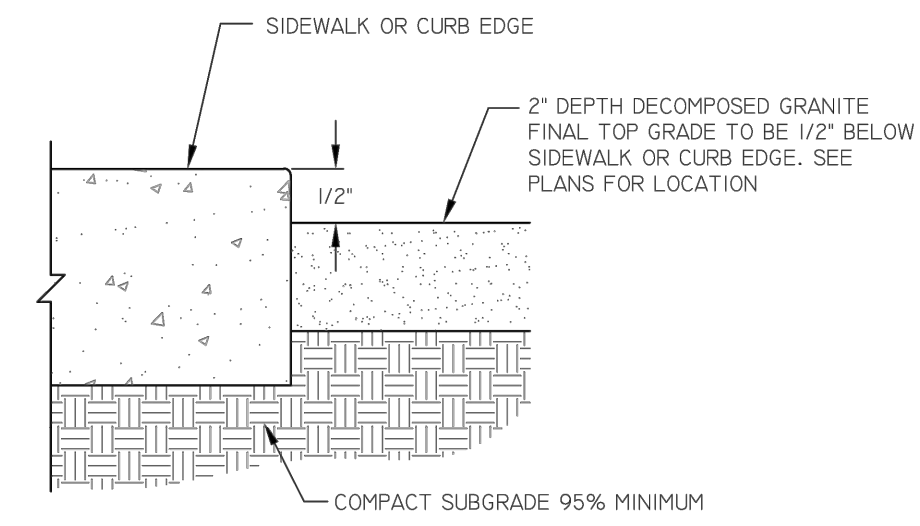
OCOTILLO PLANTING DETAIL

DETAIL NO. M-103.09

BENCHMARK: DD 7/31/24
NORTH ELEVATION= (C.O.M. DATUM)

NOTE

CONTRACTOR SHALL INSTALL D.G. AS FOLLOWS: PLACE AND ROLL DECOMPOSED GRANITE TO 2" TOTAL DEPTH OVER 95% COMPACTED SUBGRADE. PRE-EMERGENT HERBICIDE SURFLAN, DACTHAL OR APPROVED EQUAL SHALL BE APPLIED BEFORE AND AFTER GRANITE PLACEMENT. (CONTRACTOR SHALL SUBMIT DECOMPOSED GRANITE SAMPLES IN RIGID PLASTIC OR METAL CONTAINERS. PROJECT NUMBER AND SUPPLIER NAME SHALL BE LABELED ON CONTAINER.)



NOT TO SCALE

REV. 03/27/2017

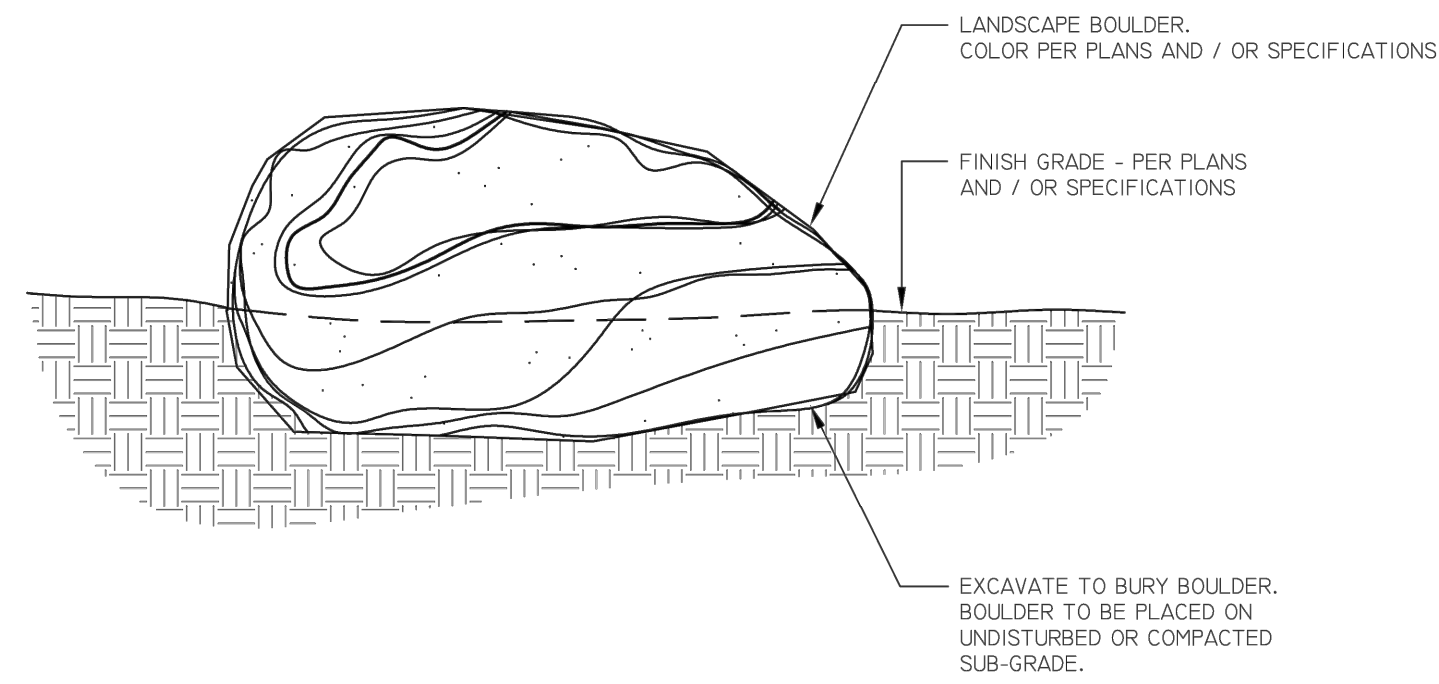


DECOMPOSED GRANITE AT CONCRETE

DETAIL NO. M-111.07

NOTES

1. BOULDERS TO BE PLACED IN A WAY SO SCARRING DOES NOT OCCUR. LANDSCAPE ARCHITECT OR ENGINEER TO APPROVE THE FINAL BOULDER PLACEMENT AND CONDITION.
2. BURY LOWER 1/3 OF BOULDER AS NEEDED TO ACHIEVE NATURAL APPEARANCE.
3. LANDSCAPE BOULDER SPECIFICATIONS:
4'X4'X4' 3.0 TONS (MIN.)
3'X3'X3' 1.5 TONS
2'X2'X2' 1.0 TON
4. SEE PLANS FOR BOULDER SIZE AND PLACEMENT.



NOT TO SCALE

REV. 03/27/2017



LANDSCAPE BOULDER

DETAIL NO. M-102



NOT FOR CONSTRUCTION	CITY OF MESA ENGINEERING DEPARTMENT	
	MESA FIRE-MEDICAL STATION NO. 223	
	LANDSCAPE DETAILS	DRAWING LS300
DRAWN BY: MA ENGINEER: APPROVED BY: WH	SHEET 6 of 11	CATALOG NUMBER:

IRRIGATION SCHEDULE

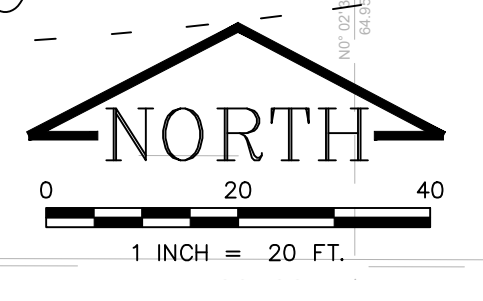
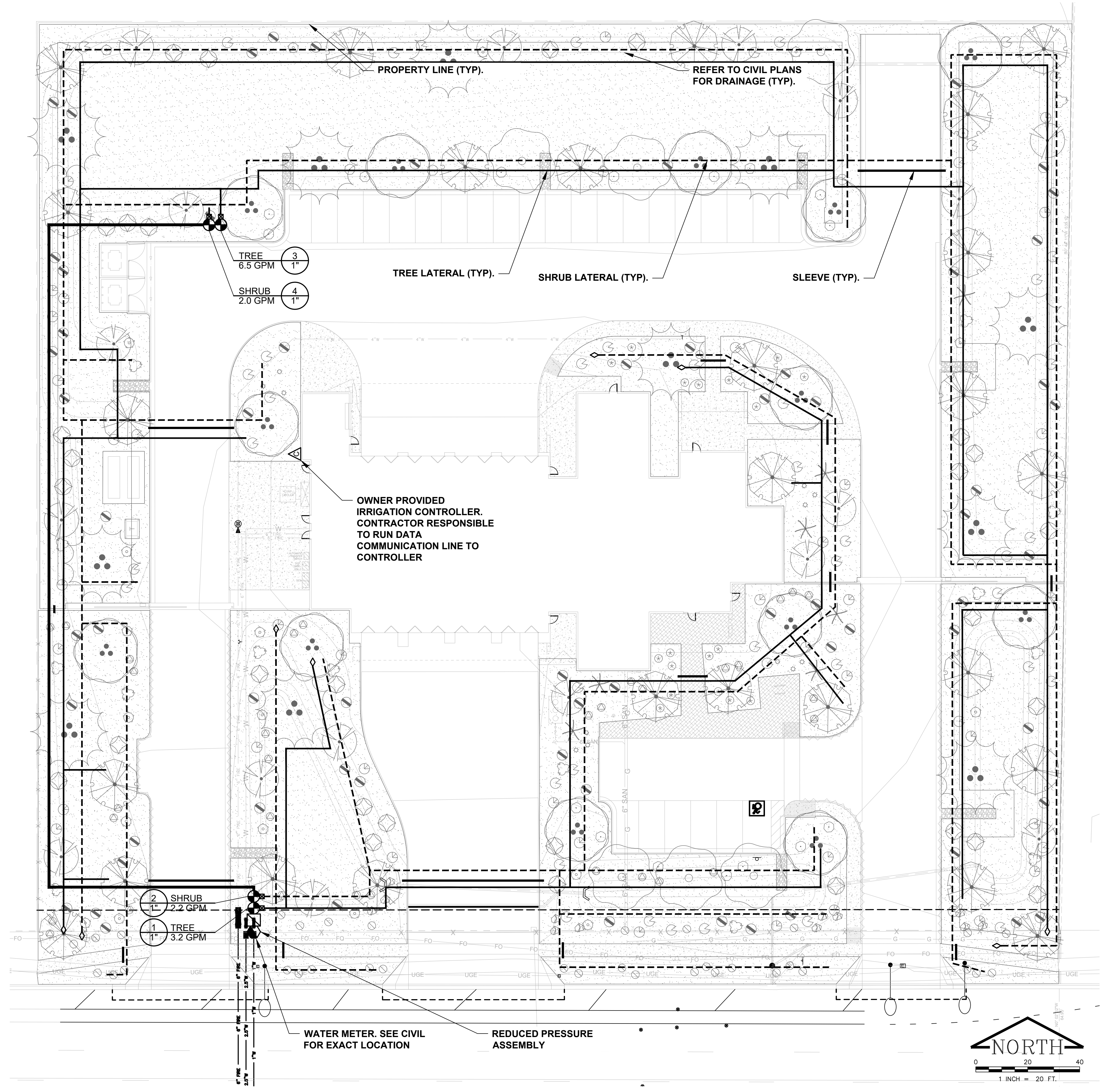
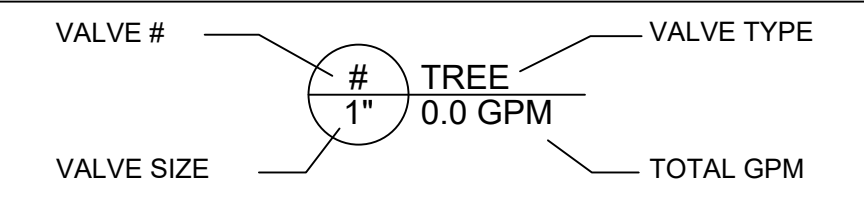
SYMBOL	BRAND	MODEL	DESCRIPTION
	FEBCO	825YA	1" REDUCED PRESSURE ASSEMBLY (PLACE IN WIRE CAGE)
	RAINBIRD	EFB-CP	MASTER VALVE
	FLOMEC	QS200-10	FLOW SENSOR
	MOTOROLA	IRRINET - ACE	IRRIGATION CONTROLLER
	RAINBIRD	EFB-CP	REMOTE CONTROL VALVE
	RAINBIRD	PRB-QKCHK-100	PRESSURE REGULATING FILTER
N/S	BOWSMITH	ML-206	MULTI OUTLET EMITTER (0.6 GPH)
N/S	BOWSMITH	ML-210	MULTI OUTLET EMITTER (1.0 GPH)
	SPEARS	2622-007	BALL VALVE END CAP

	3/4" SCHEDULE 40 PVC PIPE LATERAL (TREE)
	3/4" SCHEDULE 40 PVC PIPE LATERAL (SHRUB)
	1" SCHEDULE 40 PVC MAINLINE UNLESS LABELED OTHERWISE
	SCHEDULE 40 PVC SLEEVE

IRRIGATION SLEEVES

- USE SCHEDULE 40 PIPE, 2 TIMES THE DIAMETER OF THE PIPE(S) BEING SLEEVED, MINIMUM 2".
- CONTROL WIRES INSTALLED THROUGH IRRIGATION SLEEVES SHALL BE ENCASED IN A PVC ELECTRICAL CONDUIT SIZED TO CONTAIN THE REQUIRED NUMBER OF CONDUCTORS. WIRE SLEEVES CROSSING STREET PAVING SHALL HAVE A 10" PULL BOX AT EACH END.

VALVE CALLOUT



DATE: 7/23/24 N:\PROJECTS\2023\2350059 MESA FIRE STATIONS 205, 223, AND 224 (1.DES)\24-03-18 FS223\40-CAD\1-SHEET FILES\2350059 IR PLAN 223.DWG

IRRIGATION PLAN

LOGANSIMPSON
51 WEST THIRD STREET, SUITE 400
TEMPE, AZ 85281
P: 480.967.0500

**CITY OF MESA
ENGINEERING DEPARTMENT
MESA FIRE-MEDICAL STATION
NO. 223**

IRRIGATION PLAN

DRAWING
IR200

DRAWN BY: MA
ENGINEER: WH
APPROVED BY: WH

ACTIVITY:
PROJ. No.: CT0124

SHEET
8 of 11

CATALOG NUMBER:

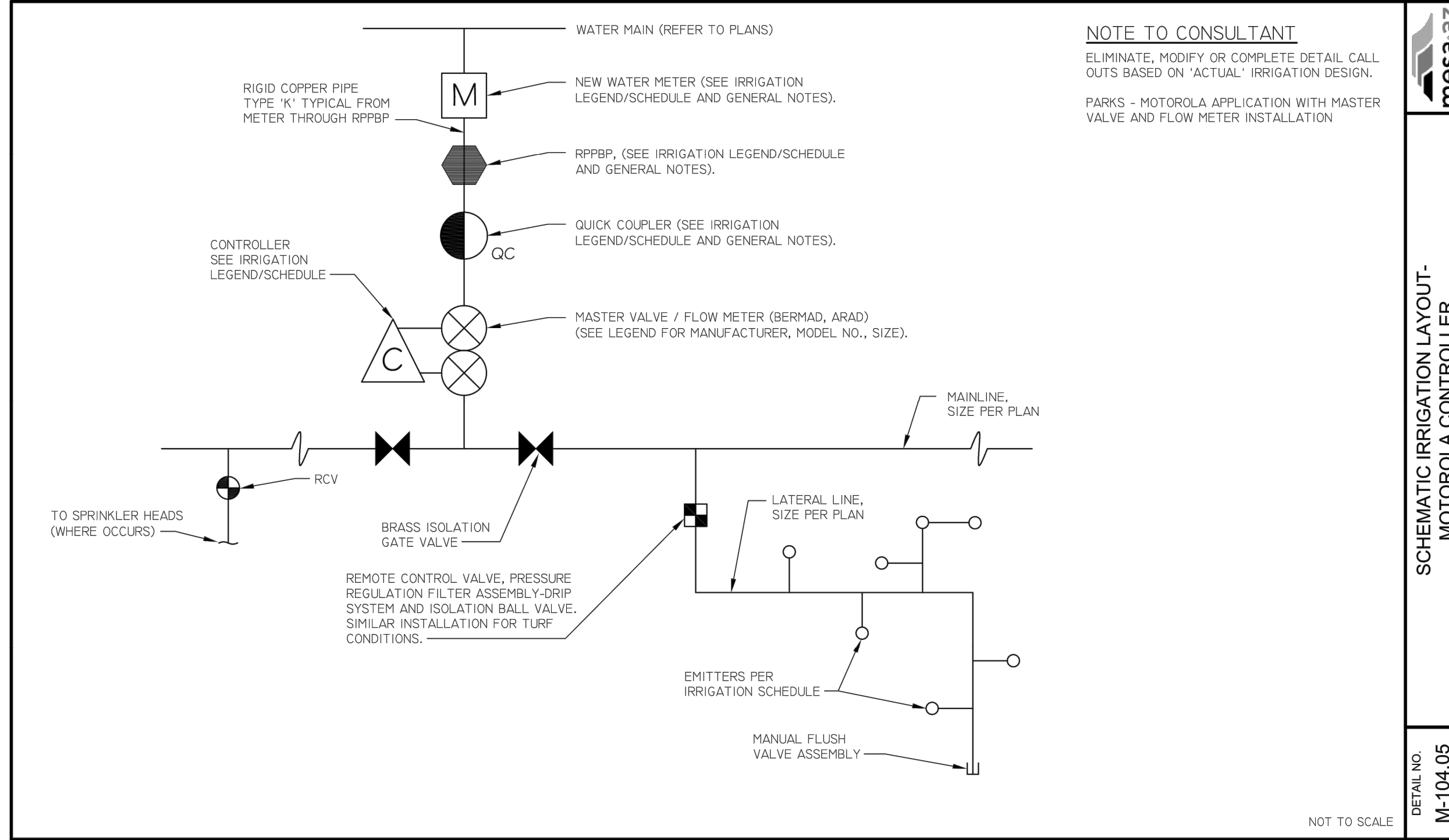
 NOT FOR
CONSTRUCTION

DATE: 7/23/24 N:\PROJECTS\2023\2350059 MESA FIRE STATIONS 205, 223, AND 224 (1.DES)\24-03-18 FS223\40-CAD\1-SHEET FILES\2350059 IR PLAN 223.DWG

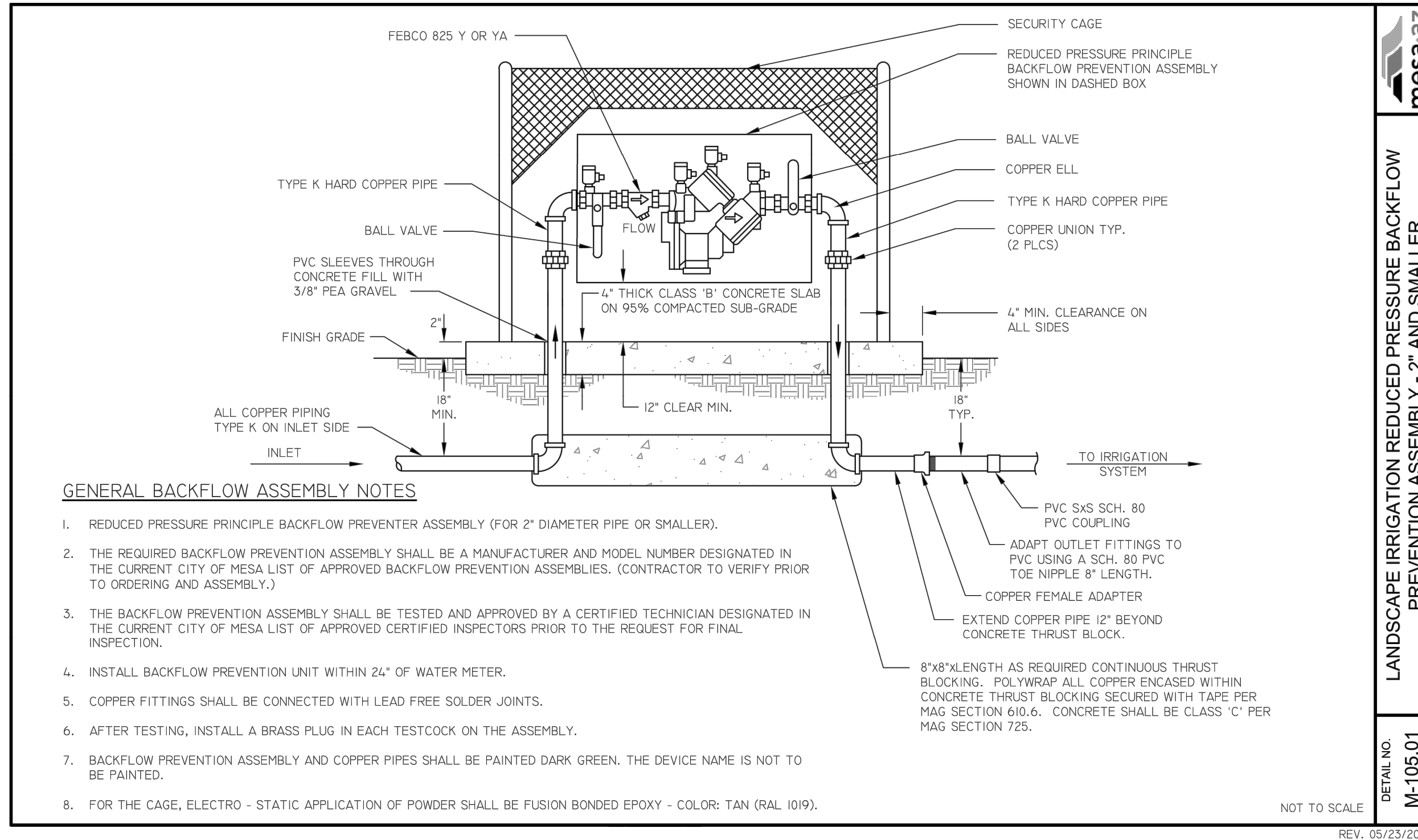
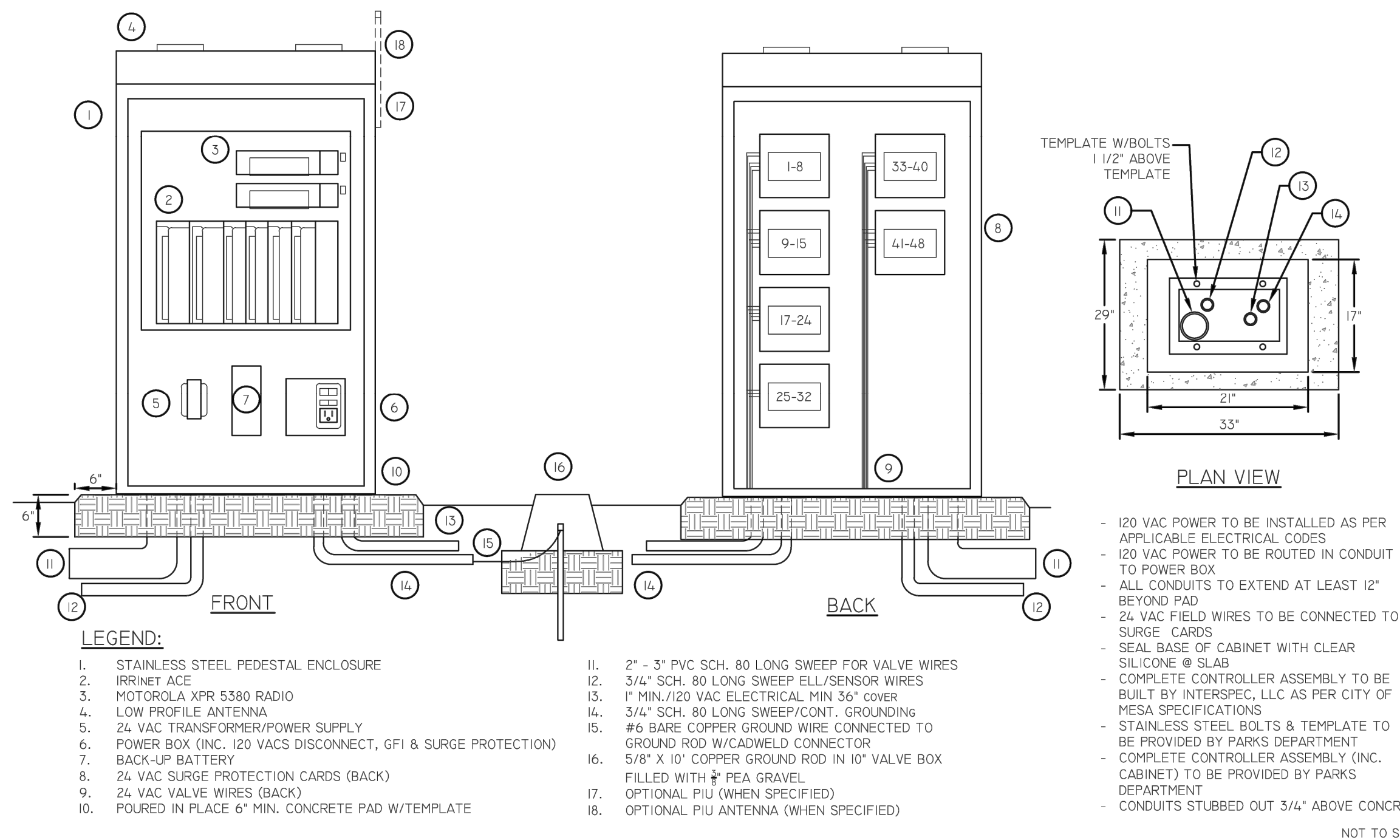
EMITTER SCHEDULE: OPERATION AT 20-25 PSI					
(1) BOWSMITH (MULTI) ML210 OR EQUAL (PER 5 TO 6 SHRUBS)					
(1) BOWSMITH (SINGLE) SL 1 GPH OR EQUAL (PER EACH SHRUB)					
(1) BOWSMITH (MULTI) ML220 OR EQUAL (PER EACH TREE)					
FOR 15 GALLON TREES					
3 OUTLETS EQUALLY SPACED AROUND TREE / 8"-10"± FROM TREE TRUNK					
FOR 24" BOX TREES					
4 OUTLETS EQUALLY SPACED AROUND TREE / 10"-12"± FROM TREE TRUNK					
FOR EACH 12" INCREASE IN BOX - PROVIDE 1" ADDITIONAL OUTLET (MAINTAIN EQUAL SPACING OF OUTLETS)					
EMITTER SCHEDULE					
TYPE	TOTAL FLOW	SIZE	QUANTITY	FLOW PER OUTLET	OUTLETS OPEN
TREES	6 GPH	15 GALLON	1 EM.	2 GPH	3
	8 GPH	24" BOX	1 EM.	2 GPH	4
	10 GPH	36" BOX	1 EM.	2 GPH	5
	12 GPH	48" BOX	1 EM.	2 GPH	6
	16-24 GPH	56" BOX AND LARGER	2 EM.	2 GPH	8-12
SHRUBS	1 GPH	1 GALLON	1 EM.	1 GPH	1
	1 GPH	5 GALLON	1 EM.	1 GPH	1
	3 GPH	15 GALLON	1 EM.	1 GPH	3
LOW WATER USE SHRUBS	.6 GPH	1 GALLON	1 EM.	.6 GPH	1
	.6 GPH	5 GALLON	1 EM.	.6 GPH	1

NOTE:
IRRIGATION DESIGN CONSULTANT TO ADD/INCLUDE LANDSCAPE IRRIGATION EMITTER SCHEDULE AS A DETAIL IN THE CONSTRUCTION DOCUMENTS.

mesa az
LANDSCAPE IRRIGATION EMITTER SCHEDULE
DETAIL NO. M-104.04
REV. 03/27/2017



BENCHMARK: DD 7/31/24
NORTH ELEVATION= (C.O.M. DATUM)



CITY OF MESA
ENGINEERING DEPARTMENT
MESA FIRE-MEDICAL STATION
NO. 223

IRRIGATION DETAILS

DRAWING
IR300

SHEET
9 of 11

CATALOG NUMBER:

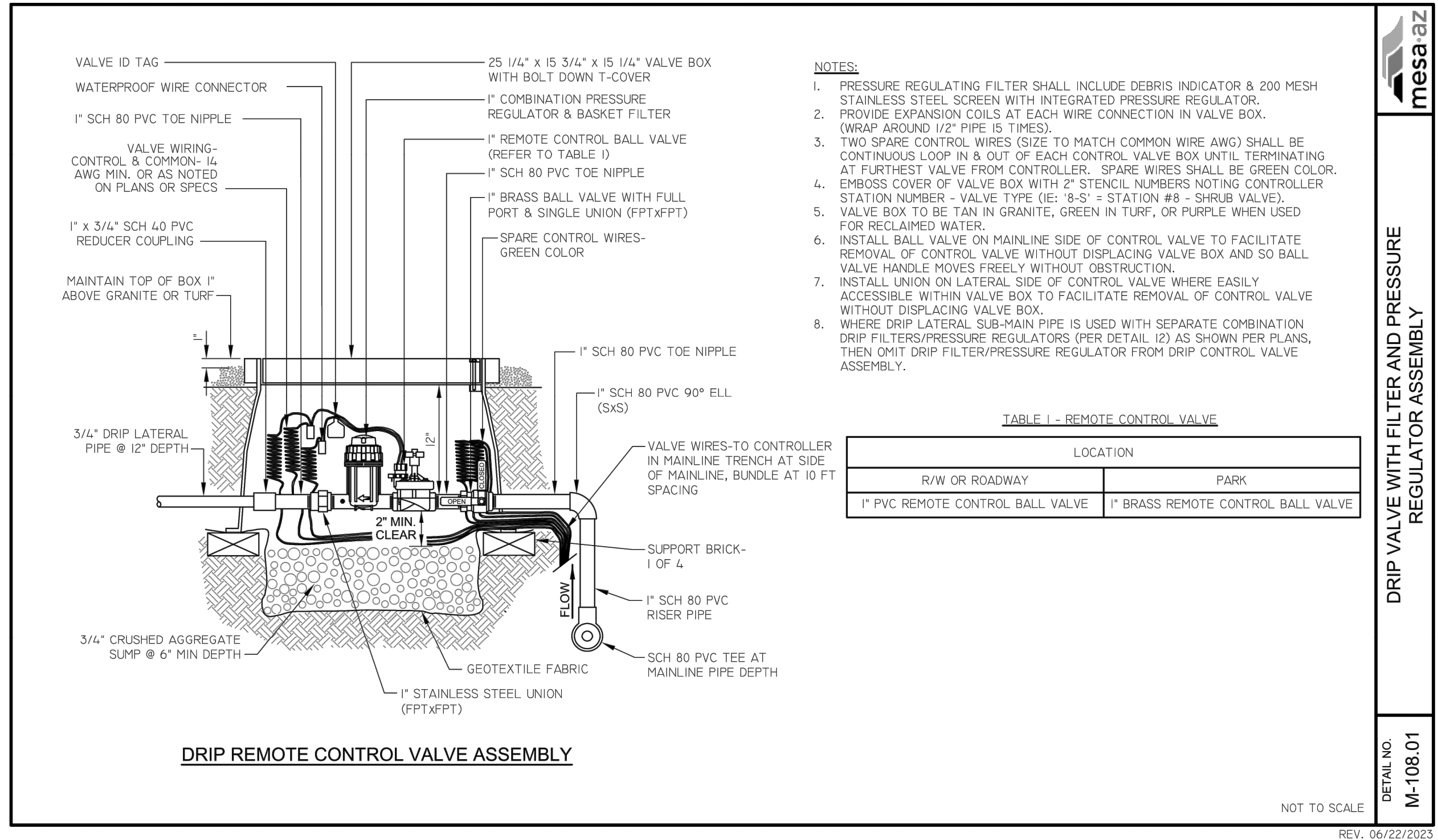
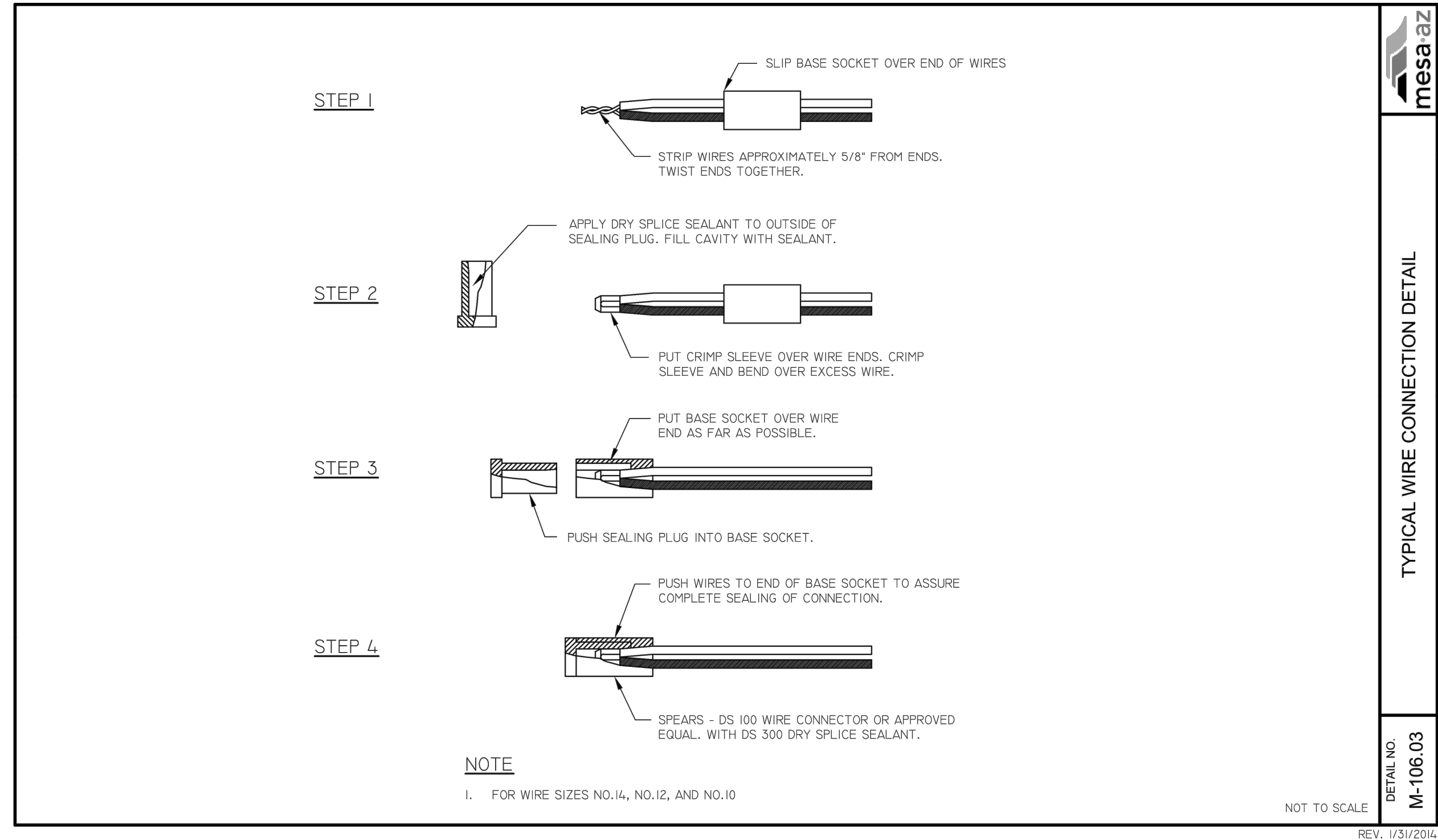
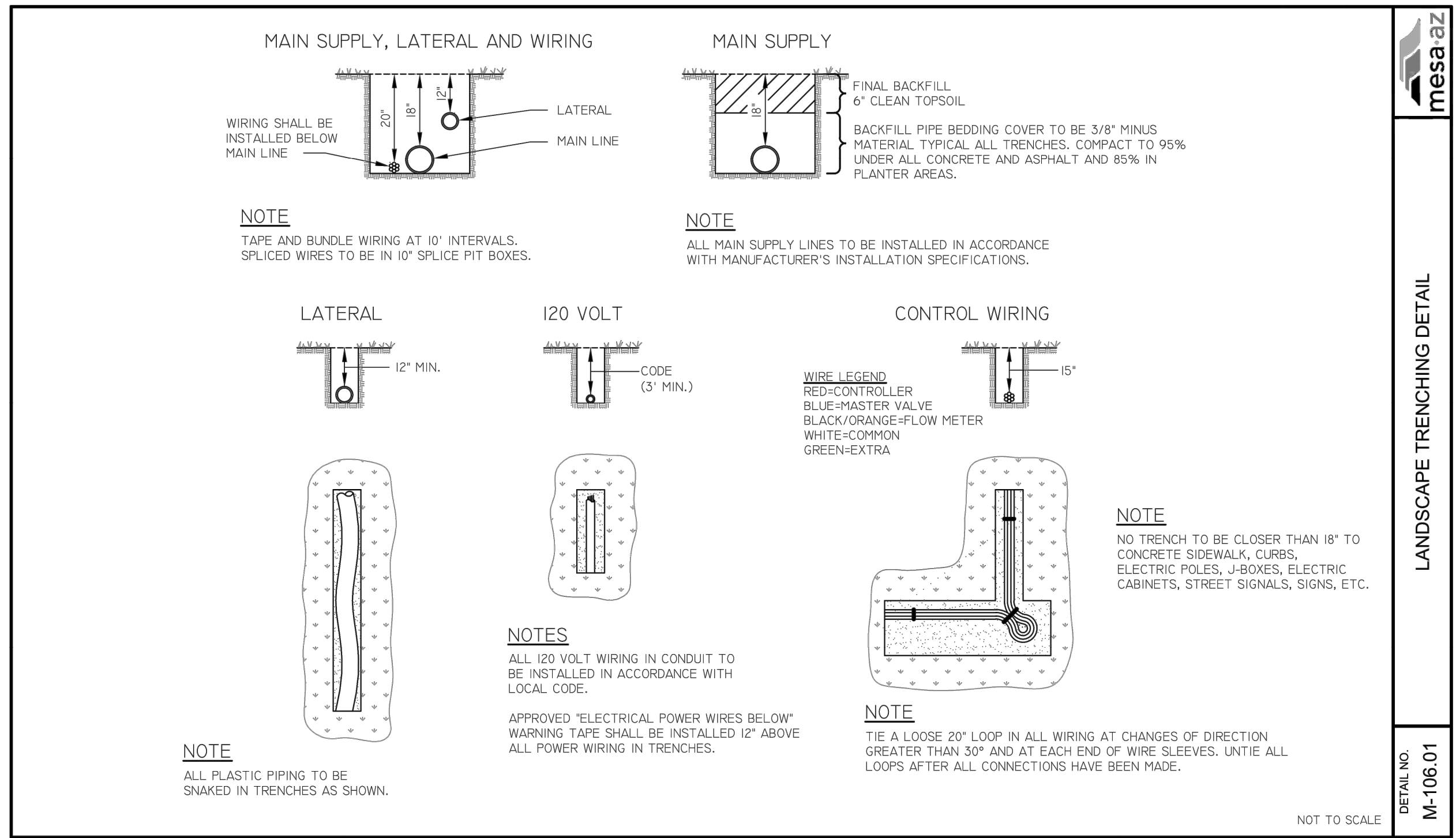
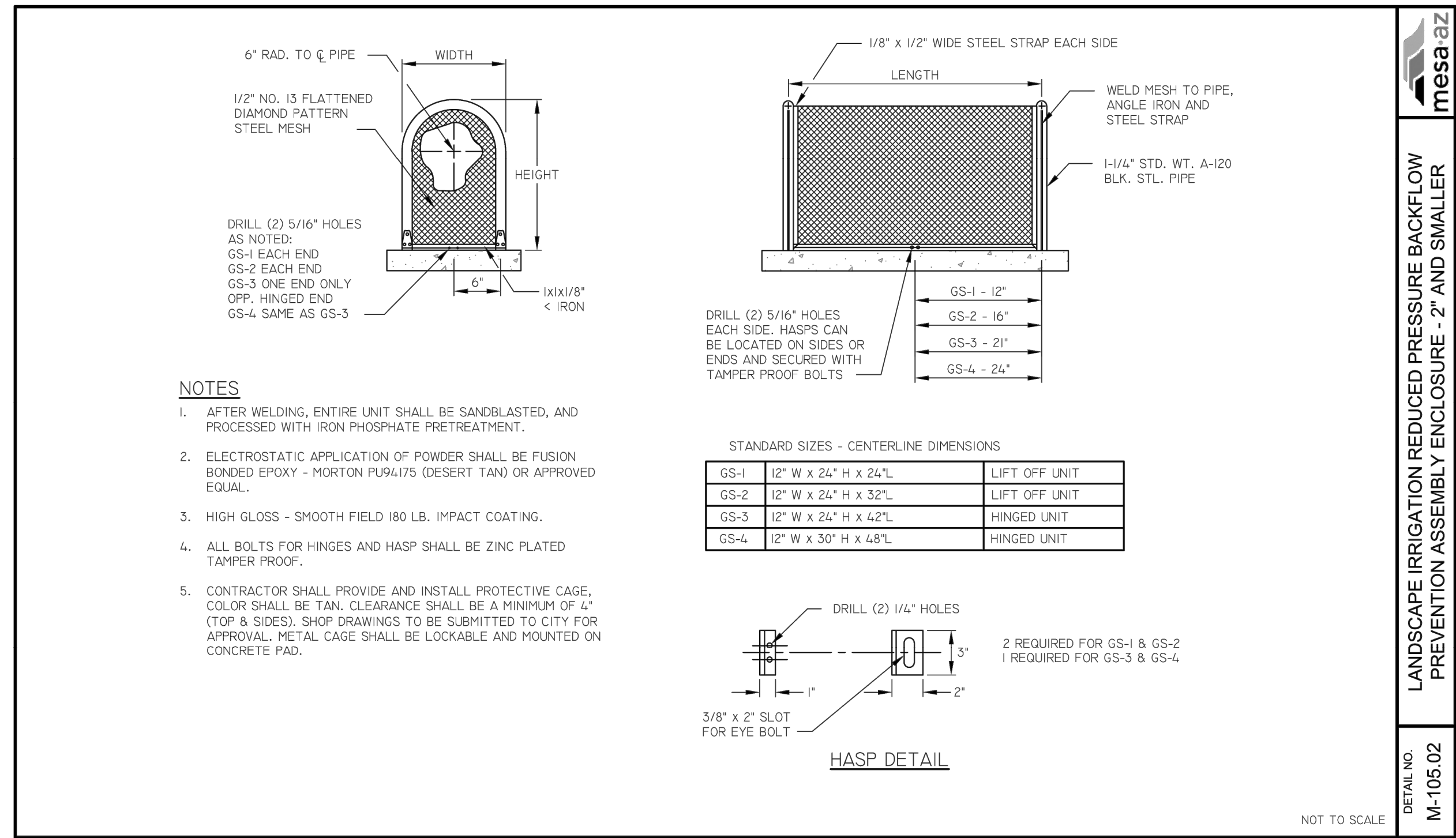
DRAWN BY: MA
ENGINEER: WH
APPROVED BY: WH

ACTIVITY:
PROJ. No.: CT0124

51 WEST THIRD STREET, SUITE 400
TEMPE, AZ 85281
P: 480.967.0800

DATE SAVED: 7/23/24 N:\PROJECTS\2023\2350059 MESA FIRE STATIONS 205, 223, AND 224 (1.DES)\24-03-18 FS223\40-CAD\1-SHEET FILES\2350059 IR PLAN 223.DWG

BENCHMARK: DD
7/31/24
NORTH ELEVATION= (C.O.M. DATUM)



NOT FOR CONSTRUCTION

CITY OF MESA
ENGINEERING DEPARTMENT
MESA FIRE-MEDICAL STATION
NO. 223

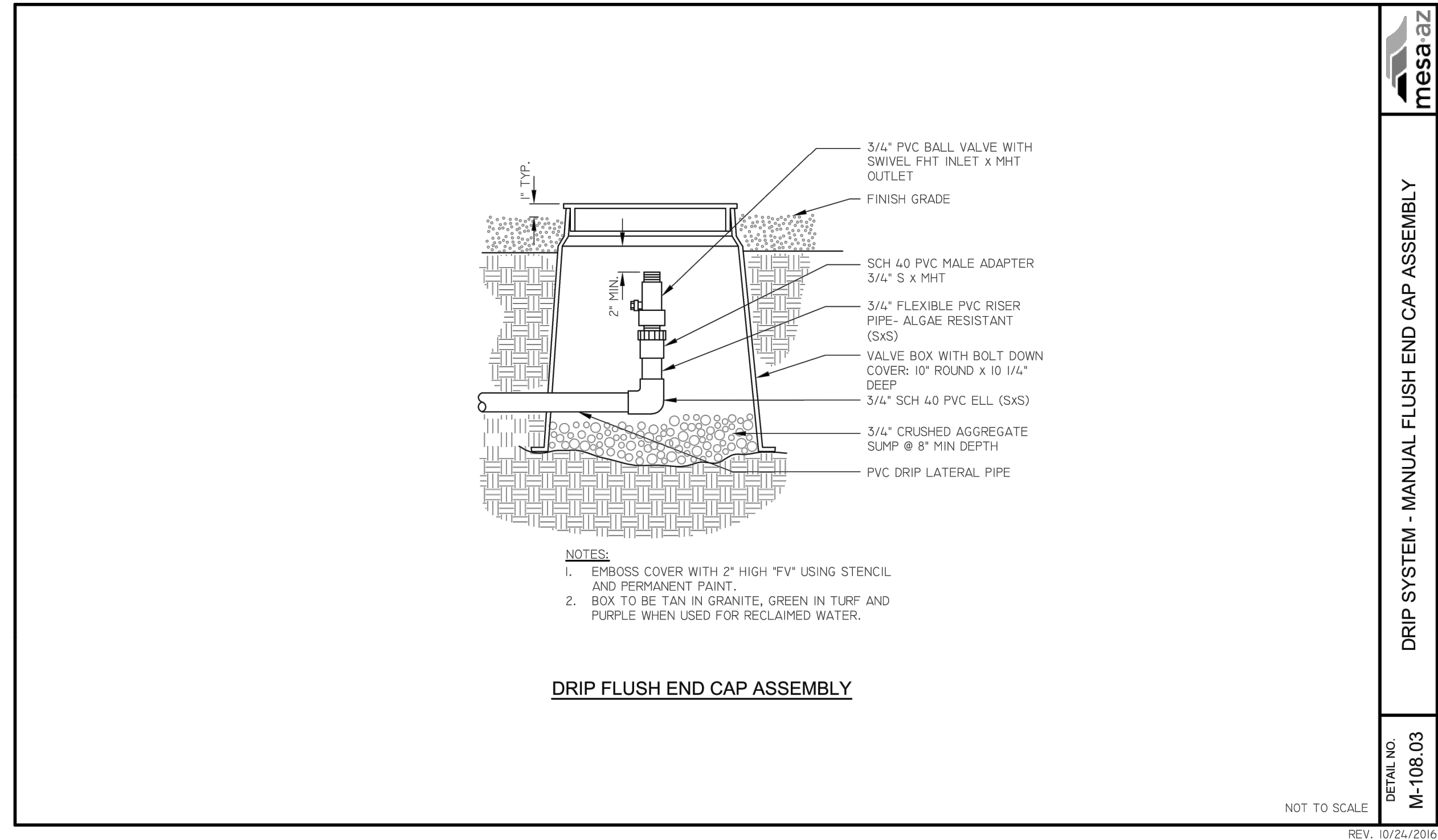
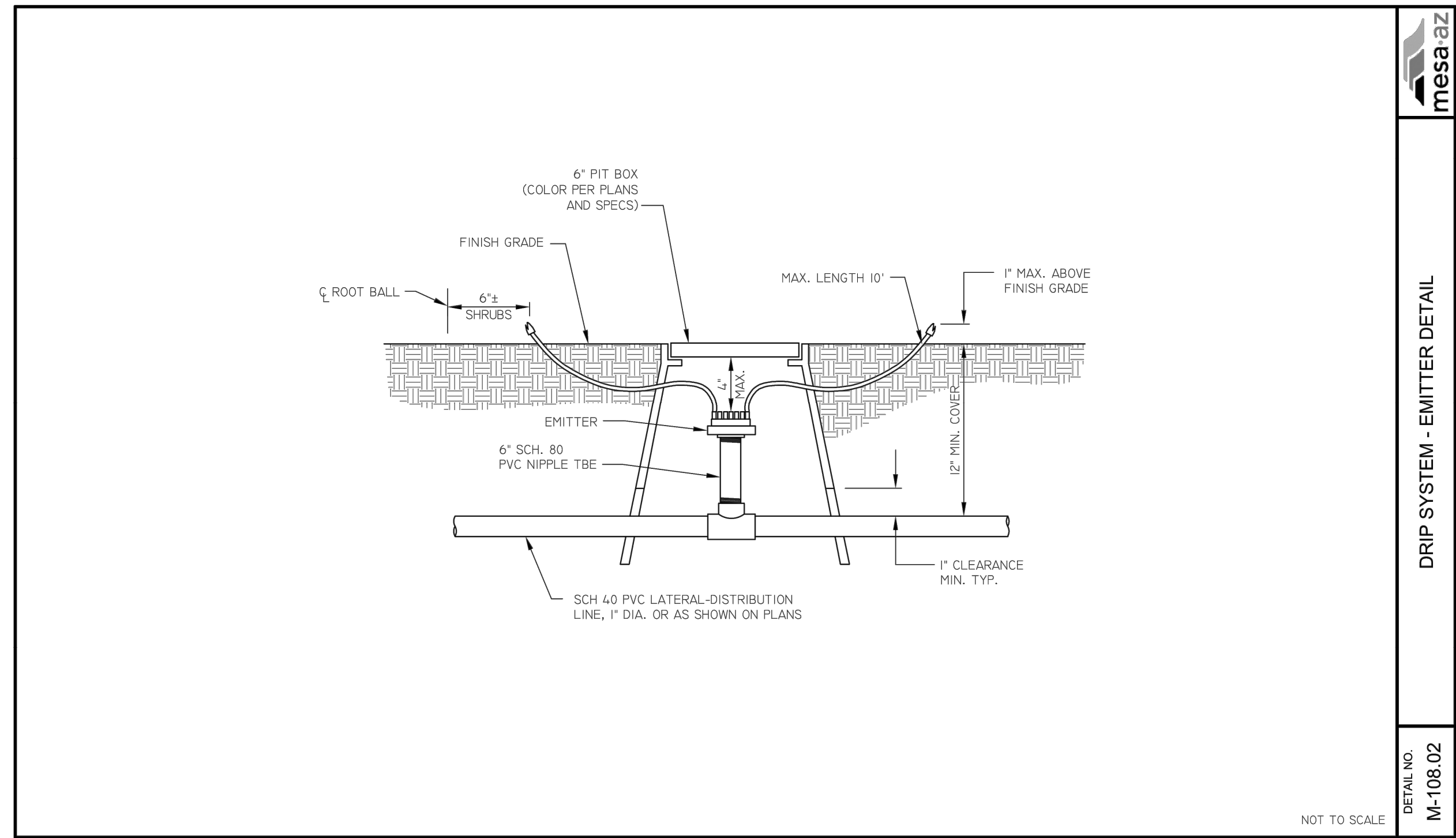
IRRIGATION DETAILS
DRAWING IR300

SHEET 10 of 11
CATALOG NUMBER:

DRAWN BY: MA
ENGINEER: WH
APPROVED BY: WH
ACTIVITY: PROJ. No.: C10124

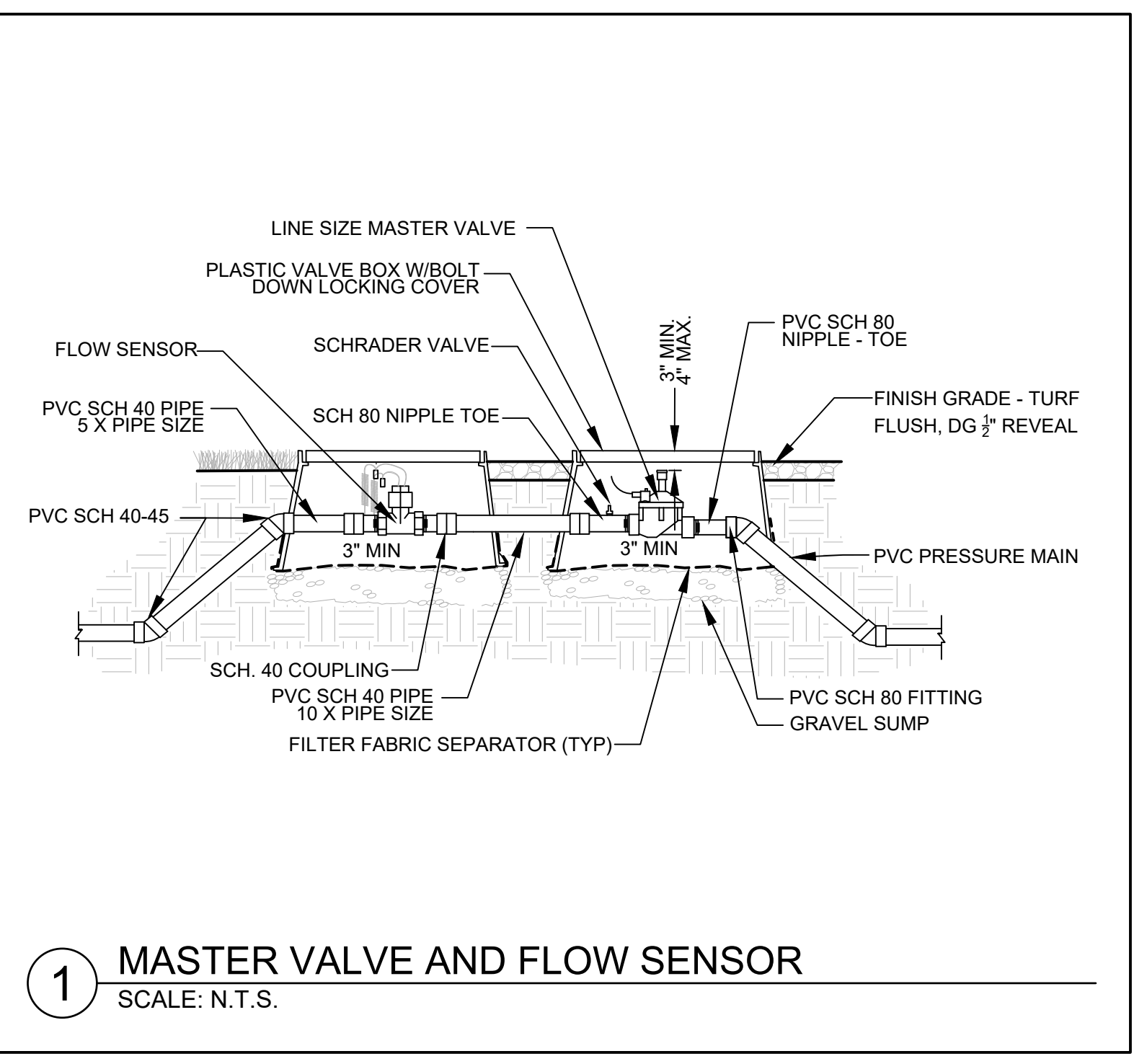


DATE: 7/23/24 N:\PROJECTS\2023\2350059 MESA FIRE STATIONS 205, 223, AND 224 (1.DES)\24-03-18 FS223_40-CAD\1-SHEET FILES\2350059 IR PLAN 223.DWG



IRRIGATION NOTES

- PRIOR TO COMMENCEMENT OF ANY WORK, THE CONTRACTOR SHALL CONTACT BLUE STAKE TO VERIFY LOCATIONS AND DEPTHS OF ANY UTILITIES THAT MAY BE AFFECTED BY HIS/HER WORK, AND SHALL BE RESPONSIBLE FOR DAMAGES TO SUCH UTILITIES CAUSED AS A RESULT OF THIS WORK.
- THE CONTRACTOR WILL BE RESPONSIBLE FOR FAULTY MATERIAL OR FAULTY WORKMANSHIP FOR THE PERIOD OF 1-YEAR FROM SUBSTANTIAL COMPLETION OF LANDSCAPE WORK.
- THE IRRIGATION SYSTEM IS DESIGNED FOR A MINIMUM OF 60 PSI. CONTRACTOR SHALL PROVIDE A STATIC PRESSURE READING BEFORE STARTING ANY WORK. IF WATER PRESSURE IS LESS THAN 60 PSI NOTIFY THE CONTRACTING OFFICER OR HIS DESIGNEE BEFORE STARTING WORK.
- THE CONTRACTOR WILL COMPLY WITH ALL LOCAL, STATE, AND FEDERAL LAWS, CODES, AND REGULATIONS APPLICABLE TO THE IRRIGATION SYSTEM COVERED BY THESE PLANS.
- ALL PERMITS, REQUIRED TO COMPLETE THE IRRIGATION WORK SHOWN ON THE PLANS SHALL BE OBTAINED BY THE CONTRACTOR PRIOR TO START OF WORK.
- IRRIGATION PLANS ARE SCHEMATIC. ALL VALVES AND PIPING ARE SHOWN DIAGRAMMATICALLY FOR CLARITY. CONTRACTOR SHALL BE RESPONSIBLE FOR PROPER PLACEMENT OF SYSTEM COMPONENTS. ALL IRRIGATION COMPONENTS TO BE LOCATED IN PLANTING AREAS. SOME IRRIGATION IS SHOWN OUTSIDE OF PLANTING AREAS FOR CLARITY PURPOSES ONLY. COORDINATE IRRIGATION WORK WITH LANDSCAPE PLANS TO AVOID CONFLICTING LOCATIONS BETWEEN PIPING AND PLANT PITS.
- CONTRACTOR SHALL BE RESPONSIBLE FOR 100% IRRIGATION COVERAGE TO PLANT AND SOD MATERIAL SHOWN ON THE PLANS, INCLUDING EXISTING TREES AND PLANTS TO REMAIN.
- ALL PIPES SHALL BE INSTALLED PER THE MANUFACTURER'S SPECIFICATION AND ASTM STANDARD D-2774 AT THE DEPTHS SHOWN IN THE IRRIGATION DETAILS.
- ALL THREADED JOINTS SHALL BE COATED WITH TEFLON TAPE UNLESS OTHERWISE SPECIFIED BY THE MANUFACTURER. USE LIQUID TEFLON ON METAL PIPE THREADS ONLY.
- CONTRACTOR SHALL FLUSH ALL LINES PRIOR TO INSTALLATION OF EMITTERS, END CAPS OR ANY OTHER DEVICE THAT IMPACTS THE OUTWARD FLOW OF SYSTEM WATER.
- ALL ELECTRICAL CONNECTIONS SHALL BE MADE WITHIN REMOTE CONTROL VALVE BOXES, CONTROLLER ENCLOSURES AND VALVE BOXES DESIGNATED SPECIFICALLY FOR ELECTRICAL CONNECTIONS. NO SPLICES OUTSIDE OF BOXES OR ENCLOSURES WILL BE ACCEPTED.
- IRRIGATION CONTROL WIRE NOT INSTALLED IN MAINLINE TRENCH SHALL BE INSTALLED PVC ELECTRICAL CONDUIT, SIZED TO CONTAIN THE REQUIRED NUMBER OF CONDUCTORS. PROVIDE TRACER WIRE FOR NEW MAINLINE.
- INSTALL ALL REMOTE CONTROL VALVES AT HEIGHTS INDICATED ON DETAILS, AS HIGH AS POSSIBLE BUT ALLOWING CLEARANCE BETWEEN VALVE BOX LID AND FLOW CONTROL HANDLE ON REMOTE CONTROL VALVE.
- AT THE COMPLETION OF THE PROJECT, SUPPLY THE FOLLOWING MATERIAL TO THE CONTRACTING OFFICER OR HIS DESIGNEE: TWO (2) WRENCHES FOR DISASSEMBLY AND ADJUSTING OF EACH TYPE OF VALVE SUPPLIED. TWO (2) KEYS FOR EACH TYPE OF CONTROLLER. TEN (10) EMITTER OF EACH TYPE USED ON THE PROJECT. THREE (3) VALVE BOX KEYS OR WRENCHES.
- TREES AND SHRUBS SHALL BE IRRIGATED ON SEPARATE REMOTE CONTROL VALVES.
- AS-BUILT DRAWINGS, CONTROLLER CHARTS, MAINTENANCE MANUALS AND SPECIALTY TOOLS SHALL BE TURNED OVER TO THE CONTRACTING OFFICER OR HIS DESIGNEE AT THE COMPLETION OF CONSTRUCTION.
- A ONE-YEAR WARRANTY ON MATERIALS AND INSTALLATION SHALL COMMENCE AT THE SUBSTANTIAL COMPLETION.
- ALL IRRIGATION PIPING REGARDLESS OF SIZE AND CLASS IS TO BE INCASED IN A PIPE SLEEVE WHEN LOCATED UNDER IMPERVIOUS SURFACE MATERIAL, INCLUDING ANGULAR ROCK AREAS.
- CONTRACTOR SHALL ADJUST SYSTEM LAYOUT AS NECESSARY TO ENSURE MAINLINE, LATERALS AND HEADS ARE 10' AWAY FROM EXISTING AND PROPOSED TREE (TRUNK) LOCATIONS. AS-BUILT ANY FIELD ADJUSTMENTS TO EQUIPMENT LOCATIONS.



BENCHMARK: DD 7/31/24

NORTH ELEVATION= (C.O.M. DATUM)

LOGAN SIMPSON

CITY OF MESA
ENGINEERING DEPARTMENT
MESA FIRE-MEDICAL STATION
NO. 223

DRAWING
IRRIGATION DETAILS
IR300

SHEET
11 of 11

CATALOG NUMBER:

DRAWN BY: MA
ENGINEER: WH
APPROVED BY: WH

ACTIVITY:
PROJ. No.: CT0124

NOT FOR CONSTRUCTION