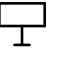




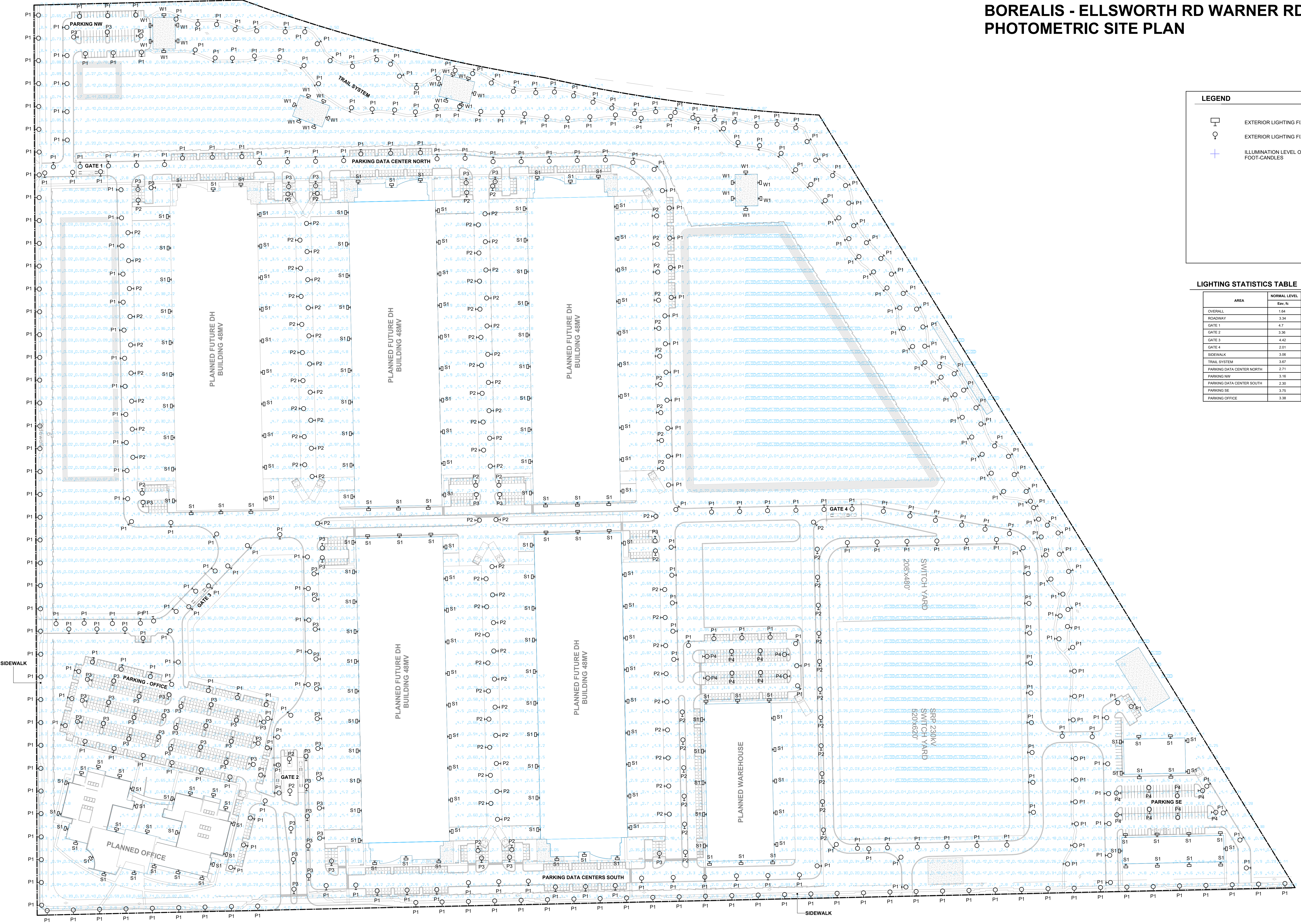
# BOREALIS - ELLSWORTH RD WARNER RD, MESA, AZ PHOTOMETRIC SITE PLAN

**LEGEND**

-  EXTERIOR LIGHTING FIXTURE - WALL PACK UNIT
-  EXTERIOR LIGHTING FIXTURE - POLE MOUNTED
-  ILLUMINATION LEVEL ON GRADE INDICATED IN FOOT-CANDELS

**LIGHTING STATISTICS TABLE**

AREA	NORMAL LEVEL Eav. fc
OVERALL	1.64
ROADWAY	3.34
GATE 1	4.7
GATE 2	3.36
GATE 3	4.42
GATE 4	2.01
BIKEWALK	3.06
TRAIL SYSTEM	3.07
PARKING DATA CENTER NORTH	2.71
PARKING NW	3.16
PARKING DATA CENTER SOUTH	2.30
PARKING SE	3.75
PARKING OFFICE	3.38





**BOREALIS - ELLSWORTH RD WARNER RD, MESA, AZ**  
**EXTERIOR LIGHTING CUT SHEET**

<b>MARK</b>	<b>TYPE</b>	<b>MANUFACTURER</b>	<b>MODEL</b>
S1	WALL-MOUTED	KENALL	SA26-2-W-H-P-288L-40K7-DCC-DV
S2	WALL-MOUTED	KENALL	SA26-4-W-H-P-288L-40K7-DCC-DV
P1	POLE LIGHT	KENALL	SA18-3-W-S-P-115L-40K7-DCC-DV
P2	POLE LIGHT	KENALL	SA18-5S-W-S-P-90L-40K7-DCC-DV
P3	POLE LIGHT	KENALL	SA26-5S-W-S-P-132L-40K8-DCC-DV
P4	POLE LIGHT	KENALL	SA18-5S-W-S-P-115L-40K7-DCC-DV
W1	WALLPACK	LITHONIA	DSXW1 LED 10C 700 30K T3M MVOLT

# SENSCAPE™

## Luminaires for Parks, Campus and Commercial Areas

### SA26 SERIES

#### PROJECT INFORMATION

Job Name \_\_\_\_\_

Fixture Type \_\_\_\_\_

Catalog Number \_\_\_\_\_

Approved by \_\_\_\_\_

#### PRODUCT FEATURES:

- » Architectural, modern design aesthetic scaled for mounting heights of 15-30 feet
- » Multiple mounting configuration and optical distribution options to suit all common area lighting scenarios
- » TekLink advanced wireless networked control and innovative Integrated Camera Module options
- » Lumen outputs up to 43,000lm with color temperatures ranging from 3000K to 5000K



POST TOP MOUNT



POLE MOUNT



WALL MOUNT

#### SPECIFICATIONS

**HOUSING:** Marine-grade die-cast aluminum construction. Integral aluminum heat sink with concealed air inlet and convection fins. All power electronics removed from primary thermal path; all drivers with dedicated heatsink to exterior of luminaire. TGIC polyester powder coat finish with five-step pre-treatment; salt-spray test 1,000 hours. See Ordering Information for available finishes. Closed-cell silicone gasketing at all housing interfaces.

**MOUNTING:** Post Top: Fitter assembly mounts over a 2-3/8" tenon on 3, 4 and 5 inch round and square poles and secured via six recessed, corrosion resistant set screws. Fitter design provides gentle transition to 3" O.D. round pole. Pole Mount: Internal bracket and hardware provided for drilled round and square 3 inch and larger poles. Wall Mount: Quick and simple mounting bracket allows four point mounting to rigid walls.

**OPTICS:** Type II, III, IV and V Square optical distributions. Each type available with Narrow, Medium and Wide options for glare mitigation (Wide has the lowest level of glare mitigation, Narrow the highest). Internal house-side shield available (does not impact EPA). Injection-molded acrylic or polycarbonate tertiary outer lens.

**ELECTRICAL:** Replaceable high-brightness LED array. See Ordering Information for color temperature options. 120-277VAC or 347V-480VAC, 50/60Hz input with replaceable high power factor electronic constant-current driver (<10% THD, >0.95 PF). Standard 0-10V dimming with 10-100% range. Minimum 85% driver efficiency. EMC performance compliant with FCC CFR Part 15. Serviceable surge protection device rated to 6kV per ANSI C62.41-2002 category C low.

**TEKLINK TL2000:** An adaptive lighting control system that utilizes a wireless communication scheme between system nodes. In addition to occupancy detection via camera and daylight harvesting, the TL2000 system features advanced scheduling and energy management capabilities with cloud-based control of system settings, reporting, and notifications.

**INTEGRATED CAMERA MODULE:** Flexible integration with 3rd party video or security platforms via WiFi or Ethernet. Camera supports 1080p at 30 frames per second. The ICM option is a stand-alone camera independent of the TekLink system.

**PHOTOMETRICS:** Photometry tested to the IESNA LM-79-08 standard by an ILAC/ISO17025 accredited laboratory. For photometric data, please go to [www.kenall.com](http://www.kenall.com).

**WARRANTY:** Limited five (5) year warranty.

**LISTINGS:** Luminaire is certified to UL Standards by Intertek Testing Laboratory for Wet Location. IP65 rating per IEC 60598. Luminaire is 3G tested for vibration per ANSI C136.31. Suitable for installation into -40°C to 40°C ambient environments.



#### ORDERING INFORMATION (Ex: SA26-PM-MB-4-M-H-P-166L-40K8-DCC-DV)

Model	Mounting	Finish	Distribution	Diffusion	House-Side	Lens Type	Lamp Power	Lamp Color	Driver	Voltage	Options	TekLink	Controls Kit
<b>SA26</b>												<b>DCC</b>	< > < >
<b>Mounting</b>				<b>Diffusion</b>				<b>Lamp Color</b>				<b>TekLink</b>	
<b>PT</b>	Post Top Mount			<b>N</b>	Narrow (Full Diffusion)			<b>30K8</b>	3000K/80CRI min			<b>TL2000*</b>	Wireless Network Control - Advanced (Click here for specifications)
<b>PM</b>	Pole Mount			<b>M</b>	Medium (Softened Diffusion)			<b>40K7</b>	4000K/70CRI min				Please consult Kenall Applications if your application requirements are not listed here.
<b>WM</b>	Wall Mount			<b>W</b>	Wide (Clear)			<b>40K8</b>	4000K/80CRI min				
								<b>50K7</b>	5000K/70CRI min				
<b>Finish</b>				<b>House-Side Shield</b>				<b>Driver Type</b>				<b>Controls Kit</b>	
<b>MW</b>	Matte White (PCTT80126)			<b>H*</b>	House-Side Shield			<b>DCC</b>	0-10V Dimming Constant Current			< >	Factory Assigned Internal Code
<b>LG</b>	Light Gray (PCTT70124)			<b>S</b>	No House-Side Shield			<b>Input Voltage</b>					
<b>BR</b>	Bronze (PCTT25109)							<b>DV</b>	120-277VAC, 50/60Hz				
<b>DB</b>	Dark Bronze (PCTT20123)			<b>Lens Type</b>				<b>CV</b>	347-480VAC, 50/60Hz				
<b>MB</b>	Matte Black (PCTT90115)			<b>P</b>	Polycarbonate								
<b>IV</b>	Ivory (PPL92485)			<b>A</b>	Acrylic			<b>Options</b>					
<b>FG</b>	Forest Green (PLGT3)			<b>Lamp Power</b>				<b>RL†</b>	Rotate optics 90 degrees Left				* n/a with 5S Distribution Type
<b>SL</b>	Silver (PCTT75112)			<b>108L</b>	108W LED			<b>RR†</b>	Rotate optics 90 degrees Right				▲ Flexible integration with 3rd party video or security platforms via WiFi or Ethernet (CAT5). Embedded camera supports 1080p at 30 frames per second
<b>CC</b>	Custom Color (consult factory)			<b>132L</b>	132W LED			<b>FS</b>	Single Fuse & Holder				† n/a with PT Mounting or 5S Distribution Type
				<b>166L</b>	166W LED			<b>N7P*</b>	NEMA 7 Pin Receptacle (Photocell by others)				▼ N7P, ICM and TL2000 are not available in conjunction
<b>Distribution Type</b>				<b>214L</b>	214W LED			<b>ICM**</b>	Integrated Camera Module				
<b>2</b>	Type II			<b>288L</b>	288W LED			<b>BG</b>	Bird Guard				
<b>3</b>	Type III							<b>WSW</b>	Wattstopper Wireless Control Node				
<b>4</b>	Type IV												
<b>5S</b>	Type V Square												



# SENSCAPE™

Luminaires for Parks, Campus and Commercial Areas

## SA26 SERIES

### PERFORMANCE

Optic Type	Optic Width	House-Side Shield	Lens Type	Luminaire Performance, by Lamp Power									
				108L		132L		166L		214L		288L	
				Lumens (lm)	BUG Rating	Lumens (lm)	BUG Rating	Lumens (lm)	BUG Rating	Lumens (lm)	BUG Rating	Lumens (lm)	BUG Rating
Type II	N	H	P	6,003	B1-U0-G1	7,354	B1-U0-G1	10,034	B1-U0-G1	12,555	B2-U0-G1	16,022	B2-U0-G2
		S		14,566	B3-U0-G2	17,845	B3-U0-G3	24,347	B4-U0-G3	30,463	B4-U0-G3	38,876	B5-U0-G3
	M	H		6,355	B1-U0-G1	7,785	B1-U0-G1	10,622	B1-U0-G2	13,291	B1-U0-G2	16,961	B2-U0-G2
		S		14,810	B3-U0-G2	18,144	B3-U0-G3	24,756	B4-U0-G3	30,974	B4-U0-G3	39,529	B5-U0-G4
	W	H		7,462	B1-U0-G2	9,141	B1-U0-G2	12,472	B1-U0-G2	15,605	B1-U0-G2	19,915	B2-U0-G3
		S		15,698	B3-U0-G3	19,231	B3-U0-G3	26,239	B4-U0-G3	32,830	B4-U0-G3	41,897	B4-U0-G4
Type III	N	H	P	5,775	B1-U0-G1	7,075	B1-U0-G1	9,653	B1-U0-G1	12,078	B2-U0-G1	15,414	B2-U0-G2
		S		14,432	B3-U0-G2	17,681	B3-U0-G3	24,124	B4-U0-G3	30,184	B4-U0-G3	38,519	B5-U0-G3
	M	H		6,117	B1-U0-G1	7,495	B1-U0-G1	10,225	B1-U0-G2	12,794	B1-U0-G2	16,327	B2-U0-G2
		S		14,639	B3-U0-G2	17,934	B3-U0-G3	24,469	B4-U0-G3	30,616	B4-U0-G3	39,071	B5-U0-G4
	W	H		7,176	B1-U0-G2	8,792	B1-U0-G2	11,995	B1-U0-G2	15,009	B1-U0-G2	19,153	B2-U0-G3
		S		15,506	B3-U0-G3	18,997	B3-U0-G3	25,919	B4-U0-G3	32,430	B4-U0-G3	41,386	B4-U0-G4
Type IV	N	H	P	6,388	B1-U0-G1	7,826	B1-U0-G1	10,678	B2-U0-G1	13,360	B2-U0-G2	17,050	B2-U0-G2
		S		14,730	B3-U0-G2	18,046	B3-U0-G3	24,621	B4-U0-G3	30,806	B4-U0-G3	39,314	B5-U0-G3
	M	H		6,684	B1-U0-G1	8,188	B1-U0-G2	11,172	B1-U0-G2	13,978	B2-U0-G2	17,839	B2-U0-G2
		S		14,934	B3-U0-G2	18,297	B3-U0-G3	24,963	B4-U0-G3	31,234	B4-U0-G3	39,860	B5-U0-G3
	W	H		7,811	B1-U0-G2	9,570	B1-U0-G2	13,057	B1-U0-G2	16,336	B1-U0-G3	20,848	B2-U0-G3
		S		15,748	B3-U0-G3	19,294	B3-U0-G3	26,324	B4-U0-G3	32,936	B4-U0-G4	42,032	B4-U0-G4
Type V Square	N	S	P	15,113	B3-U0-G1	18,515	B4-U0-G1	25,262	B4-U0-G2	31,608	B5-U0-G2	40,337	B5-U0-G2
	M			15,229	B3-U0-G2	18,658	B4-U0-G2	25,456	B4-U0-G2	31,851	B5-U0-G2	40,647	B5-U0-G3
	W			16,241	B4-U0-G2	19,897	B4-U0-G2	27,147	B5-U0-G3	33,967	B5-U0-G3	43,347	B5-U0-G4
Input Power (W)				115		146		178		229		306	
Input Current @ 277VAC (A)				0.430		0.546		0.660		0.905		1.160	
Calculated L70 (Hrs)				110,000		95,000		85,000		65,000		65,000	

NOTE: Product performance provided with 40K8 lamp color (108L & 132L) and 40K7 lamp color (all others). See Lamp Color Scaling Table for lumen multiplier required when specified in alternate colors. Information subject to change without notice. Please see [www.kenall.com](http://www.kenall.com) for additional information and .IES files.

### LAMP COLOR SCALING FACTOR

Lamp Power	30K8	40K7	40K8	50K7
108L / 132L	0.97	1.06	1.00	1.07
166L / 214L / 288L	0.81	1.00	0.88	1.00

### EPA DATA

Mounting	Pole Mount	Post Top
EPA	0.842 ft²	1.415 ft²
Weight	38 lbs	45 lbs

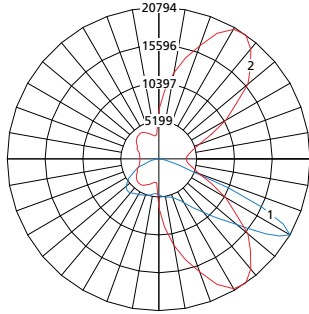


**SENSCAPE™**  
Luminaires for Parks, Campus and Commercial Areas  
**SA26 SERIES**

For additional photometry, go to [www.kenall.com](http://www.kenall.com)

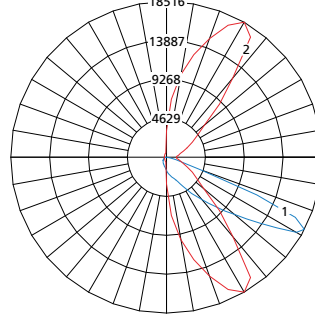
**PERFORMANCE**

Model: SA26-yy-zz-2-W-S-P-214L-40K7-DCC-DV



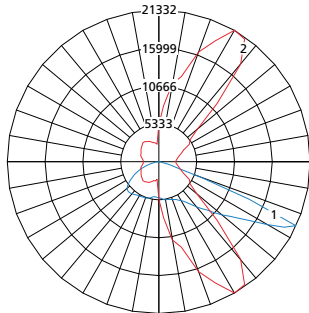
Max Candela = 20794 Located At Horizontal Angle = 60, Vertical Angle = 62.5  
 1 - Vertical Plane Through Horizontal Angles (60 - 240) (Through Max. Cd.)  
 2 - Horizontal Cone Through Vertical Angle (62.5) (Through Max. Cd.)

Model: SA26-yy-zz-2-W-H-P-214L-40K7-DCC-DV



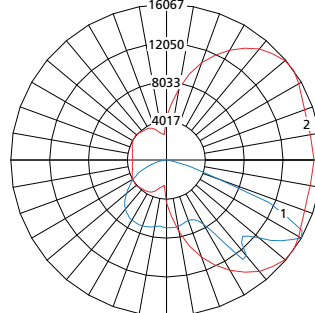
Max Candela = 18516 Located At Horizontal Angle = 60, Vertical Angle = 62.5  
 1 - Vertical Plane Through Horizontal Angles (60 - 240) (Through Max. Cd.)  
 2 - Horizontal Cone Through Vertical Angle (62.5) (Through Max. Cd.)

Model: SA26-yy-zz-3-W-S-P-214L-40K7-DCC-DV



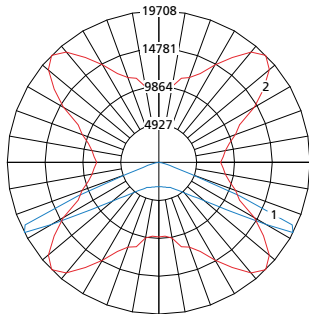
Max Candela = 21332 Located At Horizontal Angle = 60, Vertical Angle = 67.5  
 1 - Vertical Plane Through Horizontal Angles (60 - 240) (Through Max. Cd.)  
 2 - Horizontal Cone Through Vertical Angle (67.5) (Through Max. Cd.)

Model: SA26-yy-zz-4-W-S-P-214L-40K7-DCC-DV



Max Candela = 16067 Located At Horizontal Angle = 35, Vertical Angle = 65  
 1 - Vertical Plane Through Horizontal Angles (35 - 215) (Through Max. Cd.)  
 2 - Horizontal Cone Through Vertical Angle (65) (Through Max. Cd.)

Model: SA26-yy-zz-5S-W-S-P-214L-40K7-DCC-DV



Max Candela = 19708 Located At Horizontal Angle = 45, Vertical Angle = 65  
 1 - Vertical Plane Through Horizontal Angles (45 - 225) (Through Max. Cd.)  
 2 - Horizontal Cone Through Vertical Angle (65) (Through Max. Cd.)



[www.kenall.com](http://www.kenall.com)

P: 800-4-Kenall

F: 262-891-9701

10200 55th Street Kenosha, Wisconsin 53144

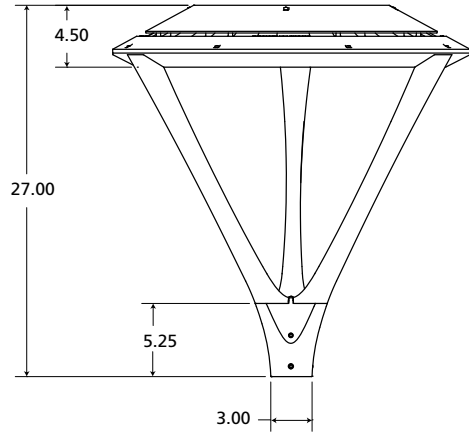
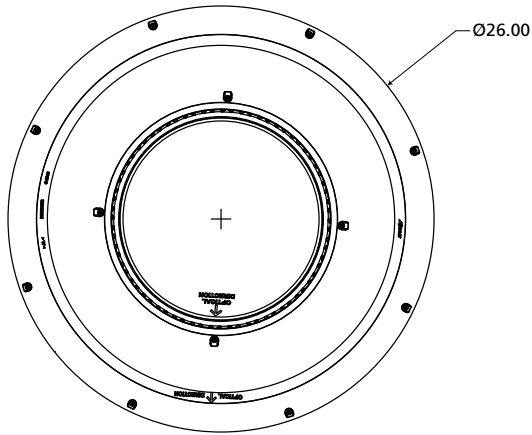
A brand of **legrand**

This product may be covered by patents found at [www.kenall.com/patents](http://www.kenall.com/patents). Content of specification sheets is subject to change; please consult [www.kenall.com](http://www.kenall.com) for current product details.  
 © 2022 Kenall Mfg. Co. All rights reserved.

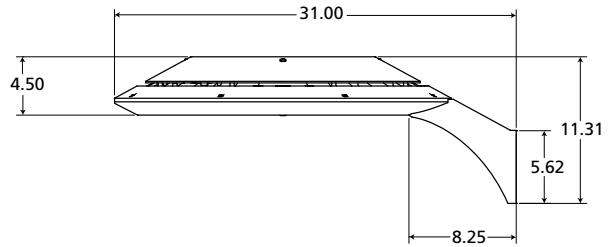
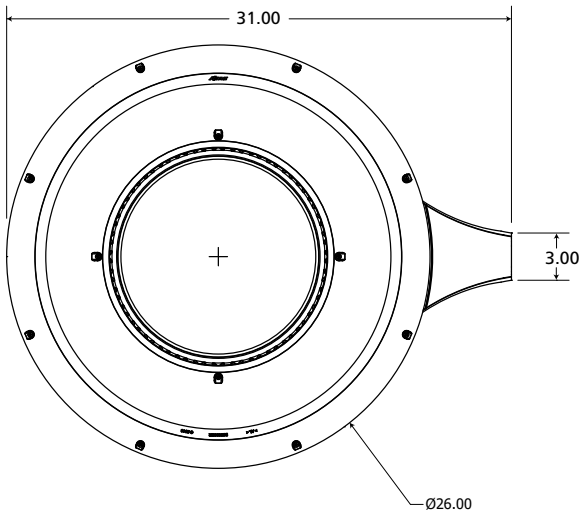
**SENSCAPE™**  
 Luminaires for Parks, Campus and Commercial Areas  
**SA26 SERIES**

**DIMENSIONAL DATA**

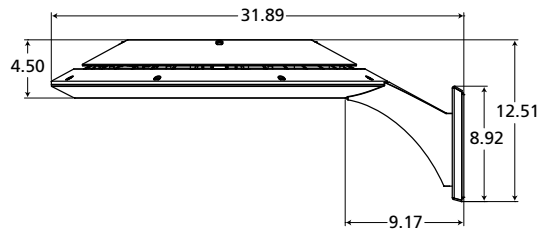
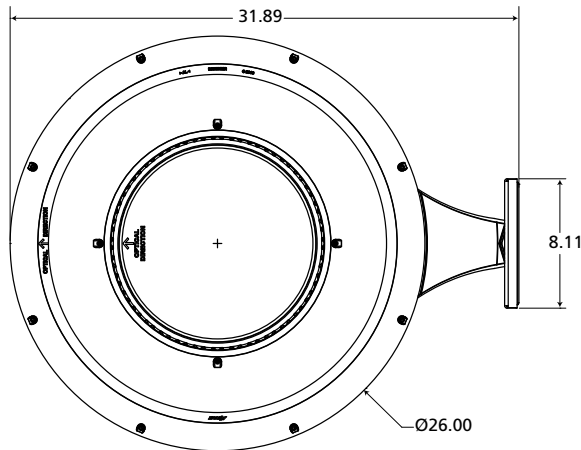
**Post Top Mount**



**Pole Mount**



**Wall Mount**



www.kenall.com

P: 800-4-Kenall

F: 262-891-9701

10200 55th Street Kenosha, Wisconsin 53144

A brand of **legrand**

This product may be covered by patents found at [www.kenall.com/patents](http://www.kenall.com/patents). Content of specification sheets is subject to change; please consult [www.kenall.com](http://www.kenall.com) for current product details.  
 © 2022 Kenall Mfg. Co. All rights reserved.



# SENSCAPE™

Luminaires for Parks, Campus and Commercial Areas

## SA26 SERIES

### PERFORMANCE

Optic Type	Optic Width	House-Side Shield	Lens Type	Luminaire Performance, by Lamp Power									
				108L		132L		166L		214L		288L	
				Lumens (lm)	BUG Rating	Lumens (lm)	BUG Rating	Lumens (lm)	BUG Rating	Lumens (lm)	BUG Rating	Lumens (lm)	BUG Rating
Type II	N	H	P	6,003	B1-U0-G1	7,354	B1-U0-G1	10,034	B1-U0-G1	12,555	B2-U0-G1	16,022	B2-U0-G2
		S		14,566	B3-U0-G2	17,845	B3-U0-G3	24,347	B4-U0-G3	30,463	B4-U0-G3	38,876	B5-U0-G3
	M	H		6,355	B1-U0-G1	7,785	B1-U0-G1	10,622	B1-U0-G2	13,291	B1-U0-G2	16,961	B2-U0-G2
		S		14,810	B3-U0-G2	18,144	B3-U0-G3	24,756	B4-U0-G3	30,974	B4-U0-G3	39,529	B5-U0-G4
	W	H		7,462	B1-U0-G2	9,141	B1-U0-G2	12,472	B1-U0-G2	15,605	B1-U0-G2	19,915	B2-U0-G3
		S		15,698	B3-U0-G3	19,231	B3-U0-G3	26,239	B4-U0-G3	32,830	B4-U0-G3	41,897	B4-U0-G4
Type III	N	H	P	5,775	B1-U0-G1	7,075	B1-U0-G1	9,653	B1-U0-G1	12,078	B2-U0-G1	15,414	B2-U0-G2
		S		14,432	B3-U0-G2	17,681	B3-U0-G3	24,124	B4-U0-G3	30,184	B4-U0-G3	38,519	B5-U0-G3
	M	H		6,117	B1-U0-G1	7,495	B1-U0-G1	10,225	B1-U0-G2	12,794	B1-U0-G2	16,327	B2-U0-G2
		S		14,639	B3-U0-G2	17,934	B3-U0-G3	24,469	B4-U0-G3	30,616	B4-U0-G3	39,071	B5-U0-G4
	W	H		7,176	B1-U0-G2	8,792	B1-U0-G2	11,995	B1-U0-G2	15,009	B1-U0-G2	19,153	B2-U0-G3
		S		15,506	B3-U0-G3	18,997	B3-U0-G3	25,919	B4-U0-G3	32,430	B4-U0-G3	41,386	B4-U0-G4
Type IV	N	H	P	6,388	B1-U0-G1	7,826	B1-U0-G1	10,678	B2-U0-G1	13,360	B2-U0-G2	17,050	B2-U0-G2
		S		14,730	B3-U0-G2	18,046	B3-U0-G3	24,621	B4-U0-G3	30,806	B4-U0-G3	39,314	B5-U0-G3
	M	H		6,684	B1-U0-G1	8,188	B1-U0-G2	11,172	B1-U0-G2	13,978	B2-U0-G2	17,839	B2-U0-G2
		S		14,934	B3-U0-G2	18,297	B3-U0-G3	24,963	B4-U0-G3	31,234	B4-U0-G3	39,860	B5-U0-G3
	W	H		7,811	B1-U0-G2	9,570	B1-U0-G2	13,057	B1-U0-G2	16,336	B1-U0-G3	20,848	B2-U0-G3
		S		15,748	B3-U0-G3	19,294	B3-U0-G3	26,324	B4-U0-G3	32,936	B4-U0-G4	42,032	B4-U0-G4
Type V Square	N	S	P	15,113	B3-U0-G1	18,515	B4-U0-G1	25,262	B4-U0-G2	31,608	B5-U0-G2	40,337	B5-U0-G2
	M			15,229	B3-U0-G2	18,658	B4-U0-G2	25,456	B4-U0-G2	31,851	B5-U0-G2	40,647	B5-U0-G3
	W			16,241	B4-U0-G2	19,897	B4-U0-G2	27,147	B5-U0-G3	33,967	B5-U0-G3	43,347	B5-U0-G4
Input Power (W)				115		146		178		229		306	
Input Current @ 277VAC (A)				0.430		0.546		0.660		0.905		1.160	
Calculated L70 (Hrs)				110,000		95,000		85,000		65,000		65,000	

NOTE: Product performance provided with 40K8 lamp color (108L & 132L) and 40K7 lamp color (all others). See Lamp Color Scaling Table for lumen multiplier required when specified in alternate colors. Information subject to change without notice. Please see [www.kenall.com](http://www.kenall.com) for additional information and .IES files.

### LAMP COLOR SCALING FACTOR

Lamp Power	30K8	40K7	40K8	50K7
108L / 132L	0.97	1.06	1.00	1.07
166L / 214L / 288L	0.81	1.00	0.88	1.00

### EPA DATA

Mounting	Pole Mount	Post Top
EPA	0.842 ft²	1.415 ft²
Weight	38 lbs	45 lbs



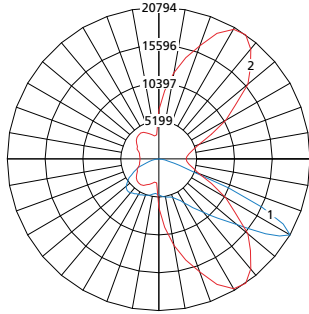


**SENSCAPE™**  
Luminaires for Parks, Campus and Commercial Areas  
**SA26 SERIES**

For additional photometry, go to [www.kenall.com](http://www.kenall.com)

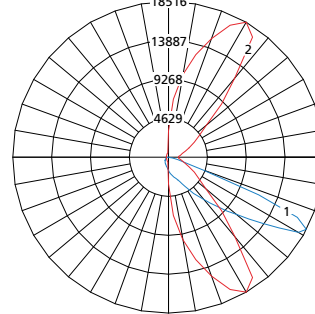
**PERFORMANCE**

Model: SA26-yy-zz-2-W-S-P-214L-40K7-DCC-DV



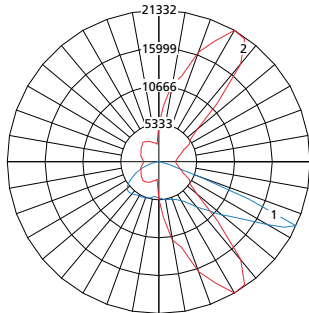
Max Candela = 20794 Located At Horizontal Angle = 60, Vertical Angle = 62.5  
 1 - Vertical Plane Through Horizontal Angles (60 - 240) (Through Max. Cd.)  
 2 - Horizontal Cone Through Vertical Angle (62.5) (Through Max. Cd.)

Model: SA26-yy-zz-2-W-H-P-214L-40K7-DCC-DV



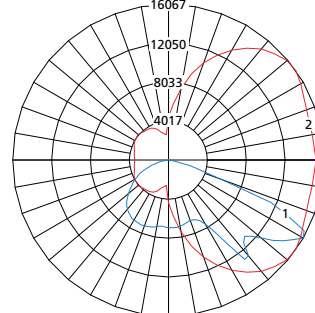
Max Candela = 18516 Located At Horizontal Angle = 60, Vertical Angle = 62.5  
 1 - Vertical Plane Through Horizontal Angles (60 - 240) (Through Max. Cd.)  
 2 - Horizontal Cone Through Vertical Angle (62.5) (Through Max. Cd.)

Model: SA26-yy-zz-3-W-S-P-214L-40K7-DCC-DV



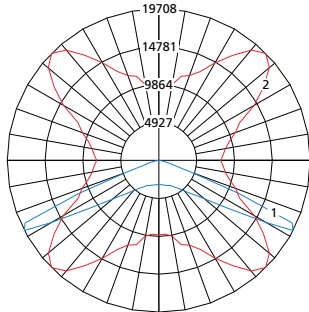
Max Candela = 21332 Located At Horizontal Angle = 60, Vertical Angle = 67.5  
 1 - Vertical Plane Through Horizontal Angles (60 - 240) (Through Max. Cd.)  
 2 - Horizontal Cone Through Vertical Angle (67.5) (Through Max. Cd.)

Model: SA26-yy-zz-4-W-S-P-214L-40K7-DCC-DV



Max Candela = 16067 Located At Horizontal Angle = 35, Vertical Angle = 65  
 1 - Vertical Plane Through Horizontal Angles (35 - 215) (Through Max. Cd.)  
 2 - Horizontal Cone Through Vertical Angle (65) (Through Max. Cd.)

Model: SA26-yy-zz-5S-W-S-P-214L-40K7-DCC-DV



Max Candela = 19708 Located At Horizontal Angle = 45, Vertical Angle = 65  
 1 - Vertical Plane Through Horizontal Angles (45 - 225) (Through Max. Cd.)  
 2 - Horizontal Cone Through Vertical Angle (65) (Through Max. Cd.)



[www.kenall.com](http://www.kenall.com)

P: 800-4-Kenall

F: 262-891-9701

10200 55th Street Kenosha, Wisconsin 53144

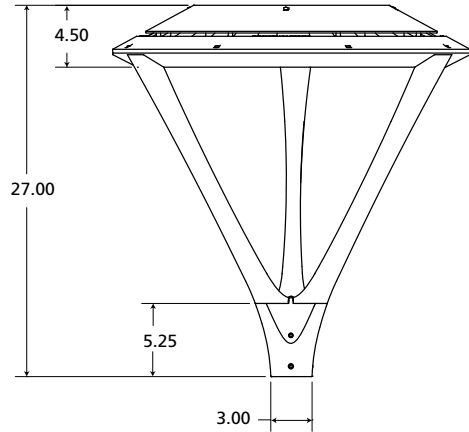
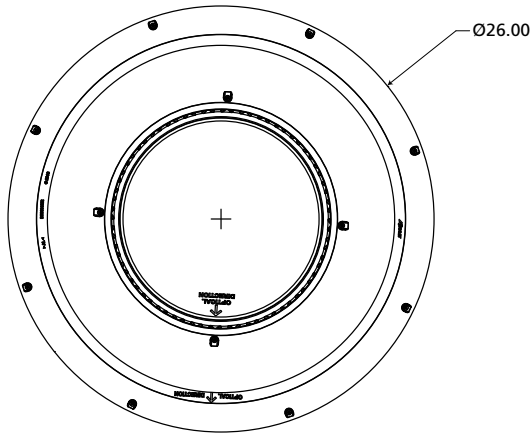
A brand of **legrand**

This product may be covered by patents found at [www.kenall.com/patents](http://www.kenall.com/patents). Content of specification sheets is subject to change; please consult [www.kenall.com](http://www.kenall.com) for current product details.  
 © 2022 Kenall Mfg. Co. All rights reserved.

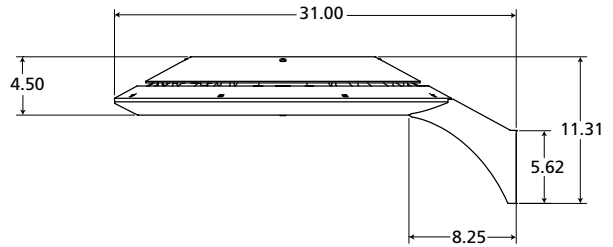
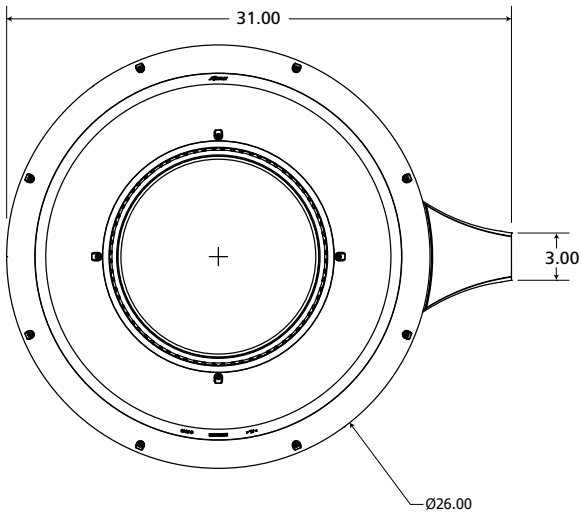
**SENSCAPE™**  
 Luminaires for Parks, Campus and Commercial Areas  
**SA26 SERIES**

**DIMENSIONAL DATA**

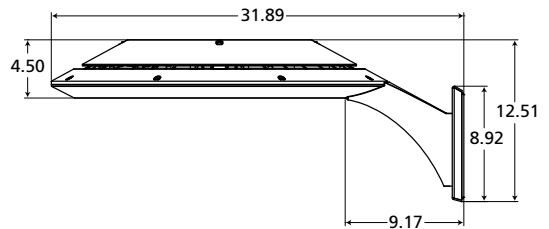
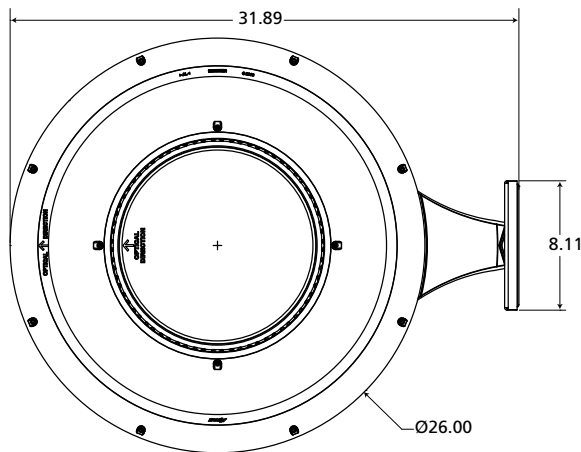
**Post Top Mount**



**Pole Mount**



**Wall Mount**



www.kenall.com

P: 800-4-Kenall

F: 262-891-9701

10200 55th Street Kenosha, Wisconsin 53144

A brand of **legrand**

This product may be covered by patents found at [www.kenall.com/patents](http://www.kenall.com/patents). Content of specification sheets is subject to change; please consult [www.kenall.com](http://www.kenall.com) for current product details.  
 © 2022 Kenall Mfg. Co. All rights reserved.

# SENSCAPE™

## Luminaires for Parks, Campus and Commercial Areas

### SA18 SERIES

#### PROJECT INFORMATION

Job Name \_\_\_\_\_

Fixture Type \_\_\_\_\_

Catalog Number \_\_\_\_\_

Approved by \_\_\_\_\_

#### PRODUCT FEATURES:

- » Architectural, modern design aesthetic scaled for mounting heights of 9-20 feet
- » Multiple mounting configuration and optical distribution options to suit all common area lighting scenarios
- » TekLink advanced wireless networked control and innovative Integrated Camera Module options
- » Lumen outputs up to 16,000lm with color temperatures ranging from 3000K to 5000K



POST TOP MOUNT



POLE MOUNT



WALL MOUNT

#### SPECIFICATIONS

**HOUSING:** Marine-grade die-cast aluminum construction. Integral aluminum heat sink with concealed air inlet and convection fins. All power electronics removed from primary thermal path; all drivers with dedicated heatsink to exterior of luminaire. TGIC polyester powder coat finish with five-step pre-treatment; salt-spray test 1,000 hours. See Ordering Information for available finishes. Closed-cell silicone gasketing at all housing interfaces.

**MOUNTING:** Post Top: Fitter assembly mounts over a 2-3/8" tenon on 3, 4 and 5 inch round and square poles and secured via four (4), corrosion resistant set screws. Fitter design provides gentle transition to 3" O.D. round pole. Pole Mount: Internal bracket and hardware provided for drilled round and square 3 inch and larger poles. Wall Mount: Quick and simple mounting bracket allows four point mounting to rigid walls.

**OPTICS:** Type II, III, IV and V Square optical distributions. Each type available with Narrow, Medium and Wide options for glare mitigation (Wide has the lowest level of glare mitigation, Narrow the highest). Internal house-side shield available (does not impact EPA). Injection-molded acrylic or polycarbonate tertiary outer lens.

**ELECTRICAL:** Replaceable high-brightness LED array. See Ordering Information for color temperature options. 120-277VAC or 277-480VAC, 50/60Hz input with replaceable high power factor electronic constant-current driver (<10% THD, >0.95 PF). Standard 0-10V dimming with 10-100% range; dim-to-dark capabilities on 90L/115L; 0.9mA max source current. Minimum 85% driver efficiency. EMC performance compliant with FCC CFR Part 15. Serviceable surge protection device rated to 6kV per ANSI C62.41-2002 category C low.

**TEKLINK TL2000:** An adaptive lighting control system that utilizes a wireless communication scheme between system nodes. In addition to occupancy detection via camera and daylight harvesting, the TL2000 system features advanced scheduling and energy management capabilities with cloud-based control of system settings, reporting, and notifications.

**INTEGRATED CAMERA MODULE:** Flexible integration with 3rd party video or security platforms via WiFi or Ethernet. Camera supports 1080p at 30 frames per second. The ICM option is a stand-alone camera independent of the TekLink system.

**PHOTOMETRICS:** Photometry tested to the IESNA LM-79-08 standard by an ILAC/ISO17025 accredited laboratory. For photometric data, please go to [www.kenall.com](http://www.kenall.com).

**WARRANTY:** Limited five (5) year warranty.

**LISTINGS:** Luminaire is certified to UL Standards by Intertek Testing Laboratory for Wet Location. IP65 rating per IEC 60598. Luminaire is 3G tested for vibration per ANSI C136.31. Suitable for installation into -40°C to 40°C ambient environments.



#### ORDERING INFORMATION (Ex: SA18-PM-MB-4-M-H-P-115L-40K8-DCC-CV)

Model	Mounting	Finish	Distribution	Diffusion	House-Side	Lens Type	Lamp Power	Lamp Color	Driver	Voltage	Options	TekLink	Controls Kit
<b>SA18</b>											<b>DCC</b>	<	>
<b>Mounting</b>				<b>Diffusion</b>			<b>Lamp Color</b>					<b>TekLink</b>	
<b>PT</b>	Post Top Mount			<b>N</b>	Narrow (Full Diffusion)		<b>30K8</b>	3000K/80CRI min				<b>TL2000*</b>	Wireless Network Control - Advanced
<b>PM</b>	Pole Mount			<b>M</b>	Medium (Softened Diffusion)		<b>40K7</b>	4000K/70CRI min					( <a href="#">Click here for specifications</a> )
<b>WM</b>	Wall Mount			<b>W</b>	Wide (Clear)		<b>40K8</b>	4000K/80CRI min					
							<b>50K7</b>	5000K/70CRI min					Please consult Kenall Applications if your application requirements are not listed here.
<b>Finish</b>				<b>House-Side Shield</b>			<b>Driver Type</b>					<b>Controls Kit</b>	
<b>MW</b>	Matte White (PCTT80126)			<b>H*</b>	House-Side Shield		<b>DCC</b>	0-10V Dimming Constant Current				<	>
<b>LG</b>	Light Gray (PCTT70124)			<b>S</b>	No House-Side Shield								Factory Assigned Internal Code
<b>BR</b>	Bronze (PCTT25109)						<b>Input Voltage</b>						
<b>DB</b>	Dark Bronze (PCTT20123)			<b>Lens Type</b>			<b>DV‡</b>	120-277VAC, 50/60Hz					
<b>MB</b>	Matte Black (PCTT90115)			<b>P</b>	Polycarbonate		<b>CV</b>	277-480VAC, 50/60Hz					
<b>IV</b>	Ivory (PPL92485)			<b>A</b>	Acrylic								
<b>FG</b>	Forest Green (PLGT3)			<b>Lamp Power</b>			<b>Options</b>						
<b>SL</b>	Silver (PCTT75112)			<b>30L</b>	30W LED		<b>RL†</b>	Rotate optics 90 degrees left					
<b>CC</b>	Custom Color (consult factory)			<b>45L</b>	45W LED		<b>RR†</b>	Rotate optics 90 degrees Right					
				<b>70L</b>	70W LED		<b>FS</b>	Single Fuse & Holder					
<b>Distribution Type</b>				<b>90L</b>	90W LED		<b>N7P*</b>	NEMA 7 Pin Receptacle (Photocell by others)					
<b>2</b>	Type II			<b>115L</b>	115W LED		<b>ICM**</b>	Integrated Camera Module					
<b>3</b>	Type III						<b>BG</b>	Bird Guard					
<b>4</b>	Type IV						<b>WSW</b>	Wattstopper Wireless Control Node					
<b>5S</b>	Type V Square												





**SENSCAPE™**  
Luminaires for Parks, Campus and Commercial Areas

**SA18 SERIES**

**PERFORMANCE**

Optic Type	Optic Width	House-Side Shield	Lens Type	Luminaire Performance, by Lamp Power									
				30L		45L		70L		90L		115L	
				Lumens (lm)	BUG Rating	Lumens (lm)	BUG Rating	Lumens (lm)	BUG Rating	Lumens (lm)	BUG Rating	Lumens (lm)	BUG Rating
Type II	N	H	P	1,738	B1-U0-G1	2,658	B1-U0-G1	3,540	B1-U0-G1	4,223	B1-U0-G1	6,471	B2-U0-G1
		S		3,712	B1-U0-G1	5,678	B2-U0-G1	7,562	B2-U0-G2	9,021	B3-U0-G2	13,825	B3-U0-G2
	M	H		1,994	B0-U0-G0	3,051	B0-U0-G1	4,062	B1-U0-G1	4,847	B1-U0-G1	7,427	B1-U0-G1
		S		3,937	B1-U0-G1	6,022	B2-U0-G1	8,020	B2-U0-G2	9,568	B2-U0-G2	14,662	B3-U0-G2
	W	H		2,217	B0-U0-G0	3,391	B0-U0-G1	4,515	B0-U0-G1	5,387	B1-U0-G1	8,255	B1-U0-G2
		S		4,107	B1-U0-G1	6,283	B2-U0-G1	8,367	B2-U0-G2	9,982	B2-U0-G2	15,297	B3-U0-G2
Type III	N	H	P	1,662	B1-U0-G0	2,543	B1-U0-G1	3,386	B1-U0-G1	4,040	B1-U0-G1	6,191	B2-U0-G1
		S		3,757	B1-U0-G1	5,747	B2-U0-G1	7,654	B2-U0-G2	9,131	B3-U0-G2	13,993	B3-U0-G3
	M	H		1,906	B0-U0-G1	2,915	B0-U0-G1	3,882	B1-U0-G1	4,631	B1-U0-G1	7,097	B1-U0-G1
		S		4,004	B1-U0-G1	6,125	B2-U0-G1	8,157	B2-U0-G2	9,732	B2-U0-G2	14,914	B3-U0-G2
	W	H		2,102	B0-U0-G0	3,216	B0-U0-G1	4,283	B1-U0-G1	5,110	B1-U0-G1	7,830	B1-U0-G2
		S		4,114	B1-U0-G1	6,293	B2-U0-G1	8,380	B2-U0-G2	9,998	B2-U0-G2	15,321	B3-U0-G3
Type IV	N	H	P	1,834	B1-U0-G1	2,806	B1-U0-G1	3,737	B1-U0-G1	4,458	B1-U0-G1	6,832	B2-U0-G1
		S		3,862	B1-U0-G1	5,907	B2-U0-G1	7,867	B3-U0-G2	9,385	B3-U0-G2	14,383	B3-U0-G3
	M	H		2,066	B0-U0-G1	3,161	B1-U0-G1	4,209	B1-U0-G1	5,022	B1-U0-G1	7,696	B1-U0-G1
		S		4,064	B1-U0-G1	6,216	B2-U0-G1	8,278	B2-U0-G2	9,876	B3-U0-G2	15,135	B3-U0-G2
	W	H		2,307	B0-U0-G0	3,529	B0-U0-G1	4,700	B1-U0-G1	5,607	B1-U0-G1	8,592	B1-U0-G2
		S		4,162	B1-U0-G1	6,367	B2-U0-G1	8,479	B2-U0-G2	10,116	B2-U0-G2	15,502	B3-U0-G2
Type V Square	N	S	P	3,960	B2-U0-G1	6,058	B2-U0-G1	8,067	B2-U0-G1	9,624	B3-U0-G1	14,749	B3-U0-G1
	M			4,177	B2-U0-G1	6,390	B2-U0-G1	8,509	B3-U0-G1	10,151	B3-U0-G1	15,557	B3-U0-G2
	W			4,327	B2-U0-G1	6,619	B3-U0-G1	8,815	B3-U0-G1	10,516	B3-U0-G1	16,116	B4-U0-G2
Input Power (W)				35		54		78		100		141	
Input Current @ 277VAC (A)				0.137		0.201		0.294		0.377		0.521	
Calculated L70 (Hrs)				110,000		90,000		75,000		65,000		80,000	

NOTE: Product performance provided with 40K7 lamp color. See Lamp Color Scaling Table for lumen multiplier required when specified in alternate colors. Information subject to change without notice. Please see [www.kenall.com](http://www.kenall.com) for additional information and .IES files.

**LAMP COLOR SCALING FACTOR**

Lamp Power	30K8	40K7	40K8	50K7
ALL	0.92	1.00	0.94	1.01

**EPA DATA**

Mounting	Pole Mount	Post Top
EPA	0.577 ft²	0.769 ft²
Weight	20 lbs	20 lbs

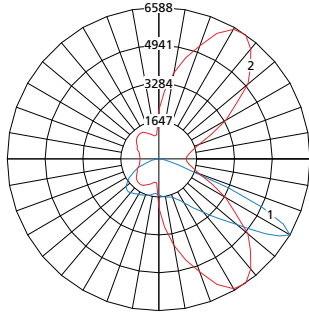


**SENSCAPE™**  
Luminaires for Parks, Campus and Commercial Areas  
**SA18 SERIES**

For additional photometry, go to [www.kenall.com](http://www.kenall.com)

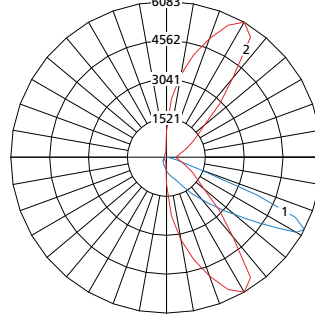
**PERFORMANCE**

Model: SA18-yy-zz-2-W-S-P-90L-40K7-DCC-DV



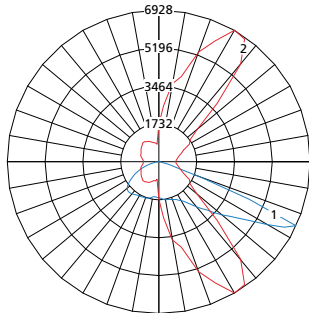
Max Candela = 6588 Located At Horizontal Angle = 55, Vertical Angle = 60  
 1 - Vertical Plane Through Horizontal Angles (55 - 235) (Through Max. Cd.)  
 2 - Horizontal Cone Through Vertical Angle (60) (Through Max. Cd.)

Model: SA18-yy-zz-2-W-H-P-90L-40K7-DCC-DV



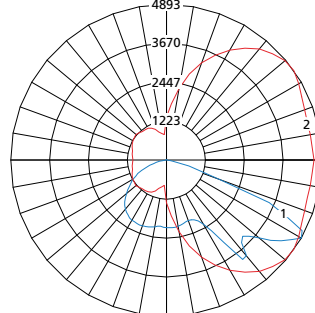
Max Candela = 6083 Located At Horizontal Angle = 60, Vertical Angle = 62.5  
 1 - Vertical Plane Through Horizontal Angles (60 - 240) (Through Max. Cd.)  
 2 - Horizontal Cone Through Vertical Angle (62.5) (Through Max. Cd.)

Model: SA18-yy-zz-3-W-S-P-90L-40K7-DCC-DV



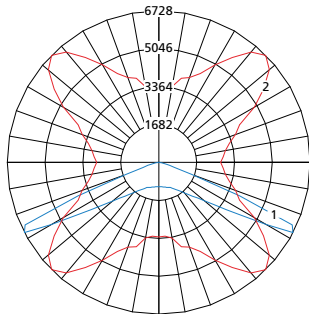
Max Candela = 6928 Located At Horizontal Angle = 60, Vertical Angle = 65  
 1 - Vertical Plane Through Horizontal Angles (60 - 240) (Through Max. Cd.)  
 2 - Horizontal Cone Through Vertical Angle (65) (Through Max. Cd.)

Model: SA18-yy-zz-4-W-S-P-90L-40K7-DCC-DV



Max Candela = 4893 Located At Horizontal Angle = 35, Vertical Angle = 60  
 1 - Vertical Plane Through Horizontal Angles (35 - 215) (Through Max. Cd.)  
 2 - Horizontal Cone Through Vertical Angle (60) (Through Max. Cd.)

Model: SA18-yy-zz-5S-W-S-P-90L-40K7-DCC-DV



Max Candela = 6728 Located At Horizontal Angle = 45, Vertical Angle = 62.5  
 1 - Vertical Plane Through Horizontal Angles (45 - 225) (Through Max. Cd.)  
 2 - Horizontal Cone Through Vertical Angle (62.5) (Through Max. Cd.)



[www.kenall.com](http://www.kenall.com)

P: 800-4-Kenall

F: 262-891-9701

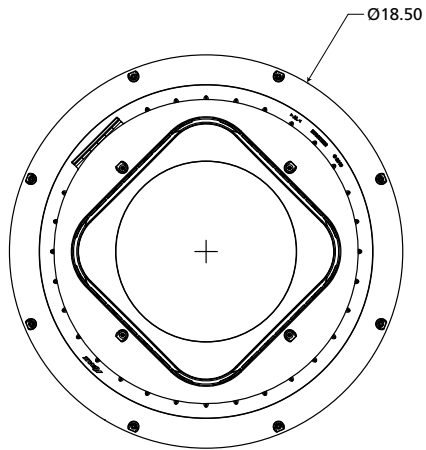
10200 55th Street Kenosha, Wisconsin 53144

A brand of **legrand**

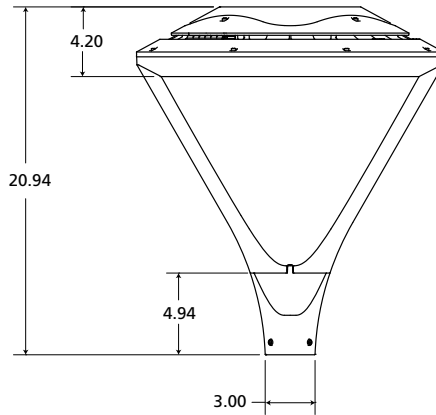
This product may be covered by patents found at [www.kenall.com/patents](http://www.kenall.com/patents). Content of specification sheets is subject to change; please consult [www.kenall.com](http://www.kenall.com) for current product details.  
 © 2022 Kenall Mfg. Co. All rights reserved.

**SENSCAPE™**  
 Luminaires for Parks, Campus and Commercial Areas  
**SA18 SERIES**

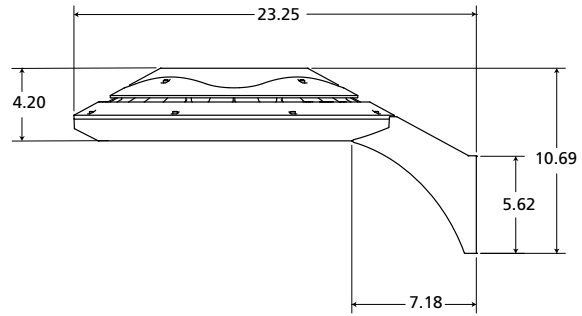
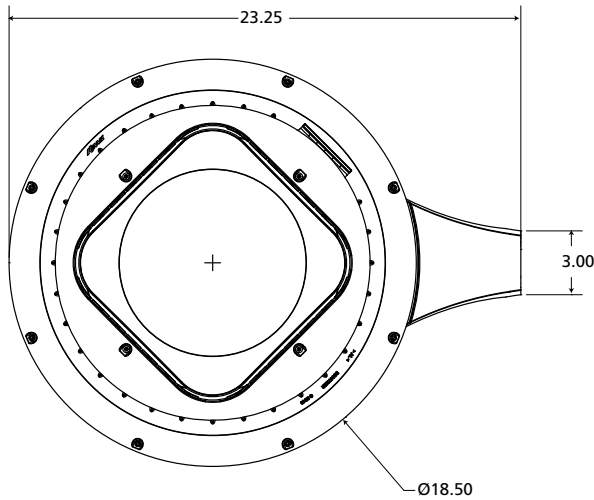
**DIMENSIONAL DATA**



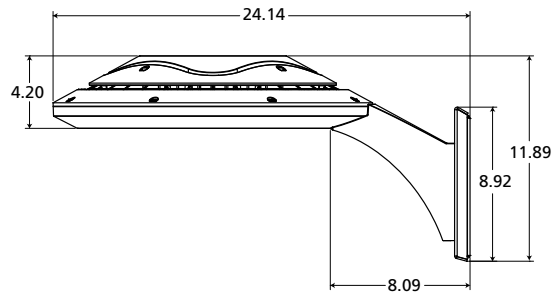
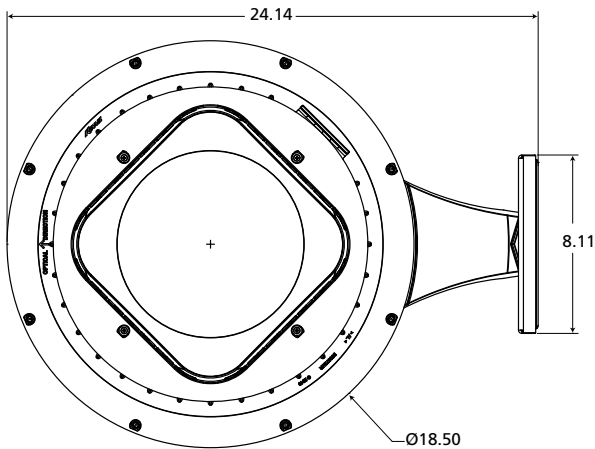
**Post Top Mount**



**Pole Mount**



**Wall Mount**



www.kenall.com

P: 800-4-Kenall

F: 262-891-9701

10200 55th Street Kenosha, Wisconsin 53144

A brand of **legrand**

This product may be covered by patents found at [www.kenall.com/patents](http://www.kenall.com/patents). Content of specification sheets is subject to change; please consult [www.kenall.com](http://www.kenall.com) for current product details.  
 © 2022 Kenall Mfg. Co. All rights reserved.



# SENSCAPE™

## Luminaires for Parks, Campus and Commercial Areas

### SA18 SERIES

#### PROJECT INFORMATION

Job Name \_\_\_\_\_

Fixture Type \_\_\_\_\_

Catalog Number \_\_\_\_\_

Approved by \_\_\_\_\_

#### PRODUCT FEATURES:

- » Architectural, modern design aesthetic scaled for mounting heights of 9-20 feet
- » Multiple mounting configuration and optical distribution options to suit all common area lighting scenarios
- » TekLink advanced wireless networked control and innovative Integrated Camera Module options
- » Lumen outputs up to 16,000lm with color temperatures ranging from 3000K to 5000K



POST TOP MOUNT



POLE MOUNT



WALL MOUNT

#### SPECIFICATIONS

**HOUSING:** Marine-grade die-cast aluminum construction. Integral aluminum heat sink with concealed air inlet and convection fins. All power electronics removed from primary thermal path; all drivers with dedicated heatsink to exterior of luminaire. TGIC polyester powder coat finish with five-step pre-treatment; salt-spray test 1,000 hours. See Ordering Information for available finishes. Closed-cell silicone gasketing at all housing interfaces.

**MOUNTING:** Post Top: Fitter assembly mounts over a 2-3/8" tenon on 3, 4 and 5 inch round and square poles and secured via four (4), corrosion resistant set screws. Fitter design provides gentle transition to 3" O.D. round pole. Pole Mount: Internal bracket and hardware provided for drilled round and square 3 inch and larger poles. Wall Mount: Quick and simple mounting bracket allows four point mounting to rigid walls.

**OPTICS:** Type II, III, IV and V Square optical distributions. Each type available with Narrow, Medium and Wide options for glare mitigation (Wide has the lowest level of glare mitigation, Narrow the highest). Internal house-side shield available (does not impact EPA). Injection-molded acrylic or polycarbonate tertiary outer lens.

**ELECTRICAL:** Replaceable high-brightness LED array. See Ordering Information for color temperature options. 120-277VAC or 277-480VAC, 50/60Hz input with replaceable high power factor electronic constant-current driver (<10% THD, >0.95 PF). Standard 0-10V dimming with 10-100% range; dim-to-dark capabilities on 90L/115L; 0.9mA max source current. Minimum 85% driver efficiency. EMC performance compliant with FCC CFR Part 15. Serviceable surge protection device rated to 6kV per ANSI C62.41-2002 category C low.

**TEKLINK TL2000:** An adaptive lighting control system that utilizes a wireless communication scheme between system nodes. In addition to occupancy detection via camera and daylight harvesting, the TL2000 system features advanced scheduling and energy management capabilities with cloud-based control of system settings, reporting, and notifications.

**INTEGRATED CAMERA MODULE:** Flexible integration with 3rd party video or security platforms via WiFi or Ethernet. Camera supports 1080p at 30 frames per second. The ICM option is a stand-alone camera independent of the TekLink system.

**PHOTOMETRICS:** Photometry tested to the IESNA LM-79-08 standard by an ILAC/ISO17025 accredited laboratory. For photometric data, please go to [www.kenall.com](http://www.kenall.com).

**WARRANTY:** Limited five (5) year warranty.

**LISTINGS:** Luminaire is certified to UL Standards by Intertek Testing Laboratory for Wet Location. IP65 rating per IEC 60598. Luminaire is 3G tested for vibration per ANSI C136.31. Suitable for installation into -40°C to 40°C ambient environments.



#### ORDERING INFORMATION (Ex: SA18-PM-MB-4-M-H-P-115L-40K8-DCC-CV)

Model	Mounting	Finish	Distribution	Diffusion	House-Side	Lens Type	Lamp Power	Lamp Color	Driver	Voltage	Options	TekLink	Controls Kit
<b>SA18</b>											<b>DCC</b>	<	>
<b>Mounting</b>				<b>Diffusion</b>			<b>Lamp Color</b>					<b>TekLink</b>	
<b>PT</b>	Post Top Mount			<b>N</b>	Narrow (Full Diffusion)		<b>30K8</b>	3000K/80CRI min				<b>TL2000*</b>	Wireless Network Control - Advanced
<b>PM</b>	Pole Mount			<b>M</b>	Medium (Softened Diffusion)		<b>40K7</b>	4000K/70CRI min					<a href="#">(Click here for specifications)</a>
<b>WM</b>	Wall Mount			<b>W</b>	Wide (Clear)		<b>40K8</b>	4000K/80CRI min					
							<b>50K7</b>	5000K/70CRI min					Please consult Kenall Applications if your application requirements are not listed here.
<b>Finish</b>				<b>House-Side Shield</b>			<b>Driver Type</b>					<b>Controls Kit</b>	
<b>MW</b>	Matte White (PCTT80126)			<b>H*</b>	House-Side Shield		<b>DCC</b>	0-10V Dimming Constant Current				<	>
<b>LG</b>	Light Gray (PCTT70124)			<b>S</b>	No House-Side Shield								Factory Assigned Internal Code
<b>BR</b>	Bronze (PCTT25109)						<b>Input Voltage</b>						
<b>DB</b>	Dark Bronze (PCTT20123)			<b>Lens Type</b>			<b>DV‡</b>	120-277VAC, 50/60Hz					
<b>MB</b>	Matte Black (PCTT90115)			<b>P</b>	Polycarbonate		<b>CV</b>	277-480VAC, 50/60Hz					
<b>IV</b>	Ivory (PPL92485)			<b>A</b>	Acrylic								
<b>FG</b>	Forest Green (PLGT3)			<b>Lamp Power</b>			<b>Options</b>						
<b>SL</b>	Silver (PCTT75112)			<b>30L</b>	30W LED		<b>RL†</b>	Rotate optics 90 degrees left					
<b>CC</b>	Custom Color (consult factory)			<b>45L</b>	45W LED		<b>RR†</b>	Rotate optics 90 degrees Right					
				<b>70L</b>	70W LED		<b>FS</b>	Single Fuse & Holder					
<b>Distribution Type</b>				<b>90L</b>	90W LED		<b>N7P*</b>	NEMA 7 Pin Receptacle (Photocell by others)					
<b>2</b>	Type II			<b>115L</b>	115W LED		<b>ICM**</b>	Integrated Camera Module					
<b>3</b>	Type III						<b>BG</b>	Bird Guard					
<b>4</b>	Type IV						<b>WSW</b>	Wattstopper Wireless Control Node					
<b>5S</b>	Type V Square												



# SENSCAPE™

Luminaires for Parks, Campus and Commercial Areas

## SA18 SERIES

### PERFORMANCE

Optic Type	Optic Width	House-Side Shield	Lens Type	Luminaire Performance, by Lamp Power									
				30L		45L		70L		90L		115L	
				Lumens (lm)	BUG Rating	Lumens (lm)	BUG Rating	Lumens (lm)	BUG Rating	Lumens (lm)	BUG Rating	Lumens (lm)	BUG Rating
Type II	N	H	P	1,738	B1-U0-G1	2,658	B1-U0-G1	3,540	B1-U0-G1	4,223	B1-U0-G1	6,471	B2-U0-G1
		S		3,712	B1-U0-G1	5,678	B2-U0-G1	7,562	B2-U0-G2	9,021	B3-U0-G2	13,825	B3-U0-G2
	M	H		1,994	B0-U0-G0	3,051	B0-U0-G1	4,062	B1-U0-G1	4,847	B1-U0-G1	7,427	B1-U0-G1
		S		3,937	B1-U0-G1	6,022	B2-U0-G1	8,020	B2-U0-G2	9,568	B2-U0-G2	14,662	B3-U0-G2
	W	H		2,217	B0-U0-G0	3,391	B0-U0-G1	4,515	B0-U0-G1	5,387	B1-U0-G1	8,255	B1-U0-G2
		S		4,107	B1-U0-G1	6,283	B2-U0-G1	8,367	B2-U0-G2	9,982	B2-U0-G2	15,297	B3-U0-G2
Type III	N	H	P	1,662	B1-U0-G0	2,543	B1-U0-G1	3,386	B1-U0-G1	4,040	B1-U0-G1	6,191	B2-U0-G1
		S		3,757	B1-U0-G1	5,747	B2-U0-G1	7,654	B2-U0-G2	9,131	B3-U0-G2	13,993	B3-U0-G3
	M	H		1,906	B0-U0-G1	2,915	B0-U0-G1	3,882	B1-U0-G1	4,631	B1-U0-G1	7,097	B1-U0-G1
		S		4,004	B1-U0-G1	6,125	B2-U0-G1	8,157	B2-U0-G2	9,732	B2-U0-G2	14,914	B3-U0-G2
	W	H		2,102	B0-U0-G0	3,216	B0-U0-G1	4,283	B1-U0-G1	5,110	B1-U0-G1	7,830	B1-U0-G2
		S		4,114	B1-U0-G1	6,293	B2-U0-G1	8,380	B2-U0-G2	9,998	B2-U0-G2	15,321	B3-U0-G3
Type IV	N	H	P	1,834	B1-U0-G1	2,806	B1-U0-G1	3,737	B1-U0-G1	4,458	B1-U0-G1	6,832	B2-U0-G1
		S		3,862	B1-U0-G1	5,907	B2-U0-G1	7,867	B3-U0-G2	9,385	B3-U0-G2	14,383	B3-U0-G3
	M	H		2,066	B0-U0-G1	3,161	B1-U0-G1	4,209	B1-U0-G1	5,022	B1-U0-G1	7,696	B1-U0-G1
		S		4,064	B1-U0-G1	6,216	B2-U0-G1	8,278	B2-U0-G2	9,876	B3-U0-G2	15,135	B3-U0-G2
	W	H		2,307	B0-U0-G0	3,529	B0-U0-G1	4,700	B1-U0-G1	5,607	B1-U0-G1	8,592	B1-U0-G2
		S		4,162	B1-U0-G1	6,367	B2-U0-G1	8,479	B2-U0-G2	10,116	B2-U0-G2	15,502	B3-U0-G2
Type V Square	N	S	P	3,960	B2-U0-G1	6,058	B2-U0-G1	8,067	B2-U0-G1	9,624	B3-U0-G1	14,749	B3-U0-G1
	M			4,177	B2-U0-G1	6,390	B2-U0-G1	8,509	B3-U0-G1	10,151	B3-U0-G1	15,557	B3-U0-G2
	W			4,327	B2-U0-G1	6,619	B3-U0-G1	8,815	B3-U0-G1	10,516	B3-U0-G1	16,116	B4-U0-G2
Input Power (W)				35		54		78		100		141	
Input Current @ 277VAC (A)				0.137		0.201		0.294		0.377		0.521	
Calculated L70 (Hrs)				110,000		90,000		75,000		65,000		80,000	

NOTE: Product performance provided with 40K7 lamp color. See Lamp Color Scaling Table for lumen multiplier required when specified in alternate colors. Information subject to change without notice. Please see [www.kenall.com](http://www.kenall.com) for additional information and .IES files.

### LAMP COLOR SCALING FACTOR

Lamp Power	30K8	40K7	40K8	50K7
ALL	0.92	1.00	0.94	1.01

### EPA DATA

Mounting	Pole Mount	Post Top
EPA	0.577 ft²	0.769 ft²
Weight	20 lbs	20 lbs

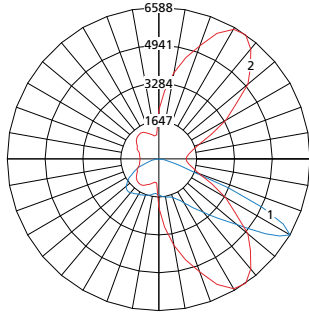


**SENSCAPE™**  
Luminaires for Parks, Campus and Commercial Areas  
**SA18 SERIES**

For additional photometry, go to [www.kenall.com](http://www.kenall.com)

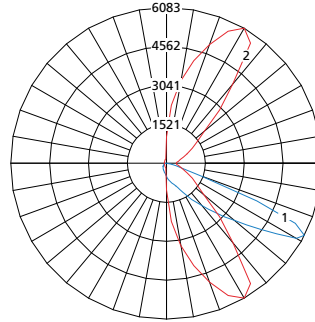
**PERFORMANCE**

Model: SA18-yy-zz-2-W-S-P-90L-40K7-DCC-DV



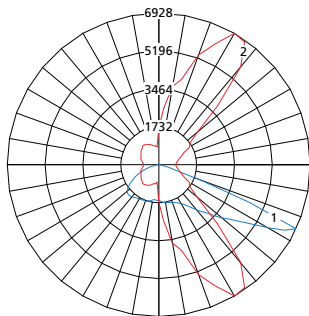
Max Candela = 6588 Located At Horizontal Angle = 55, Vertical Angle = 60  
 1 - Vertical Plane Through Horizontal Angles (55 - 235) (Through Max. Cd.)  
 2 - Horizontal Cone Through Vertical Angle (60) (Through Max. Cd.)

Model: SA18-yy-zz-2-W-H-P-90L-40K7-DCC-DV



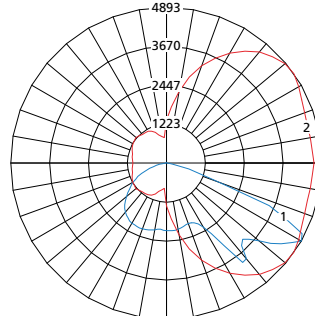
Max Candela = 6083 Located At Horizontal Angle = 60, Vertical Angle = 62.5  
 1 - Vertical Plane Through Horizontal Angles (60 - 240) (Through Max. Cd.)  
 2 - Horizontal Cone Through Vertical Angle (62.5) (Through Max. Cd.)

Model: SA18-yy-zz-3-W-S-P-90L-40K7-DCC-DV



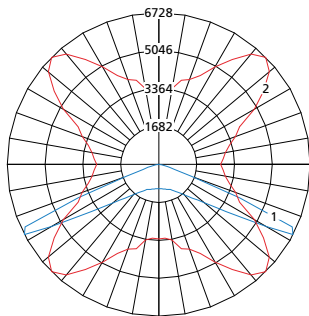
Max Candela = 6928 Located At Horizontal Angle = 60, Vertical Angle = 65  
 1 - Vertical Plane Through Horizontal Angles (60 - 240) (Through Max. Cd.)  
 2 - Horizontal Cone Through Vertical Angle (65) (Through Max. Cd.)

Model: SA18-yy-zz-4-W-S-P-90L-40K7-DCC-DV



Max Candela = 4893 Located At Horizontal Angle = 35, Vertical Angle = 60  
 1 - Vertical Plane Through Horizontal Angles (35 - 215) (Through Max. Cd.)  
 2 - Horizontal Cone Through Vertical Angle (60) (Through Max. Cd.)

Model: SA18-yy-zz-5S-W-S-P-90L-40K7-DCC-DV



Max Candela = 6728 Located At Horizontal Angle = 45, Vertical Angle = 62.5  
 1 - Vertical Plane Through Horizontal Angles (45 - 225) (Through Max. Cd.)  
 2 - Horizontal Cone Through Vertical Angle (62.5) (Through Max. Cd.)



[www.kenall.com](http://www.kenall.com)

P: 800-4-Kenall

F: 262-891-9701

10200 55th Street Kenosha, Wisconsin 53144

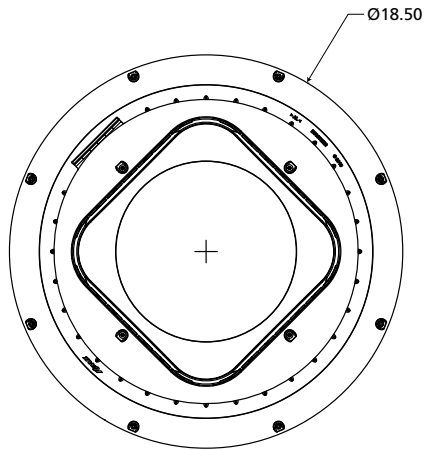
A brand of legrand

This product may be covered by patents found at [www.kenall.com/patents](http://www.kenall.com/patents). Content of specification sheets is subject to change; please consult [www.kenall.com](http://www.kenall.com) for current product details.  
 © 2022 Kenall Mfg. Co. All rights reserved.

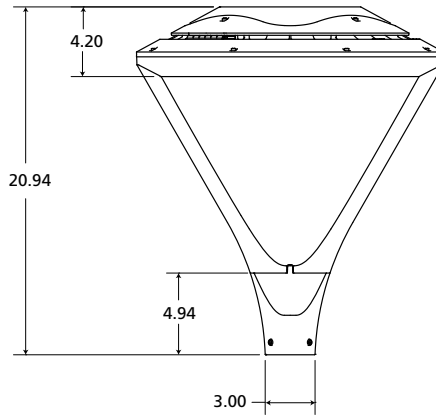


**SENSCAPE™**  
 Luminaires for Parks, Campus and Commercial Areas  
**SA18 SERIES**

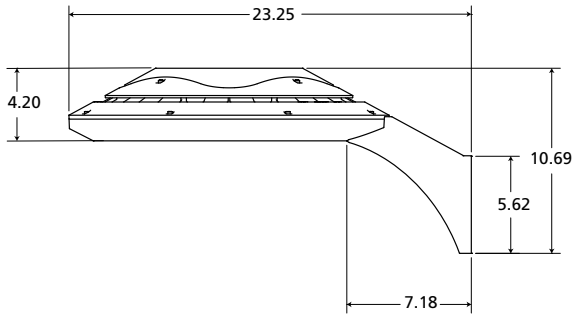
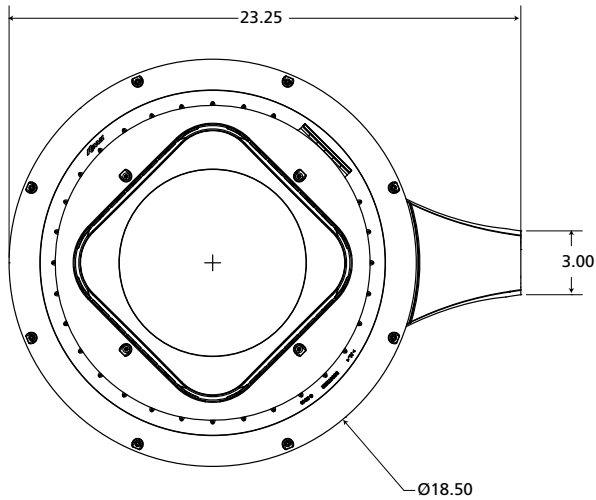
**DIMENSIONAL DATA**



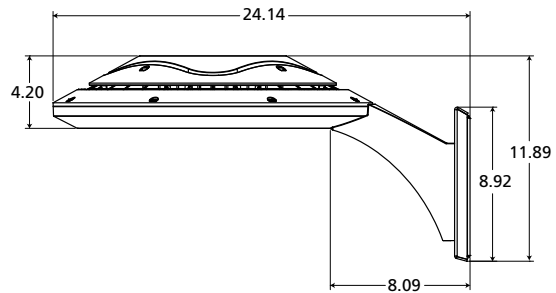
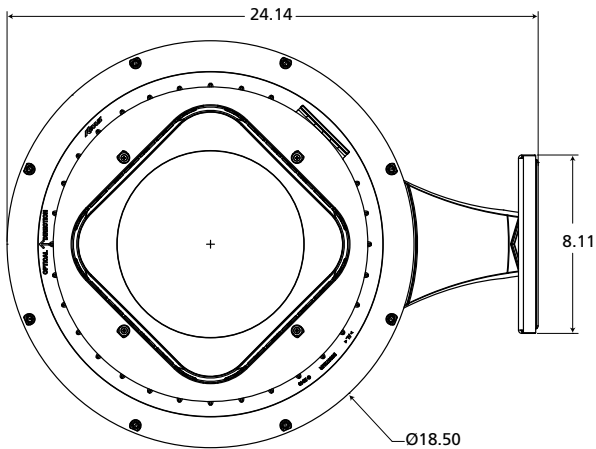
**Post Top Mount**



**Pole Mount**



**Wall Mount**



www.kenall.com

P: 800-4-Kenall

F: 262-891-9701

10200 55th Street Kenosha, Wisconsin 53144

A brand of **legrand**

This product may be covered by patents found at [www.kenall.com/patents](http://www.kenall.com/patents). Content of specification sheets is subject to change; please consult [www.kenall.com](http://www.kenall.com) for current product details.  
 © 2022 Kenall Mfg. Co. All rights reserved.

# SENSCAPE™

## Luminaires for Parks, Campus and Commercial Areas

### SA26 SERIES

#### PROJECT INFORMATION

Job Name \_\_\_\_\_

Fixture Type \_\_\_\_\_

Catalog Number \_\_\_\_\_

Approved by \_\_\_\_\_

#### PRODUCT FEATURES:

- » Architectural, modern design aesthetic scaled for mounting heights of 15-30 feet
- » Multiple mounting configuration and optical distribution options to suit all common area lighting scenarios
- » TekLink advanced wireless networked control and innovative Integrated Camera Module options
- » Lumen outputs up to 43,000lm with color temperatures ranging from 3000K to 5000K



POST TOP MOUNT



POLE MOUNT



WALL MOUNT

#### SPECIFICATIONS

**HOUSING:** Marine-grade die-cast aluminum construction. Integral aluminum heat sink with concealed air inlet and convection fins. All power electronics removed from primary thermal path; all drivers with dedicated heatsink to exterior of luminaire. TGIC polyester powder coat finish with five-step pre-treatment; salt-spray test 1,000 hours. See Ordering Information for available finishes. Closed-cell silicone gasketing at all housing interfaces.

**MOUNTING:** Post Top: Fitter assembly mounts over a 2-3/8" tenon on 3, 4 and 5 inch round and square poles and secured via six recessed, corrosion resistant set screws. Fitter design provides gentle transition to 3" O.D. round pole. Pole Mount: Internal bracket and hardware provided for drilled round and square 3 inch and larger poles. Wall Mount: Quick and simple mounting bracket allows four point mounting to rigid walls.

**OPTICS:** Type II, III, IV and V Square optical distributions. Each type available with Narrow, Medium and Wide options for glare mitigation (Wide has the lowest level of glare mitigation, Narrow the highest). Internal house-side shield available (does not impact EPA). Injection-molded acrylic or polycarbonate tertiary outer lens.

**ELECTRICAL:** Replaceable high-brightness LED array. See Ordering Information for color temperature options. 120-277VAC or 347V-480VAC, 50/60Hz input with replaceable high power factor electronic constant-current driver (<10% THD, >0.95 PF). Standard 0-10V dimming with 10-100% range. Minimum 85% driver efficiency. EMC performance compliant with FCC CFR Part 15. Serviceable surge protection device rated to 6kV per ANSI C62.41-2002 category C low.

**TEKLINK TL2000:** An adaptive lighting control system that utilizes a wireless communication scheme between system nodes. In addition to occupancy detection via camera and daylight harvesting, the TL2000 system features advanced scheduling and energy management capabilities with cloud-based control of system settings, reporting, and notifications.

**INTEGRATED CAMERA MODULE:** Flexible integration with 3rd party video or security platforms via WiFi or Ethernet. Camera supports 1080p at 30 frames per second. The ICM option is a stand-alone camera independent of the TekLink system.

**PHOTOMETRICS:** Photometry tested to the IESNA LM-79-08 standard by an ILAC/ISO17025 accredited laboratory. For photometric data, please go to [www.kenall.com](http://www.kenall.com).

**WARRANTY:** Limited five (5) year warranty.

**LISTINGS:** Luminaire is certified to UL Standards by Intertek Testing Laboratory for Wet Location. IP65 rating per IEC 60598. Luminaire is 3G tested for vibration per ANSI C136.31. Suitable for installation into -40°C to 40°C ambient environments.



#### ORDERING INFORMATION (Ex: SA26-PM-MB-4-M-H-P-166L-40K8-DCC-DV)

Model	Mounting	Finish	Distribution	Diffusion	House-Side	Lens Type	Lamp Power	Lamp Color	Driver	Voltage	Options	TekLink	Controls Kit
<b>SA26</b>												<b>DCC</b>	< > < >
<b>Mounting</b>				<b>Diffusion</b>				<b>Lamp Color</b>				<b>TekLink</b>	
<b>PT</b>	Post Top Mount			<b>N</b>	Narrow (Full Diffusion)			<b>30K8</b>	3000K/80CRI min			<b>TL2000*</b>	Wireless Network Control - Advanced (Click here for specifications)
<b>PM</b>	Pole Mount			<b>M</b>	Medium (Softened Diffusion)			<b>40K7</b>	4000K/70CRI min				Please consult Kenall Applications if your application requirements are not listed here.
<b>WM</b>	Wall Mount			<b>W</b>	Wide (Clear)			<b>40K8</b>	4000K/80CRI min				
								<b>50K7</b>	5000K/70CRI min				
<b>Finish</b>				<b>House-Side Shield</b>				<b>Driver Type</b>				<b>Controls Kit</b>	
<b>MW</b>	Matte White (PCTT80126)			<b>H*</b>	House-Side Shield			<b>DCC</b>	0-10V Dimming Constant Current			< >	Factory Assigned Internal Code
<b>LG</b>	Light Gray (PCTT70124)			<b>S</b>	No House-Side Shield			<b>Input Voltage</b>					
<b>BR</b>	Bronze (PCTT25109)							<b>DV</b>	120-277VAC, 50/60Hz				
<b>DB</b>	Dark Bronze (PCTT20123)			<b>Lens Type</b>				<b>CV</b>	347-480VAC, 50/60Hz				
<b>MB</b>	Matte Black (PCTT90115)			<b>P</b>	Polycarbonate								
<b>IV</b>	Ivory (PPL92485)			<b>A</b>	Acrylic			<b>Options</b>					
<b>FG</b>	Forest Green (PLGT3)			<b>Lamp Power</b>				<b>RL†</b>	Rotate optics 90 degrees Left				
<b>SL</b>	Silver (PCTT75112)			<b>108L</b>	108W LED			<b>RR†</b>	Rotate optics 90 degrees Right				
<b>CC</b>	Custom Color (consult factory)			<b>132L</b>	132W LED			<b>FS</b>	Single Fuse & Holder				
				<b>166L</b>	166W LED			<b>N7P*</b>	NEMA 7 Pin Receptacle (Photocell by others)				
<b>Distribution Type</b>				<b>214L</b>	214W LED			<b>ICM**</b>	Integrated Camera Module				
<b>2</b>	Type II			<b>288L</b>	288W LED			<b>BG</b>	Bird Guard				
<b>3</b>	Type III							<b>WSW</b>	Wattstopper Wireless Control Node				
<b>4</b>	Type IV												
<b>5S</b>	Type V Square												



# SENSCAPE™

Luminaires for Parks, Campus and Commercial Areas

## SA26 SERIES

### PERFORMANCE

Optic Type	Optic Width	House-Side Shield	Lens Type	Luminaire Performance, by Lamp Power									
				108L		132L		166L		214L		288L	
				Lumens (lm)	BUG Rating	Lumens (lm)	BUG Rating	Lumens (lm)	BUG Rating	Lumens (lm)	BUG Rating	Lumens (lm)	BUG Rating
Type II	N	H	P	6,003	B1-U0-G1	7,354	B1-U0-G1	10,034	B1-U0-G1	12,555	B2-U0-G1	16,022	B2-U0-G2
		S		14,566	B3-U0-G2	17,845	B3-U0-G3	24,347	B4-U0-G3	30,463	B4-U0-G3	38,876	B5-U0-G3
	M	H		6,355	B1-U0-G1	7,785	B1-U0-G1	10,622	B1-U0-G2	13,291	B1-U0-G2	16,961	B2-U0-G2
		S		14,810	B3-U0-G2	18,144	B3-U0-G3	24,756	B4-U0-G3	30,974	B4-U0-G3	39,529	B5-U0-G4
	W	H		7,462	B1-U0-G2	9,141	B1-U0-G2	12,472	B1-U0-G2	15,605	B1-U0-G2	19,915	B2-U0-G3
		S		15,698	B3-U0-G3	19,231	B3-U0-G3	26,239	B4-U0-G3	32,830	B4-U0-G3	41,897	B4-U0-G4
Type III	N	H	P	5,775	B1-U0-G1	7,075	B1-U0-G1	9,653	B1-U0-G1	12,078	B2-U0-G1	15,414	B2-U0-G2
		S		14,432	B3-U0-G2	17,681	B3-U0-G3	24,124	B4-U0-G3	30,184	B4-U0-G3	38,519	B5-U0-G3
	M	H		6,117	B1-U0-G1	7,495	B1-U0-G1	10,225	B1-U0-G2	12,794	B1-U0-G2	16,327	B2-U0-G2
		S		14,639	B3-U0-G2	17,934	B3-U0-G3	24,469	B4-U0-G3	30,616	B4-U0-G3	39,071	B5-U0-G4
	W	H		7,176	B1-U0-G2	8,792	B1-U0-G2	11,995	B1-U0-G2	15,009	B1-U0-G2	19,153	B2-U0-G3
		S		15,506	B3-U0-G3	18,997	B3-U0-G3	25,919	B4-U0-G3	32,430	B4-U0-G3	41,386	B4-U0-G4
Type IV	N	H	P	6,388	B1-U0-G1	7,826	B1-U0-G1	10,678	B2-U0-G1	13,360	B2-U0-G2	17,050	B2-U0-G2
		S		14,730	B3-U0-G2	18,046	B3-U0-G3	24,621	B4-U0-G3	30,806	B4-U0-G3	39,314	B5-U0-G3
	M	H		6,684	B1-U0-G1	8,188	B1-U0-G2	11,172	B1-U0-G2	13,978	B2-U0-G2	17,839	B2-U0-G2
		S		14,934	B3-U0-G2	18,297	B3-U0-G3	24,963	B4-U0-G3	31,234	B4-U0-G3	39,860	B5-U0-G3
	W	H		7,811	B1-U0-G2	9,570	B1-U0-G2	13,057	B1-U0-G2	16,336	B1-U0-G3	20,848	B2-U0-G3
		S		15,748	B3-U0-G3	19,294	B3-U0-G3	26,324	B4-U0-G3	32,936	B4-U0-G4	42,032	B4-U0-G4
Type V Square	N	S	P	15,113	B3-U0-G1	18,515	B4-U0-G1	25,262	B4-U0-G2	31,608	B5-U0-G2	40,337	B5-U0-G2
	M			15,229	B3-U0-G2	18,658	B4-U0-G2	25,456	B4-U0-G2	31,851	B5-U0-G2	40,647	B5-U0-G3
	W			16,241	B4-U0-G2	19,897	B4-U0-G2	27,147	B5-U0-G3	33,967	B5-U0-G3	43,347	B5-U0-G4
Input Power (W)				115		146		178		229		306	
Input Current @ 277VAC (A)				0.430		0.546		0.660		0.905		1.160	
Calculated L70 (Hrs)				110,000		95,000		85,000		65,000		65,000	

NOTE: Product performance provided with 40K8 lamp color (108L & 132L) and 40K7 lamp color (all others). See Lamp Color Scaling Table for lumen multiplier required when specified in alternate colors. Information subject to change without notice. Please see [www.kenall.com](http://www.kenall.com) for additional information and .IES files.

### LAMP COLOR SCALING FACTOR

Lamp Power	30K8	40K7	40K8	50K7
108L / 132L	0.97	1.06	1.00	1.07
166L / 214L / 288L	0.81	1.00	0.88	1.00

### EPA DATA

Mounting	Pole Mount	Post Top
EPA	0.842 ft²	1.415 ft²
Weight	38 lbs	45 lbs

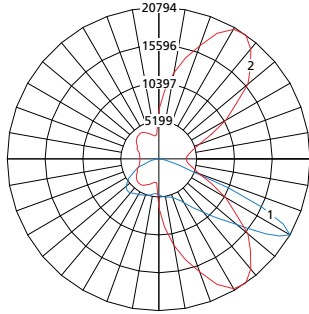


**SENSCAPE™**  
Luminaires for Parks, Campus and Commercial Areas  
**SA26 SERIES**

For additional photometry, go to [www.kenall.com](http://www.kenall.com)

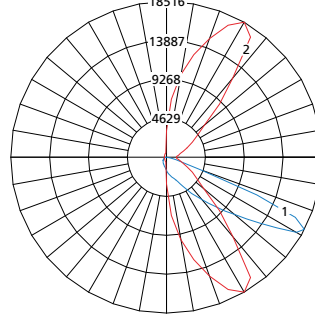
**PERFORMANCE**

Model: SA26-yy-zz-2-W-S-P-214L-40K7-DCC-DV



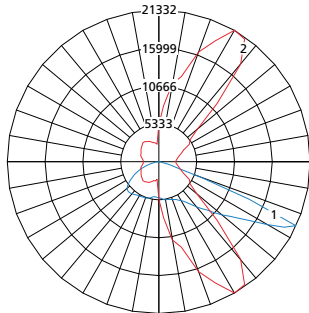
Max Candela = 20794 Located At Horizontal Angle = 60, Vertical Angle = 62.5  
 1 - Vertical Plane Through Horizontal Angles (60 - 240) (Through Max. Cd.)  
 2 - Horizontal Cone Through Vertical Angle (62.5) (Through Max. Cd.)

Model: SA26-yy-zz-2-W-H-P-214L-40K7-DCC-DV



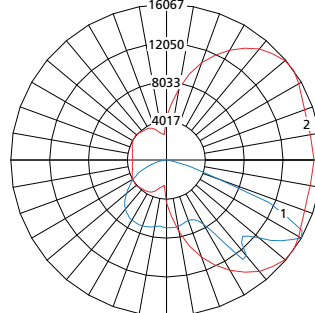
Max Candela = 18516 Located At Horizontal Angle = 60, Vertical Angle = 62.5  
 1 - Vertical Plane Through Horizontal Angles (60 - 240) (Through Max. Cd.)  
 2 - Horizontal Cone Through Vertical Angle (62.5) (Through Max. Cd.)

Model: SA26-yy-zz-3-W-S-P-214L-40K7-DCC-DV



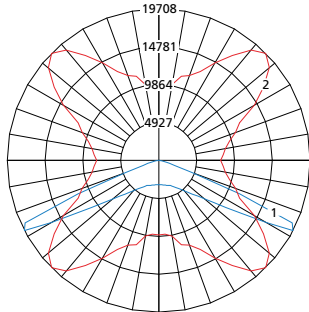
Max Candela = 21332 Located At Horizontal Angle = 60, Vertical Angle = 67.5  
 1 - Vertical Plane Through Horizontal Angles (60 - 240) (Through Max. Cd.)  
 2 - Horizontal Cone Through Vertical Angle (67.5) (Through Max. Cd.)

Model: SA26-yy-zz-4-W-S-P-214L-40K7-DCC-DV



Max Candela = 16067 Located At Horizontal Angle = 35, Vertical Angle = 65  
 1 - Vertical Plane Through Horizontal Angles (35 - 215) (Through Max. Cd.)  
 2 - Horizontal Cone Through Vertical Angle (65) (Through Max. Cd.)

Model: SA26-yy-zz-5S-W-S-P-214L-40K7-DCC-DV



Max Candela = 19708 Located At Horizontal Angle = 45, Vertical Angle = 65  
 1 - Vertical Plane Through Horizontal Angles (45 - 225) (Through Max. Cd.)  
 2 - Horizontal Cone Through Vertical Angle (65) (Through Max. Cd.)



[www.kenall.com](http://www.kenall.com)

P: 800-4-Kenall

F: 262-891-9701

10200 55th Street Kenosha, Wisconsin 53144

A brand of **legrand**

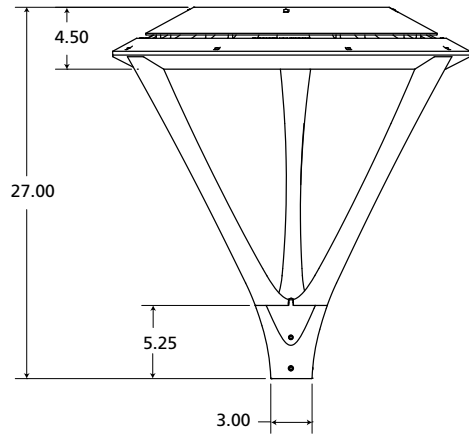
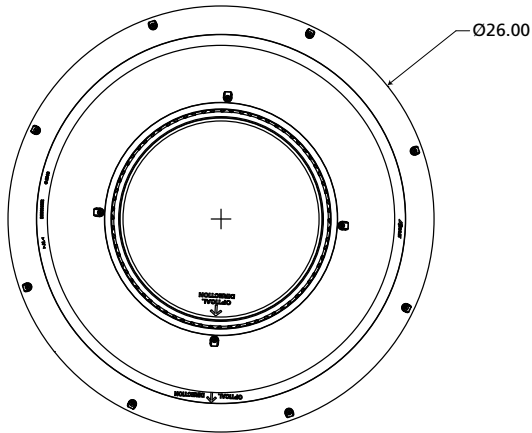
This product may be covered by patents found at [www.kenall.com/patents](http://www.kenall.com/patents). Content of specification sheets is subject to change; please consult [www.kenall.com](http://www.kenall.com) for current product details.  
 © 2022 Kenall Mfg. Co. All rights reserved.



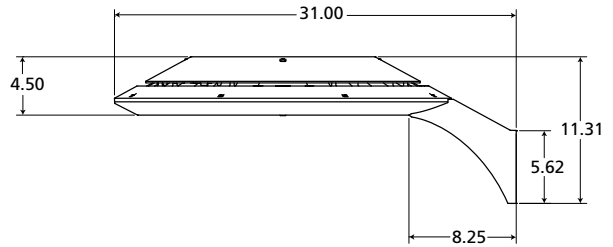
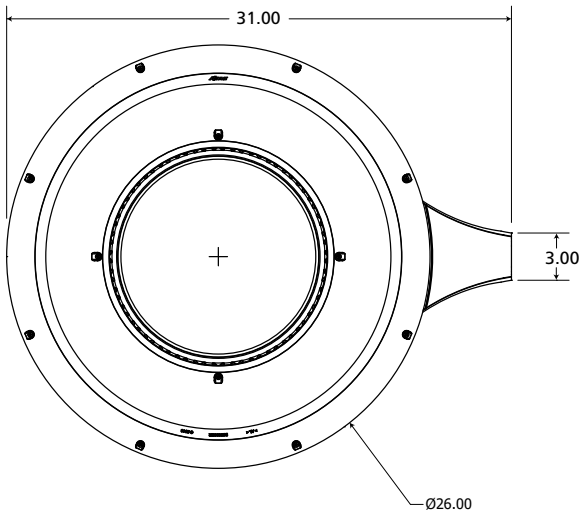
**SENSCAPE™**  
 Luminaires for Parks, Campus and Commercial Areas  
**SA26 SERIES**

**DIMENSIONAL DATA**

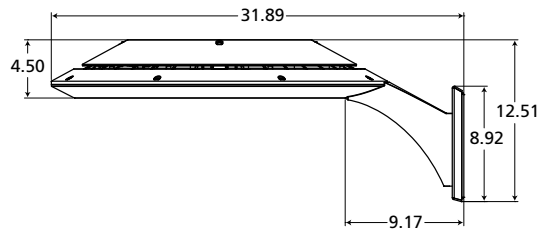
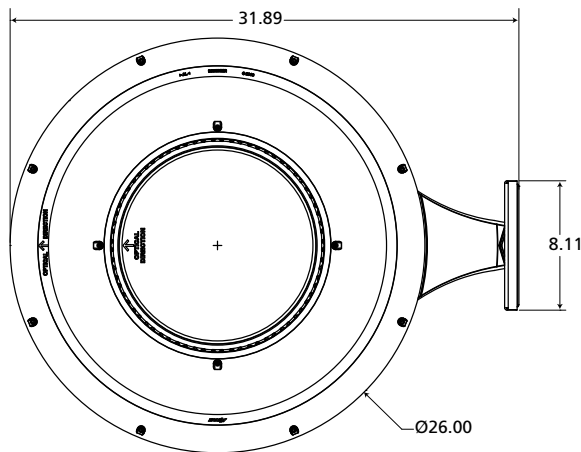
**Post Top Mount**



**Pole Mount**



**Wall Mount**



www.kenall.com P: 800-4-Kenall F: 262-891-9701 10200 55th Street Kenosha, Wisconsin 53144

A brand of **legrand**

This product may be covered by patents found at www.kenall.com/patents. Content of specification sheets is subject to change; please consult www.kenall.com for current product details.  
 © 2022 Kenall Mfg. Co. All rights reserved.

# SENSCAPE™

## Luminaires for Parks, Campus and Commercial Areas

### SA18 SERIES

#### PROJECT INFORMATION

Job Name \_\_\_\_\_

Fixture Type \_\_\_\_\_

Catalog Number \_\_\_\_\_

Approved by \_\_\_\_\_

#### PRODUCT FEATURES:

- » Architectural, modern design aesthetic scaled for mounting heights of 9-20 feet
- » Multiple mounting configuration and optical distribution options to suit all common area lighting scenarios
- » TekLink advanced wireless networked control and innovative Integrated Camera Module options
- » Lumen outputs up to 16,000lm with color temperatures ranging from 3000K to 5000K



POST TOP MOUNT



POLE MOUNT



WALL MOUNT

#### SPECIFICATIONS

**HOUSING:** Marine-grade die-cast aluminum construction. Integral aluminum heat sink with concealed air inlet and convection fins. All power electronics removed from primary thermal path; all drivers with dedicated heatsink to exterior of luminaire. TGIC polyester powder coat finish with five-step pre-treatment; salt-spray test 1,000 hours. See Ordering Information for available finishes. Closed-cell silicone gasketing at all housing interfaces.

**MOUNTING:** Post Top: Fitter assembly mounts over a 2-3/8" tenon on 3, 4 and 5 inch round and square poles and secured via four (4), corrosion resistant set screws. Fitter design provides gentle transition to 3" O.D. round pole. Pole Mount: Internal bracket and hardware provided for drilled round and square 3 inch and larger poles. Wall Mount: Quick and simple mounting bracket allows four point mounting to rigid walls.

**OPTICS:** Type II, III, IV and V Square optical distributions. Each type available with Narrow, Medium and Wide options for glare mitigation (Wide has the lowest level of glare mitigation, Narrow the highest). Internal house-side shield available (does not impact EPA). Injection-molded acrylic or polycarbonate tertiary outer lens.

**ELECTRICAL:** Replaceable high-brightness LED array. See Ordering Information for color temperature options. 120-277VAC or 277-480VAC, 50/60Hz input with replaceable high power factor electronic constant-current driver (<10% THD, >0.95 PF). Standard 0-10V dimming with 10-100% range; dim-to-dark capabilities on 90L/115L; 0.9mA max source current. Minimum 85% driver efficiency. EMC performance compliant with FCC CFR Part 15. Serviceable surge protection device rated to 6kV per ANSI C62.41-2002 category C low.

**TEKLINK TL2000:** An adaptive lighting control system that utilizes a wireless communication scheme between system nodes. In addition to occupancy detection via camera and daylight harvesting, the TL2000 system features advanced scheduling and energy management capabilities with cloud-based control of system settings, reporting, and notifications.

**INTEGRATED CAMERA MODULE:** Flexible integration with 3rd party video or security platforms via WiFi or Ethernet. Camera supports 1080p at 30 frames per second. The ICM option is a stand-alone camera independent of the TekLink system.

**PHOTOMETRICS:** Photometry tested to the IESNA LM-79-08 standard by an ILAC/ISO17025 accredited laboratory. For photometric data, please go to [www.kenall.com](http://www.kenall.com).

**WARRANTY:** Limited five (5) year warranty.

**LISTINGS:** Luminaire is certified to UL Standards by Intertek Testing Laboratory for Wet Location. IP65 rating per IEC 60598. Luminaire is 3G tested for vibration per ANSI C136.31. Suitable for installation into -40°C to 40°C ambient environments.



#### ORDERING INFORMATION (Ex: SA18-PM-MB-4-M-H-P-115L-40K8-DCC-CV)

Model	Mounting	Finish	Distribution	Diffusion	House-Side	Lens Type	Lamp Power	Lamp Color	Driver	Voltage	Options	TekLink	Controls Kit
<b>SA18</b>											<b>DCC</b>	<	>
<b>Mounting</b>				<b>Diffusion</b>			<b>Lamp Color</b>					<b>TekLink</b>	
<b>PT</b>	Post Top Mount			<b>N</b>	Narrow (Full Diffusion)		<b>30K8</b>	3000K/80CRI min				<b>TL2000*</b>	Wireless Network Control - Advanced
<b>PM</b>	Pole Mount			<b>M</b>	Medium (Softened Diffusion)		<b>40K7</b>	4000K/70CRI min					<a href="#">(Click here for specifications)</a>
<b>WM</b>	Wall Mount			<b>W</b>	Wide (Clear)		<b>40K8</b>	4000K/80CRI min					
							<b>50K7</b>	5000K/70CRI min					Please consult Kenall Applications if your application requirements are not listed here.
<b>Finish</b>				<b>House-Side Shield</b>			<b>Driver Type</b>					<b>Controls Kit</b>	
<b>MW</b>	Matte White (PCTT80126)			<b>H*</b>	House-Side Shield		<b>DCC</b>	0-10V Dimming Constant Current				<	>
<b>LG</b>	Light Gray (PCTT70124)			<b>S</b>	No House-Side Shield								Factory Assigned Internal Code
<b>BR</b>	Bronze (PCTT25109)						<b>Input Voltage</b>						
<b>DB</b>	Dark Bronze (PCTT20123)			<b>Lens Type</b>			<b>DV‡</b>	120-277VAC, 50/60Hz					
<b>MB</b>	Matte Black (PCTT90115)			<b>P</b>	Polycarbonate		<b>CV</b>	277-480VAC, 50/60Hz					
<b>IV</b>	Ivory (PPL92485)			<b>A</b>	Acrylic								
<b>FG</b>	Forest Green (PLGT3)			<b>Lamp Power</b>			<b>Options</b>						
<b>SL</b>	Silver (PCTT75112)			<b>30L</b>	30W LED		<b>RL†</b>	Rotate optics 90 degrees left					
<b>CC</b>	Custom Color (consult factory)			<b>45L</b>	45W LED		<b>RR†</b>	Rotate optics 90 degrees Right					
				<b>70L</b>	70W LED		<b>FS</b>	Single Fuse & Holder					
<b>Distribution Type</b>				<b>90L</b>	90W LED		<b>N7P*</b>	NEMA 7 Pin Receptacle (Photocell by others)					
<b>2</b>	Type II			<b>115L</b>	115W LED		<b>ICM**</b>	Integrated Camera Module					
<b>3</b>	Type III						<b>BG</b>	Bird Guard					
<b>4</b>	Type IV						<b>WSW</b>	Wattstopper Wireless Control Node					
<b>5S</b>	Type V Square												



**SENSCAPE™**  
Luminaires for Parks, Campus and Commercial Areas

**SA18 SERIES**

**PERFORMANCE**

Optic Type	Optic Width	House-Side Shield	Lens Type	Luminaire Performance, by Lamp Power									
				30L		45L		70L		90L		115L	
				Lumens (lm)	BUG Rating	Lumens (lm)	BUG Rating	Lumens (lm)	BUG Rating	Lumens (lm)	BUG Rating	Lumens (lm)	BUG Rating
Type II	N	H	P	1,738	B1-U0-G1	2,658	B1-U0-G1	3,540	B1-U0-G1	4,223	B1-U0-G1	6,471	B2-U0-G1
		S		3,712	B1-U0-G1	5,678	B2-U0-G1	7,562	B2-U0-G2	9,021	B3-U0-G2	13,825	B3-U0-G2
	M	H		1,994	B0-U0-G0	3,051	B0-U0-G1	4,062	B1-U0-G1	4,847	B1-U0-G1	7,427	B1-U0-G1
		S		3,937	B1-U0-G1	6,022	B2-U0-G1	8,020	B2-U0-G2	9,568	B2-U0-G2	14,662	B3-U0-G2
	W	H		2,217	B0-U0-G0	3,391	B0-U0-G1	4,515	B0-U0-G1	5,387	B1-U0-G1	8,255	B1-U0-G2
		S		4,107	B1-U0-G1	6,283	B2-U0-G1	8,367	B2-U0-G2	9,982	B2-U0-G2	15,297	B3-U0-G2
Type III	N	H	P	1,662	B1-U0-G0	2,543	B1-U0-G1	3,386	B1-U0-G1	4,040	B1-U0-G1	6,191	B2-U0-G1
		S		3,757	B1-U0-G1	5,747	B2-U0-G1	7,654	B2-U0-G2	9,131	B3-U0-G2	13,993	B3-U0-G3
	M	H		1,906	B0-U0-G1	2,915	B0-U0-G1	3,882	B1-U0-G1	4,631	B1-U0-G1	7,097	B1-U0-G1
		S		4,004	B1-U0-G1	6,125	B2-U0-G1	8,157	B2-U0-G2	9,732	B2-U0-G2	14,914	B3-U0-G2
	W	H		2,102	B0-U0-G0	3,216	B0-U0-G1	4,283	B1-U0-G1	5,110	B1-U0-G1	7,830	B1-U0-G2
		S		4,114	B1-U0-G1	6,293	B2-U0-G1	8,380	B2-U0-G2	9,998	B2-U0-G2	15,321	B3-U0-G3
Type IV	N	H	P	1,834	B1-U0-G1	2,806	B1-U0-G1	3,737	B1-U0-G1	4,458	B1-U0-G1	6,832	B2-U0-G1
		S		3,862	B1-U0-G1	5,907	B2-U0-G1	7,867	B3-U0-G2	9,385	B3-U0-G2	14,383	B3-U0-G3
	M	H		2,066	B0-U0-G1	3,161	B1-U0-G1	4,209	B1-U0-G1	5,022	B1-U0-G1	7,696	B1-U0-G1
		S		4,064	B1-U0-G1	6,216	B2-U0-G1	8,278	B2-U0-G2	9,876	B3-U0-G2	15,135	B3-U0-G2
	W	H		2,307	B0-U0-G0	3,529	B0-U0-G1	4,700	B1-U0-G1	5,607	B1-U0-G1	8,592	B1-U0-G2
		S		4,162	B1-U0-G1	6,367	B2-U0-G1	8,479	B2-U0-G2	10,116	B2-U0-G2	15,502	B3-U0-G2
Type V Square	N	S	P	3,960	B2-U0-G1	6,058	B2-U0-G1	8,067	B2-U0-G1	9,624	B3-U0-G1	14,749	B3-U0-G1
	M			4,177	B2-U0-G1	6,390	B2-U0-G1	8,509	B3-U0-G1	10,151	B3-U0-G1	15,557	B3-U0-G2
	W			4,327	B2-U0-G1	6,619	B3-U0-G1	8,815	B3-U0-G1	10,516	B3-U0-G1	16,116	B4-U0-G2
Input Power (W)				35		54		78		100		141	
Input Current @ 277VAC (A)				0.137		0.201		0.294		0.377		0.521	
Calculated L70 (Hrs)				110,000		90,000		75,000		65,000		80,000	

NOTE: Product performance provided with 40K7 lamp color. See Lamp Color Scaling Table for lumen multiplier required when specified in alternate colors. Information subject to change without notice. Please see [www.kenall.com](http://www.kenall.com) for additional information and .IES files.

**LAMP COLOR SCALING FACTOR**

Lamp Power	30K8	40K7	40K8	50K7
ALL	0.92	1.00	0.94	1.01

**EPA DATA**

Mounting	Pole Mount	Post Top
EPA	0.577 ft²	0.769 ft²
Weight	20 lbs	20 lbs

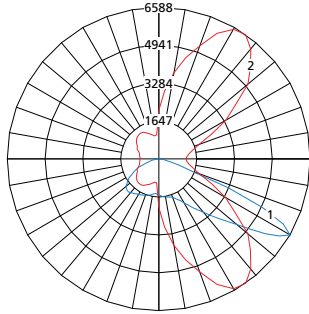


**SENSCAPE™**  
Luminaires for Parks, Campus and Commercial Areas  
**SA18 SERIES**

For additional photometry, go to [www.kenall.com](http://www.kenall.com)

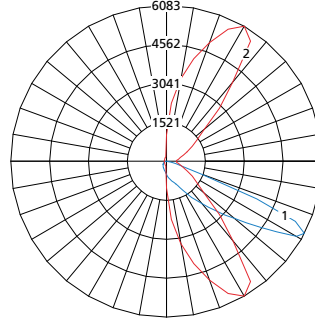
**PERFORMANCE**

Model: SA18-yy-zz-2-W-S-P-90L-40K7-DCC-DV



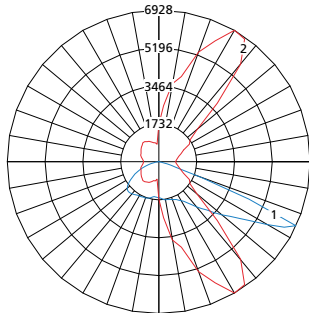
Max Candela = 6588 Located At Horizontal Angle = 55, Vertical Angle = 60  
 1 - Vertical Plane Through Horizontal Angles (55 - 235) (Through Max. Cd.)  
 2 - Horizontal Cone Through Vertical Angle (60) (Through Max. Cd.)

Model: SA18-yy-zz-2-W-H-P-90L-40K7-DCC-DV



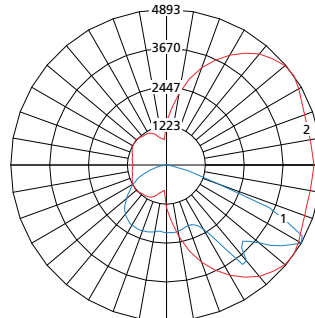
Max Candela = 6083 Located At Horizontal Angle = 60, Vertical Angle = 62.5  
 1 - Vertical Plane Through Horizontal Angles (60 - 240) (Through Max. Cd.)  
 2 - Horizontal Cone Through Vertical Angle (62.5) (Through Max. Cd.)

Model: SA18-yy-zz-3-W-S-P-90L-40K7-DCC-DV



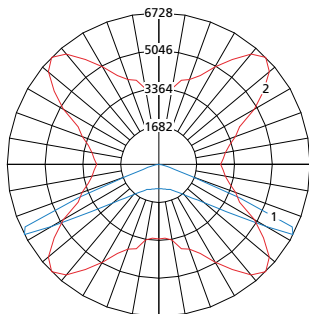
Max Candela = 6928 Located At Horizontal Angle = 60, Vertical Angle = 65  
 1 - Vertical Plane Through Horizontal Angles (60 - 240) (Through Max. Cd.)  
 2 - Horizontal Cone Through Vertical Angle (65) (Through Max. Cd.)

Model: SA18-yy-zz-4-W-S-P-90L-40K7-DCC-DV



Max Candela = 4893 Located At Horizontal Angle = 35, Vertical Angle = 60  
 1 - Vertical Plane Through Horizontal Angles (35 - 215) (Through Max. Cd.)  
 2 - Horizontal Cone Through Vertical Angle (60) (Through Max. Cd.)

Model: SA18-yy-zz-5S-W-S-P-90L-40K7-DCC-DV



Max Candela = 6728 Located At Horizontal Angle = 45, Vertical Angle = 62.5  
 1 - Vertical Plane Through Horizontal Angles (45 - 225) (Through Max. Cd.)  
 2 - Horizontal Cone Through Vertical Angle (62.5) (Through Max. Cd.)



[www.kenall.com](http://www.kenall.com)

P: 800-4-Kenall

F: 262-891-9701

10200 55th Street Kenosha, Wisconsin 53144

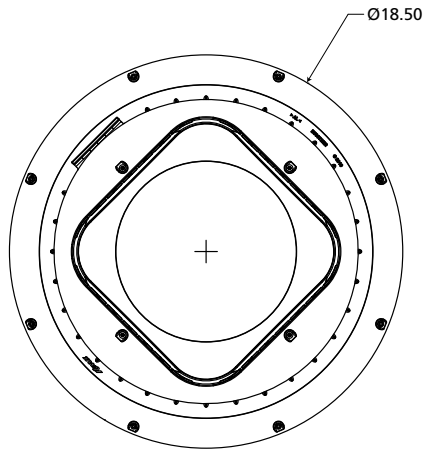
A brand of **legrand**

This product may be covered by patents found at [www.kenall.com/patents](http://www.kenall.com/patents). Content of specification sheets is subject to change; please consult [www.kenall.com](http://www.kenall.com) for current product details.  
 © 2022 Kenall Mfg. Co. All rights reserved.

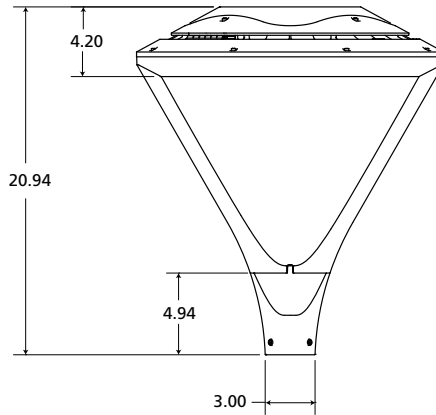


**SENSCAPE™**  
 Luminaires for Parks, Campus and Commercial Areas  
**SA18 SERIES**

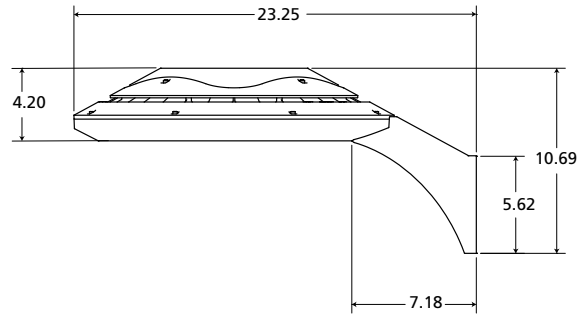
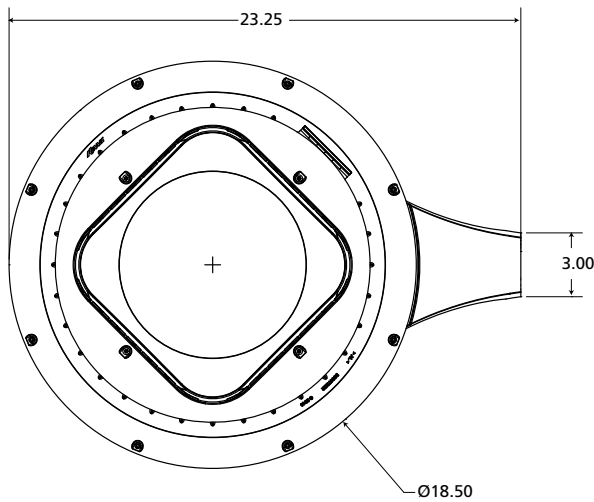
**DIMENSIONAL DATA**



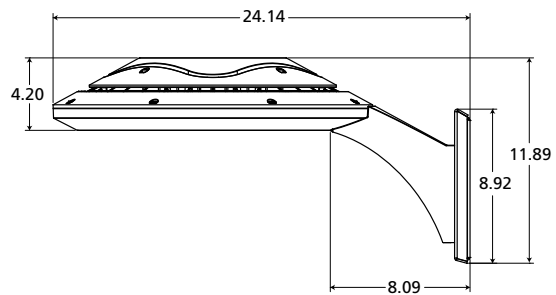
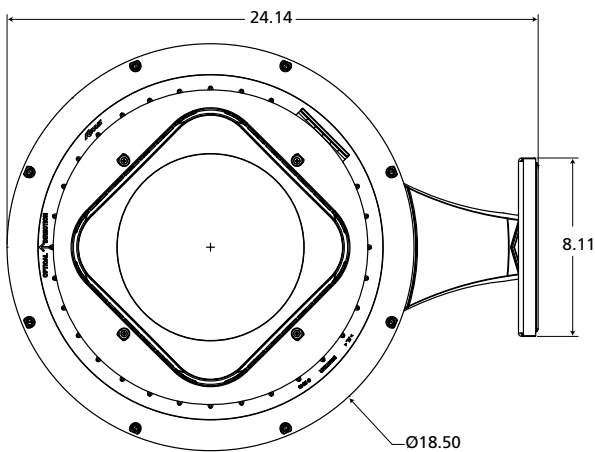
**Post Top Mount**



**Pole Mount**



**Wall Mount**



www.kenall.com

P: 800-4-Kenall

F: 262-891-9701

10200 55th Street Kenosha, Wisconsin 53144

A brand of **legrand**

This product may be covered by patents found at [www.kenall.com/patents](http://www.kenall.com/patents). Content of specification sheets is subject to change; please consult [www.kenall.com](http://www.kenall.com) for current product details.  
 © 2022 Kenall Mfg. Co. All rights reserved.



# D-Series Size 1 LED Wall Luminaire



Buy American

Catalog  
Number

Notes

Type

Hit the Tab key or mouse over the page to see all interactive elements.

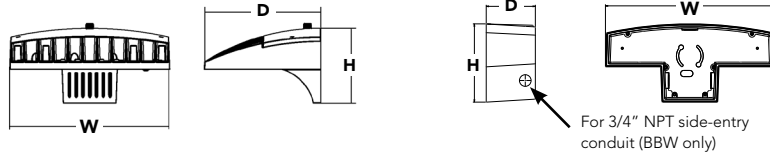
d#series

## Specifications Luminaire

<b>Width:</b>	13-3/4" (34.9 cm)	<b>Weight:</b>	12 lbs (5.4 kg)
<b>Depth:</b>	10" (25.4 cm)		
<b>Height:</b>	6-3/8" (16.2 cm)		

## Back Box (BBW, E20WC)

<b>Width:</b>	13-3/4" (34.9 cm)	<b>BBW Weight:</b>	5 lbs (2.3 kg)
<b>Depth:</b>	4" (10.2 cm)	<b>E20WC Weight:</b>	10 lbs (4.5 kg)
<b>Height:</b>	6-3/8" (16.2 cm)		



## Introduction

The D-Series Wall luminaire is a stylish, fully integrated LED solution for building-mount applications. It features a sleek, modern design and is carefully engineered to provide long-lasting, energy-efficient lighting with a variety of optical and control options for customized performance.

With an expected service life of over 20 years of nighttime use and up to 74% in energy savings over comparable 250W metal halide luminaires, the D-Series Wall is a reliable, low-maintenance lighting solution that produces sites that are exceptionally illuminated.

## Ordering Information

**EXAMPLE: DSXW1 LED 20C 1000 40K T3M MVOLT DBBTD**

Series	LEDs	Drive Current	Color temperature	Distribution	Voltage	Mounting	Control Options
DSXW1 LED	10C 10 LEDs (one engine) 20C 20 LEDs (two engines) <sup>1</sup>	350 350 mA 530 530 mA 700 700 mA 1000 1000 mA (1 A) <sup>1</sup>	30K 3000 K 40K 4000 K 50K 5000 K AMBPC Amber phosphor converted	T2S Type II Short T2M Type II Medium T3S Type III Short T3M Type III Medium T4M Type IV Medium TFTM Forward Throw Medium	MVOLT <sup>2</sup> 120 <sup>3</sup> 208 <sup>3</sup> 240 <sup>3</sup> 277 <sup>3</sup> 347 <sup>3,4</sup> 480 <sup>3,4</sup>	<b>Shipped included</b> (blank) Surface mounting bracket <b>BBW</b> Surface-mounted back box (for conduit entry) <sup>5</sup>	<b>Shipped installed</b> PE Photoelectric cell, button type <sup>6</sup> DMG 0-10v dimming wires pulled outside fixture (for use with an external control, ordered separately) PIR 180° motion/ambient light sensor, <15' mtg ht <sup>1,7</sup> PIRH 180° motion/ambient light sensor, 15-30' mtg ht <sup>1,7</sup> PIR1FC3V Motion/ambient sensor, 8-15' mounting height, ambient sensor enabled at 1fc <sup>1,7</sup> PIRH1FC3V Motion/ambient sensor, 15-30' mounting height, ambient sensor enabled at 1fc <sup>1,7</sup> E20WC Emergency battery backup (includes external component enclosure), CA Title 20 compliant <sup>8,9</sup>

Other Options	Finish (required)
<b>Shipped installed</b> SF Single fuse (120, 277 or 347V) <sup>3,10</sup> DF Double fuse (208, 240 or 480V) <sup>3,10</sup> HS House-side shield <sup>11</sup> SPD Separate surge protection <sup>12</sup>	<b>Shipped separately<sup>11</sup></b> BSW Bird-deterrent spikes VG Vandal guard DDL Diffused drop lens DDBXD Dark bronze DBLXD Black DNAXD Natural aluminum DWHXD White DSSXD Sandstone DBBTD Textured dark bronze DBLBXD Textured black DNATXD Textured natural aluminum DWHGXD Textured white DSSTXD Textured sandstone

## Accessories

Ordered and shipped separately.

DSXWHS U	House-side shield (one per light engine)
DSXWBSW U	Bird-deterrent spikes
DSXWTVG U	Vandal guard accessory

## NOTES

- 20C 1000 is not available with PIR, PIRH, PIR1FC3V or PIRH1FC3V.
- MVOLT driver operates on any line voltage from 120-277V (50/60 Hz).
- Single fuse (SF) requires 120, 277 or 347 voltage option. Double fuse (DF) requires 208, 240 or 480 voltage option.
- Only available with 20C, 700mA or 1000mA. Not available with PIR or PIRH.
- Back box ships installed on fixture. Cannot be field installed. Cannot be ordered as an accessory.
- Photocontrol (PE) requires 120, 208, 240, 277 or 347 voltage option. Not available with motion/ambient light sensors (PIR or PIRH).
- Reference Motion Sensor table on page 3.
- Same as old ELCW. Cold weather (-20C) rated. Not compatible with conduit entry applications. Not available with BBW mounting option. Not available with fusing. Not available with 347 or 480 voltage options. Emergency components located in back box housing. Emergency mode IES files located on product page at [www.lithonia.com](http://www.lithonia.com)
- Not available with SPD.
- Not available with E20WC.
- Also available as a separate accessory; see Accessories information.
- Not available with E20WC.



# Performance Data

## Lumen Output

Lumen values are from photometric tests performed in accordance with IESNA LM-79-08. Contact factory for performance data on any configurations not shown here.

LEDs	Drive Current (mA)	System Watts	Dist. Type	30K (3000 K, 70CRI)					40K (4000 K, 70CRI)					50K (5000 K, 70CRI)					AMBPC (Amber Phosphor Converted)				
				Lumens	B	U	G	LPW	Lumens	B	U	G	LPW	Lumens	B	U	G	LPW	Lumens	B	U	G	LPW
10C (10 LEDs)	350mA	13W	T2S	1,415	0	0	1	109	1,520	0	0	1	117	1,530	0	0	1	118	894	0	0	1	69
			T2M	1,349	0	0	1	104	1,448	0	0	1	111	1,458	0	0	1	112	852	0	0	1	66
			T3S	1,399	0	0	1	108	1,503	0	0	1	116	1,512	0	0	1	116	884	0	0	1	68
			T3M	1,385	0	0	1	107	1,488	0	0	1	114	1,497	0	0	1	115	876	0	0	1	67
			T4M	1,357	0	0	1	104	1,458	0	0	1	112	1,467	0	0	1	113	858	0	0	1	66
	TFTM	1,411	0	0	1	109	1,515	0	0	1	117	1,525	0	0	1	117	892	0	0	1	69		
	530 mA	19W	T2S	2,053	1	0	1	108	2,205	1	0	1	116	2,220	1	0	1	117	1,264	0	0	1	67
			T2M	1,957	1	0	1	103	2,102	1	0	1	111	2,115	1	0	1	111	1,205	0	0	1	63
			T3S	2,031	1	0	1	107	2,181	1	0	1	115	2,194	1	0	1	115	1,250	0	0	1	66
			T3M	2,010	1	0	1	106	2,159	1	0	1	114	2,172	1	0	1	114	1,237	0	0	1	65
			T4M	1,970	1	0	1	104	2,115	1	0	1	111	2,129	1	0	1	112	1,212	0	0	1	64
	TFTM	2,047	0	0	1	108	2,198	1	0	1	116	2,212	1	0	1	116	1,260	0	0	1	66		
	700 mA	26W	T2S	2,623	1	0	1	101	2,816	1	0	1	108	2,834	1	0	1	109	1,544	0	0	1	59
			T2M	2,499	1	0	1	96	2,684	1	0	1	103	2,701	1	0	1	104	1,472	0	0	1	57
			T3S	2,593	1	0	1	100	2,785	1	0	1	107	2,802	1	0	1	108	1,527	0	0	1	59
			T3M	2,567	1	0	1	99	2,757	1	0	1	106	2,774	1	0	1	107	1,512	0	0	1	58
			T4M	2,515	1	0	1	97	2,701	1	0	1	104	2,718	1	0	1	105	1,481	0	0	1	57
	TFTM	2,614	1	0	1	101	2,808	1	0	1	108	2,825	1	0	1	109	1,539	0	0	1	59		
	1000 mA	39W	T2S	3,685	1	0	1	94	3,957	1	0	1	101	3,982	1	0	1	102	2,235	1	0	1	57
			T2M	3,512	1	0	1	90	3,771	1	0	1	97	3,794	1	0	1	97	2,130	1	0	1	55
			T3S	3,644	1	0	1	93	3,913	1	0	1	100	3,938	1	0	1	101	2,210	1	0	1	57
			T3M	3,607	1	0	1	92	3,873	1	0	1	99	3,898	1	0	1	100	2,187	1	0	1	56
			T4M	3,534	1	0	2	91	3,796	1	0	2	97	3,819	1	0	2	98	2,143	1	0	1	55
	TFTM	3,673	1	0	1	94	3,945	1	0	1	101	3,969	1	0	1	102	2,228	1	0	1	57		
20C (20 LEDs)	350mA	23W	T2S	2,820	1	0	1	123	3,028	1	0	1	132	3,047	1	0	1	132	1,777	1	0	1	77
			T2M	2,688	1	0	1	117	2,886	1	0	1	125	2,904	1	0	1	126	1,693	1	0	1	74
			T3S	2,789	1	0	1	121	2,994	1	0	1	130	3,014	1	0	1	131	1,757	0	0	1	76
			T3M	2,760	1	0	1	120	2,965	1	0	1	129	2,983	1	0	1	130	1,739	1	0	1	76
			T4M	2,704	1	0	1	118	2,905	1	0	1	126	2,922	1	0	1	127	1,704	1	0	1	74
	TFTM	2,811	1	0	1	122	3,019	1	0	1	131	3,038	1	0	1	132	1,771	0	0	1	77		
	530 mA	35W	T2S	4,079	1	0	1	117	4,380	1	0	1	125	4,407	1	0	1	126	2,504	1	0	1	72
			T2M	3,887	1	0	1	111	4,174	1	0	1	119	4,201	1	0	1	120	2,387	1	0	1	68
			T3S	4,033	1	0	1	115	4,331	1	0	1	124	4,359	1	0	1	125	2,477	1	0	1	71
			T3M	3,993	1	0	2	114	4,288	1	0	2	123	4,315	1	0	2	123	2,451	1	0	1	70
			T4M	3,912	1	0	2	112	4,201	1	0	2	120	4,227	1	0	2	121	2,402	1	0	1	69
	TFTM	4,066	1	0	2	116	4,366	1	0	2	125	4,394	1	0	2	126	2,496	1	0	1	71		
	700 mA	46W	T2S	5,188	1	0	1	113	5,572	1	0	1	121	5,607	1	0	1	122	3,065	1	0	1	67
			T2M	4,945	1	0	2	108	5,309	1	0	2	115	5,343	1	0	2	116	2,921	1	0	1	64
			T3S	5,131	1	0	2	112	5,510	1	0	2	120	5,544	1	0	2	121	3,031	1	0	1	66
			T3M	5,078	1	0	2	110	5,454	1	0	2	119	5,487	1	0	2	119	3,000	1	0	1	65
			T4M	4,975	1	0	2	108	5,343	1	0	2	116	5,376	1	0	2	117	2,939	1	0	1	64
	TFTM	5,172	1	0	2	112	5,554	1	0	2	121	5,589	1	0	2	122	3,055	1	0	1	66		
	1000 mA	73W	T2S	7,204	1	0	2	99	7,736	2	0	2	106	7,784	2	0	2	107	4,429	1	0	1	61
			T2M	6,865	1	0	2	94	7,373	2	0	2	101	7,419	2	0	2	102	4,221	1	0	1	58
			T3S	7,125	1	0	2	98	7,651	1	0	2	105	7,698	1	0	2	105	4,380	1	0	1	60
			T3M	7,052	1	0	2	97	7,573	2	0	2	104	7,620	2	0	2	104	4,335	1	0	2	59
			T4M	6,909	1	0	2	95	7,420	1	0	2	102	7,466	1	0	2	102	4,248	1	0	2	58
	TFTM	7,182	1	0	2	98	7,712	1	0	2	106	7,761	1	0	2	106	4,415	1	0	2	60		

## Performance Data

### Lumen Ambient Temperature (LAT) Multipliers

Use these factors to determine relative lumen output for average ambient temperatures from 0-40°C (32-104°F).

Ambient		Lumen Multiplier
0°C	32°F	1.02
10°C	50°F	1.01
20°C	68°F	1.00
25°C	77°F	1.00
30°C	86°F	1.00
40°C	104°F	0.98

### Projected LED Lumen Maintenance

Data references the extrapolated performance projections for the DSXW1 LED 20C 1000 platform in a 25°C ambient, based on 10,000 hours of LED testing (tested per IESNA LM-80-08 and projected per IESNA TM-21-11).

To calculate LLF, use the lumen maintenance factor that corresponds to the desired number of operating hours below. For other lumen maintenance values, contact factory.

Operating Hours	0	25,000	50,000	100,000
Lumen Maintenance Factor	1.0	0.95	0.93	0.88

### Electrical Load

LEDs	Drive Current (mA)	System Watts	Current (A)					
			120V	208V	240V	277V	347V	480V
10C	350	14 W	0.13	0.07	0.06	0.06	-	-
	530	20 W	0.19	0.11	0.09	0.08	-	-
	700	27 W	0.25	0.14	0.13	0.11	-	-
	1000	40 W	0.37	0.21	0.19	0.16	-	-
20C	350	24 W	0.23	0.13	0.12	0.10	-	-
	530	36 W	0.33	0.19	0.17	0.14	-	-
	700	47 W	0.44	0.25	0.22	0.19	0.15	0.11
	1000	74 W	0.69	0.40	0.35	0.30	0.23	0.17

### Motion Sensor Default Settings

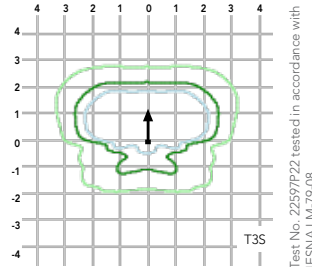
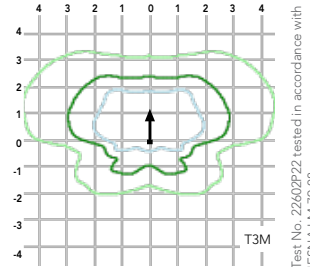
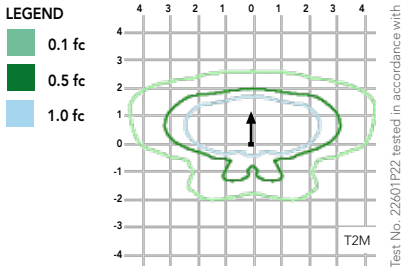
Option	Dimmed State	High Level (when triggered)	Photocell Operation	Dwell Time	Ramp-up Time	Ramp-down Time
PIR or PIRH	3V (37%) Output	10V (100%) Output	Enabled @ 5FC	5 min	3 sec	5 min
*PIR1FC3V or PIRH1FC3V	3V (37%) Output	10V (100%) Output	Enabled @ 1FC	5 min	3 sec	5 min

\*For use when motion sensor is used as dusk to dawn control

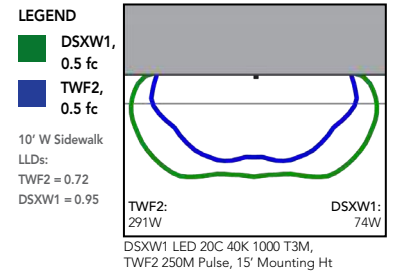
## Photometric Diagrams

To see complete photometric reports or download .ies files for this product, visit Lithonia Lighting's [D-Series Wall Size 1 homepage](#).

Isfootcandle plots for the DSXW1 LED 20C 1000 40K. Distances are in units of mounting height (15').



Distribution overlay comparison to 250W metal halide.



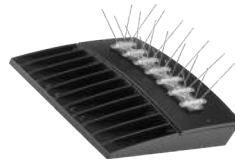
## Options and Accessories



T3M (left)



HS - House-side shields



BSW - Bird-deterrent spikes



VG - Vandal guard



DDL - Diffused drop lens

## FEATURES & SPECIFICATIONS

### INTENDED USE

The energy savings, long life and easy-to-install design of the D-Series Wall Size 1 make it the smart choice for building-mounted doorway and pathway illumination for nearly any facility.

### CONSTRUCTION

Two-piece die-cast aluminum housing has integral heat sink fins to optimize thermal management through conductive and convective cooling. Modular design allows for ease of maintenance. The LED driver is mounted to the door to thermally isolate it from the light engines for low operating temperature and long life. Housing is completely sealed against moisture and environmental contaminants (IP65).

### FINISH

Exterior parts are protected by a zinc-infused Super Durable TGIC thermoset powder coat finish that provides superior resistance to corrosion and weathering. A tightly controlled multi-stage process ensures a minimum 3 mils thickness for a finish that can withstand extreme climate changes without cracking or peeling. Available in textured and non-textured finishes.

### OPTICS

Precision-molded proprietary acrylic lenses provide multiple photometric distributions tailored specifically to building mounted applications. Light engines are available in 3000 K (70 min. CRI), 4000 K (70 min. CRI) or 5000 K (70 min. CRI) configurations.

### ELECTRICAL

Light engine(s) consist of 10 high-efficacy LEDs mounted to a metal-core circuit board to maximize heat dissipation and promote long life (L88/100,000 hrs at 25°C). Class 1 electronic drivers have a power factor >90%, THD <20%, and a minimum 2.5KV surge rating. When ordering the SPD option, a separate surge protection device is installed within the luminaire which meets a minimum Category C Low (per ANSI/IEEE C62.41.2).

### INSTALLATION

Included universal mounting bracket attaches securely to any 4" round or square outlet box for quick and easy installation. Luminaire has a slotted gasket wireway and attaches to the mounting bracket via corrosion-resistant screws.

### LISTINGS

CSA certified to U.S. and Canadian standards. Rated for -40°C minimum ambient.

DesignLights Consortium® (DLC) qualified product. Not all versions of this product may be DLC qualified. Please check the DLC Qualified Products List at [www.designlights.org/QPL](http://www.designlights.org/QPL) to confirm which versions are qualified.

### BUY AMERICAN

This product is assembled in the USA and meets the Buy America(n) government procurement requirements under FAR, DFARS and DOT. Please refer to [www.acuitybrands.com/resources/buy-american](http://www.acuitybrands.com/resources/buy-american) for additional information.

### WARRANTY

Five-year limited warranty. This is the only warranty provided and no other statements in this specification sheet create any warranty of any kind. All other express and implied warranties are disclaimed. Complete warranty terms located at:

[www.acuitybrands.com/support/warranty/terms-and-conditions](http://www.acuitybrands.com/support/warranty/terms-and-conditions)

**Note:** Actual performance may differ as a result of end-user environment and application. All values are design or typical values, measured under laboratory conditions at 25 °C. Specifications subject to change without notice.

