

# Total Wine

**SPIRITS • BEER & MORE**

---

1834 S. Signal Butte Rd.  
Mesa, AZ 85209

SO #176568  
Created: 08.09.2023  
Revised: 03.27.2024



National Headquarters: 1077 West Blue Heron Blvd.  
West Palm Beach, Florida 33404  
800.772.7932  
[www.atlasbtw.com](http://www.atlasbtw.com)

# Site Plan

Sign	Proposed Sign	Qty
S01	Channel Letters	1
S02	Channel Letters	1
S03	Tenant Panels	2

S05	New awning	1
S06	Tenant Faces	2



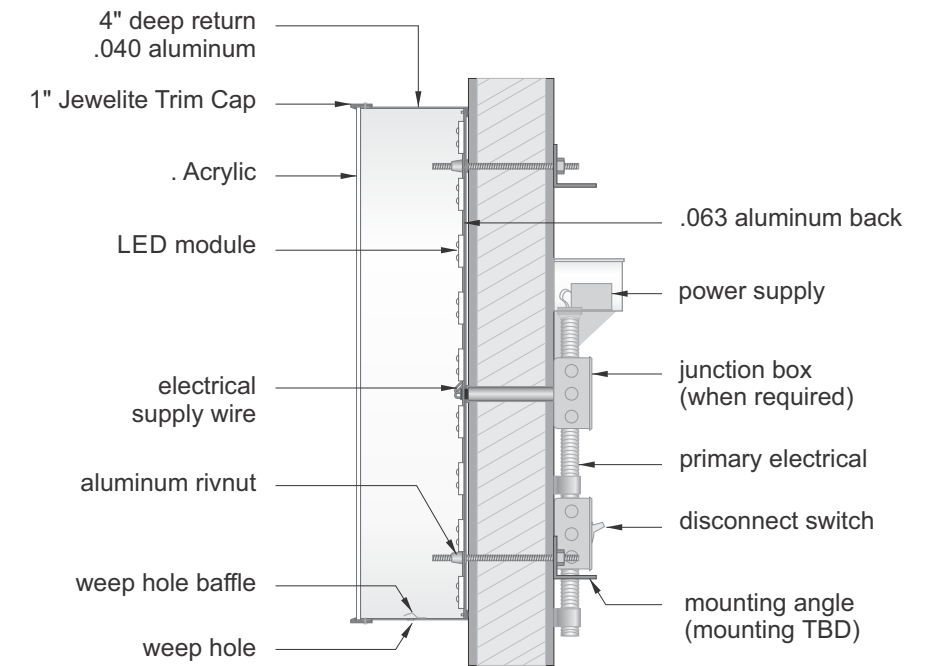
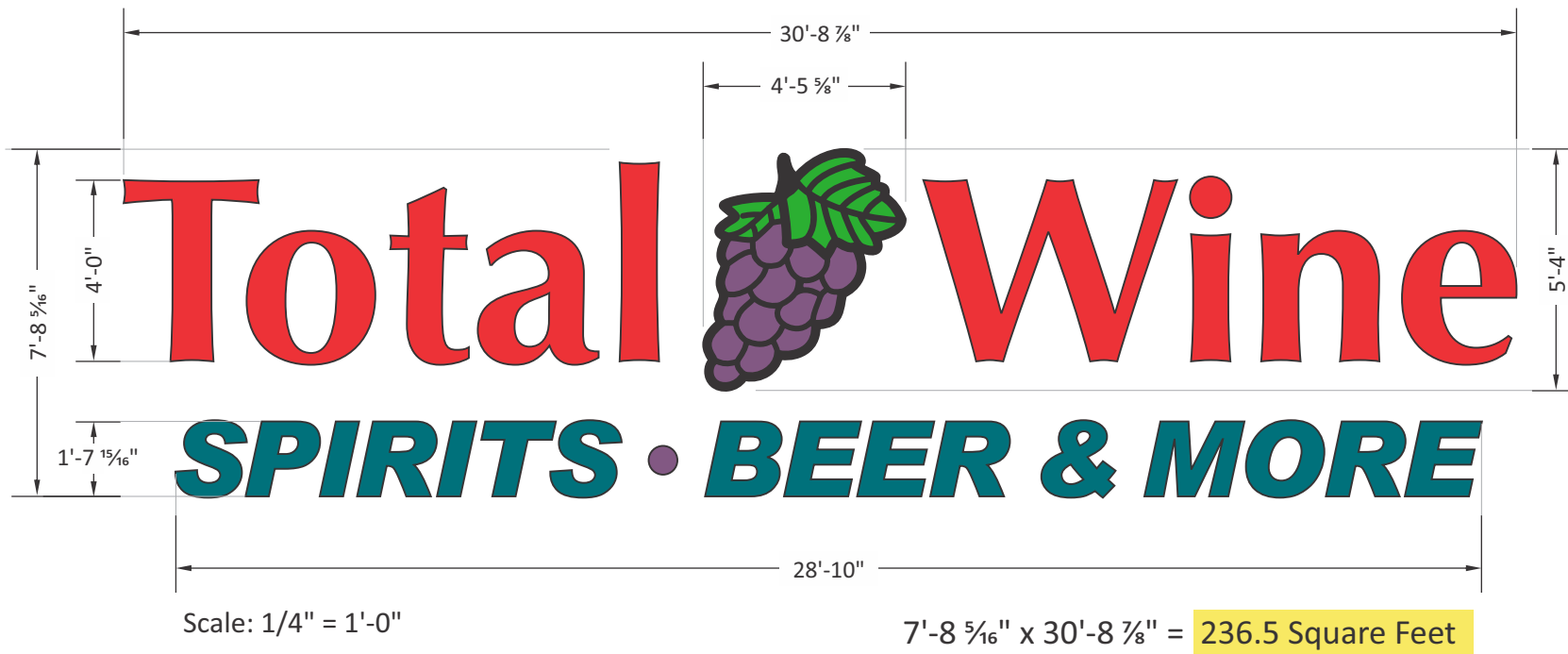
National Headquarters: 1077 West Blue Heron Blvd.  
 West Palm Beach, Florida 33404  
 800.772.7932  
 www.atlasbtw.com

Revisions:	
AF 10.31.2023 Updated site plan to add S06	...
...	...
...	...
...	...
...	...

SP

PM: KS	Address: 1834 S. Signal Butte Rd.
Drawn By: PP	City State: Mesa, AZ 85209
Date: 03.27.2024	Drawing Number: 176568
	Page: 2





**SURVEY REQUIRED TO VERIFY ALL DIMENSIONS**



Scale: 3/32" - 1'-0"

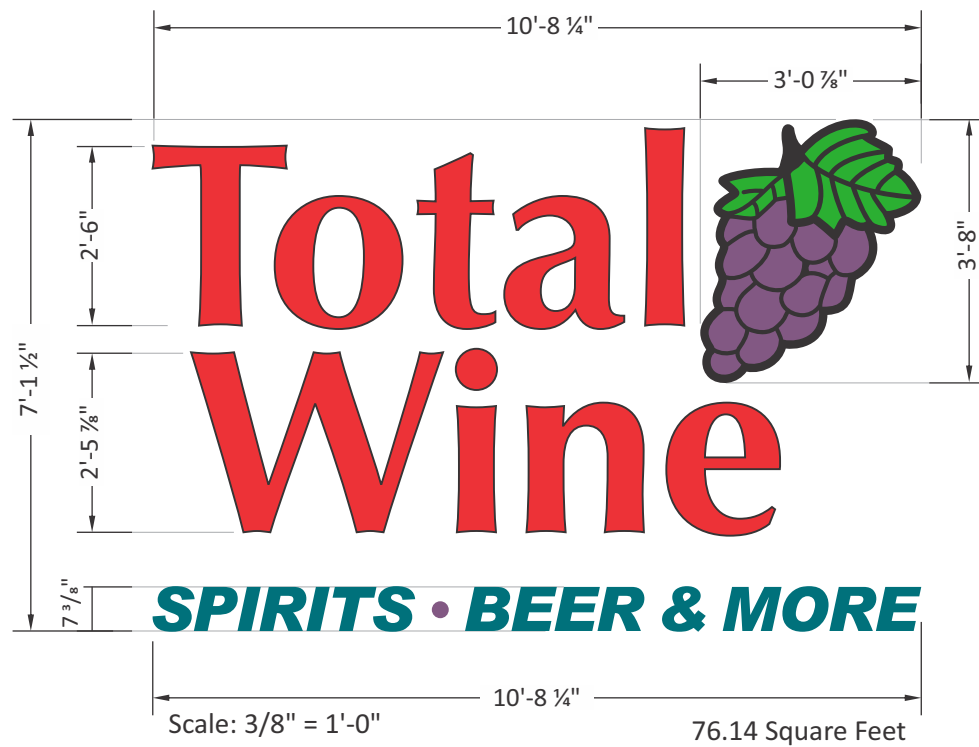
FRONT ELEVATION

Material & Color:

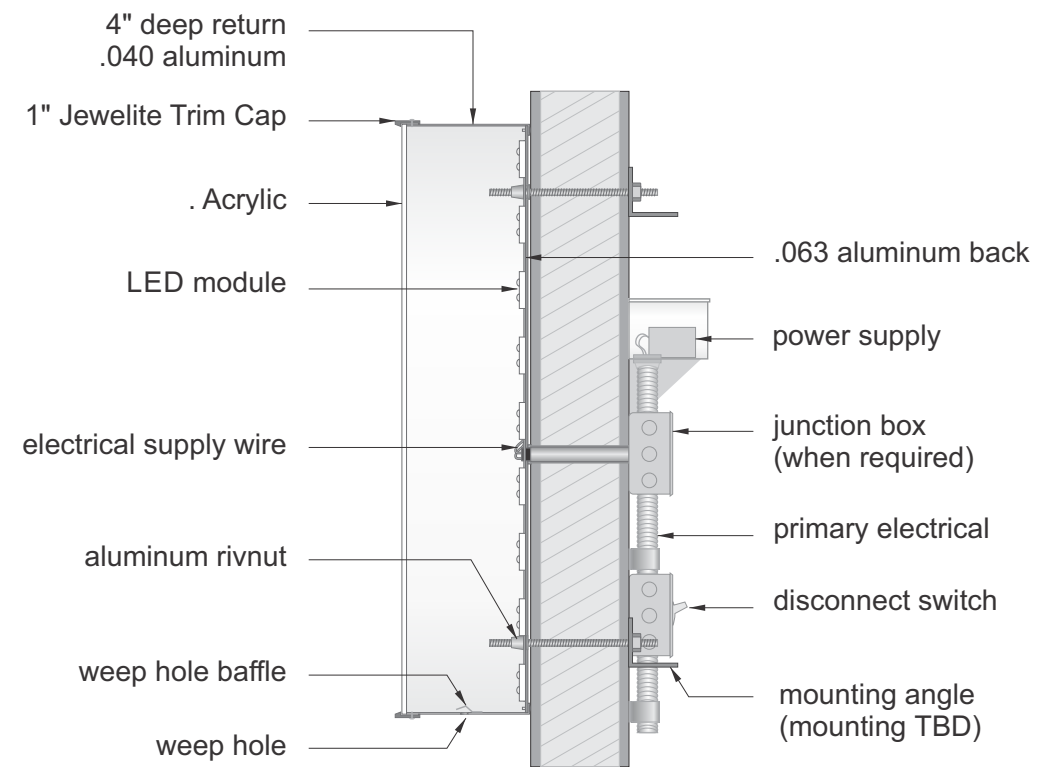
- Vinyl - 3M 3630-106 Brilliant Green
- Vinyl - 3M 3630-128 Plum Purple
- Vinyl - 3M 3630-246 Teal Green
- Vinyl - 3M 3630-22 Black
- "Total Wine" Letter Faces - RED Acrylic #SG278-0
- Letter Faces - 2447 LD White Acrylic
- Trimcap - Standard 1" Black Jewelite
- Returns - Black (Satin)
- Illumination - Principle LEDs

Revisions:		
...	...	...
...	...	...
...	...	...
...	...	...
...	...	...

PM: KS	Address: 1834 S. Signal Butte Rd.
Drawn By: PP	City State: Mesa, AZ 85209
Date: 03.27.2024	Drawing Number: 176568
	Page: 3



\* Field survey required prior to production



Remote Wired Cross Section



Scale: 3/32" - 1'-0"

REAR ELEVATION

Material & Color:

- Vinyl - 3M 3630-106 Brilliant Green
- Vinyl - 3M 3630-128 Plum Purple
- Vinyl - 3M 3630-246 Teal Green
- Vinyl - 3M 3630-22 Black
- "Total Wine" Letter Faces - RED Acrylic #SG278-0
- Letter Faces - 2447 LD White Acrylic
- Trimcap - Standard 1" Black Jewelite
- Returns - Black (Satin)
- Illumination - Principle LEDs

Revisions:	
...	...
...	...
...	...
...	...
...	...



Existing Monument

Action:

- Manufacture and install new (2) new Routed & Acrylic backed tenant panels as shown for installation into (1) double face Monument sign.

Colors & Materials

- Routed Faces: Painted SW 6126 Navajo White (Textured finish)
- Acrylic Backed Face: #7328 White Acrylic
- 3M 3630-53 Cardinal Red Vinyl
- 3M 3630-246 Teal Green Vinyl
- 3M 3630-128 Plum Purple Vinyl
- 3M 3630-106 Brilliant Green Vinyl
- 3M 3630-22 Matte Black Vinyl



Proposed Monument

Revisions:	
PP 09.19.2023 Survey dimensions added	...
...	...
...	...
...	...
...	...





Existing Pylon



Proposed Pylon

**SCOPE**

- Manufacture & install (2) Routed & Polycarbonate backed aluminum face replacements for (1) D/F sign

**GENERAL DESCRIPTION**

- Routed 1/8" aluminum face, 7328 white polycarbonate backed.
- Vinyl graphics applied to 1st surface of both faces via translucent vinyl (See color schedule).
- Faces installed into existing D/F pylon cabinet with existing face retainers & divider bars

**Colors & Materials**

- Routed Face: 1/8" Alum. Painted Satin white, w/ textured finish
- Polycarbonate Backed Face: #7328 White Polycarbonate
- 3M 3630-53 Cardinal Red Vinyl
- 3M 3630-246 Teal Green Vinyl
- 3M 3630-128 Plum Purple Vinyl
- 3M 3630-106 Brilliant Green Vinyl
- 3M 3630-22 Matte Black Vinyl

Revisions:	
PP 10.11.2023 New tenant faces	...
PP 03.27.2024 Survey dimensions added	...
...	...
...	...
...	...