

**A**  
Sparkling Cider | DEW321

**F**  
Persimmon | DE5293

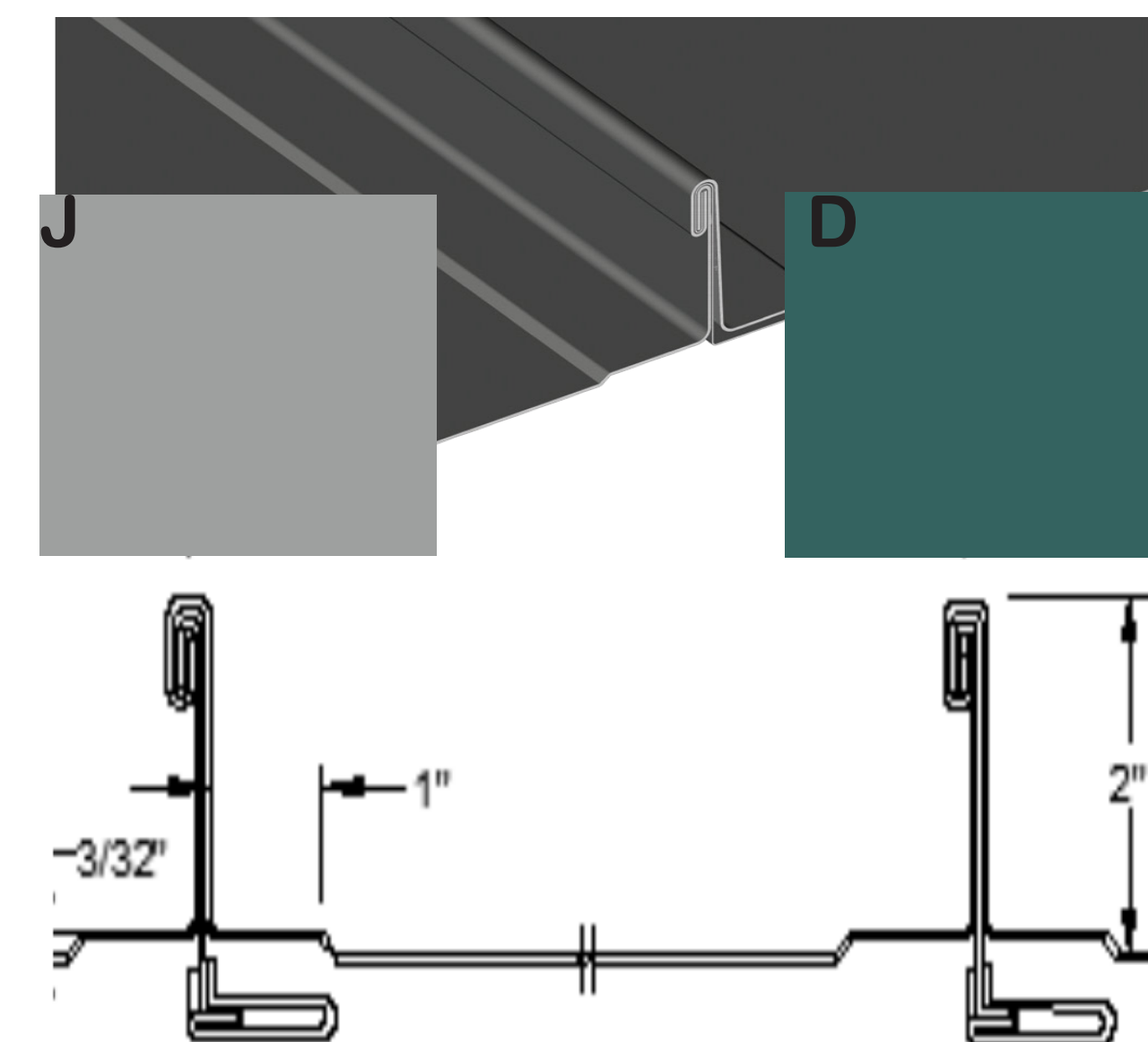
Three-Coat Stucco System  
Color: As Indicated  
Areas: Existing Exterior



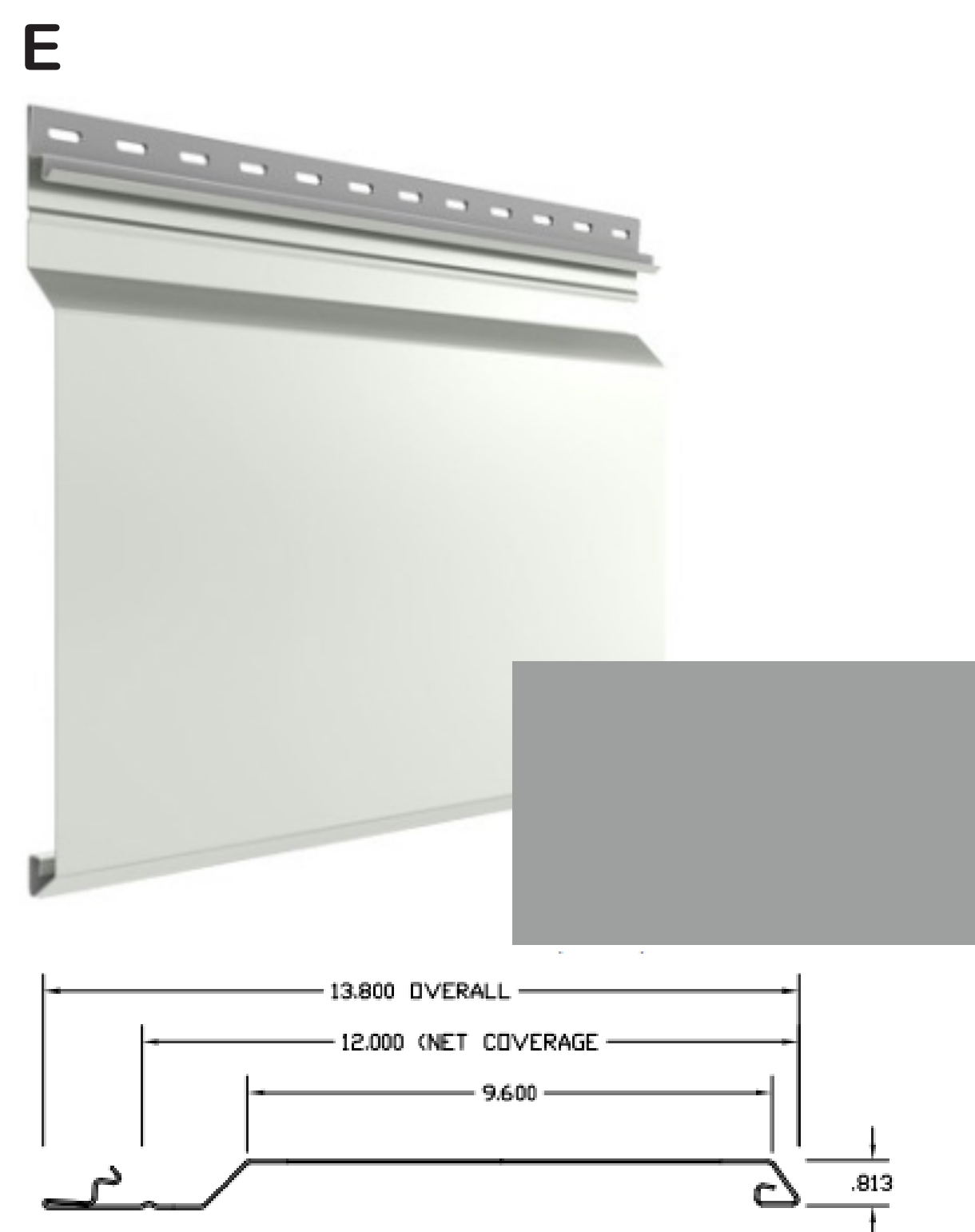
**B**  
Existing split face stone veneer to remain  
Color: Dunn-Edwards Burmese Gold / 1260  
Areas: Existing exterior on Retail and at base of walls at Carwash

**C**  
Teal Waters | DEA131

Three-Coat Stucco Fascia  
Color: Dunn-Edwards Persimmon | DE5293  
Areas: Carwash Fascia Trim Where Indicated



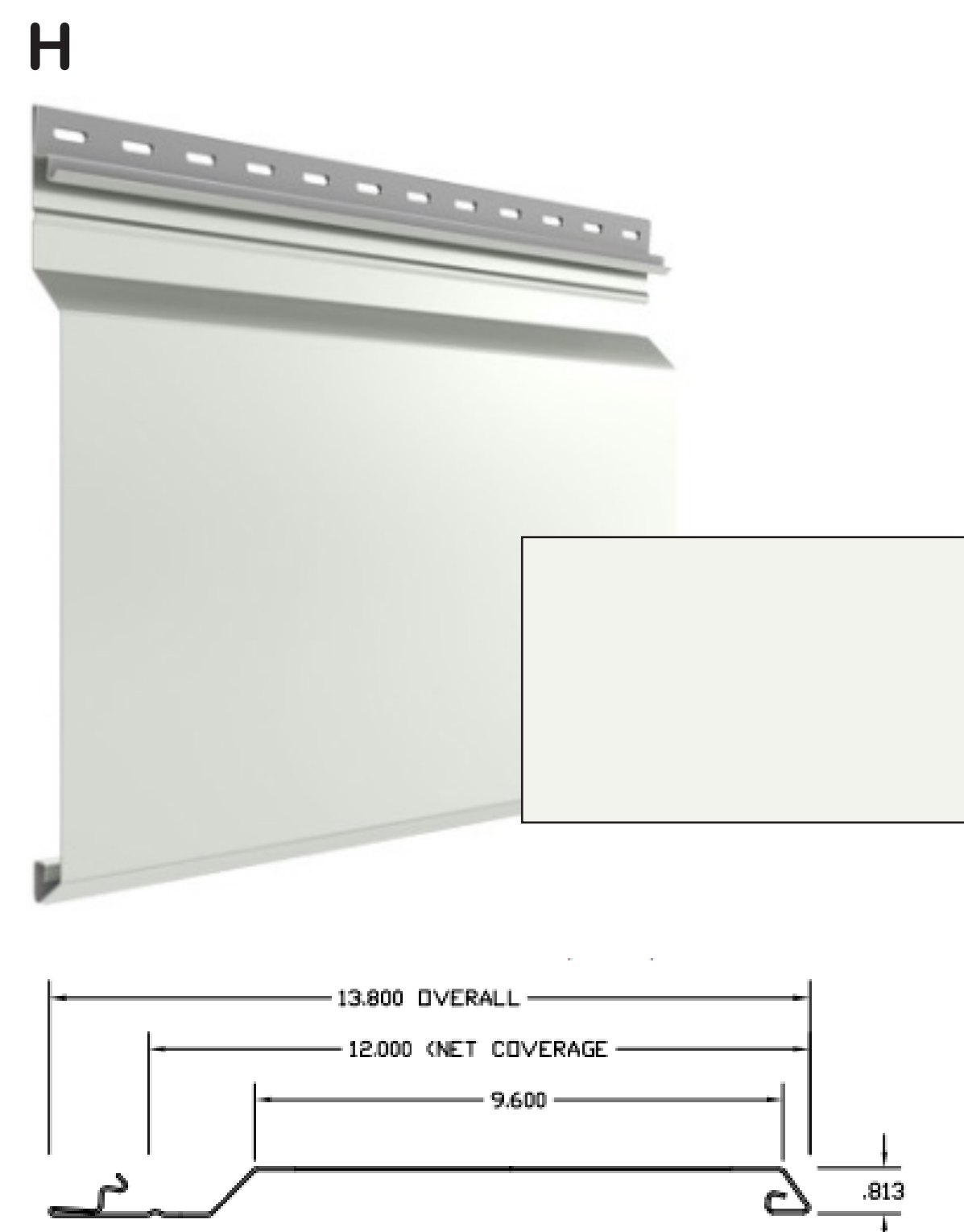
Standing Seam Metal Roof and Fascia  
2" Seam (UNA-CLAD UC-6)  
Manuf: Firestone  
Color: Teal (D) & Slate Grey (J)  
Areas: Car Wash Roof Canopy



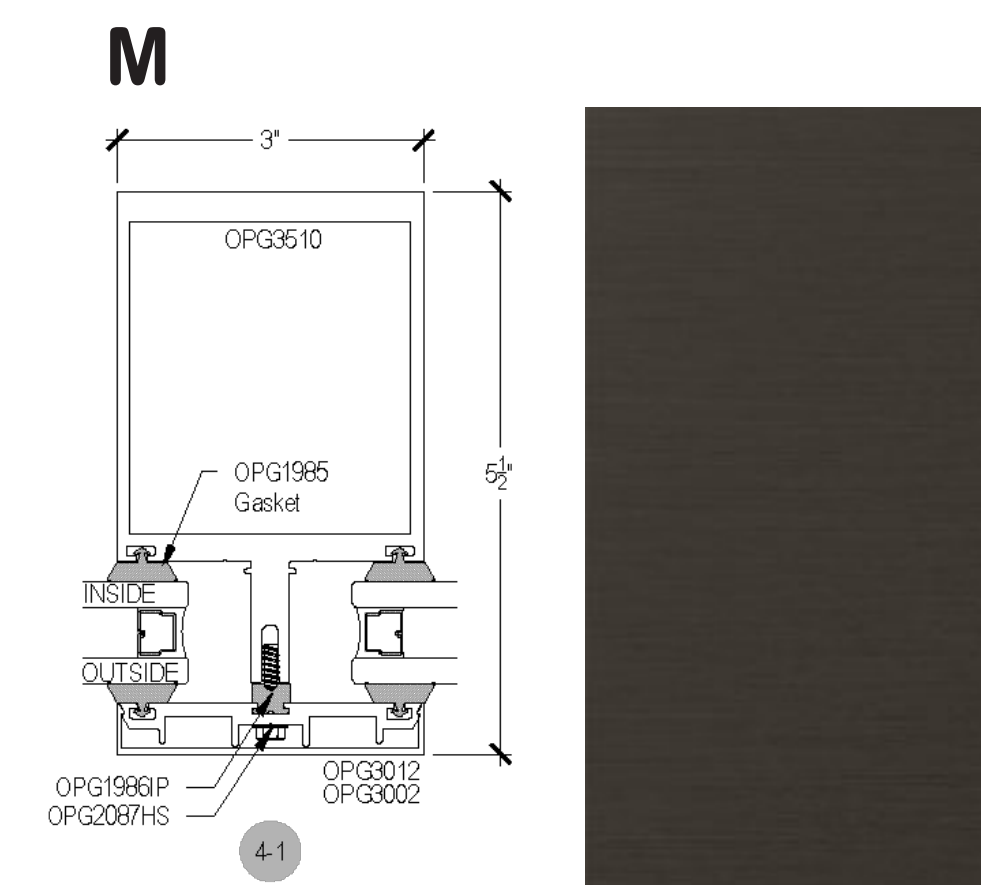
Interlock Flat Concealed Fastener Panels (CFP-12)  
Manuf: Firestone  
Color: Cityscape  
Areas: Exterior Pop-Outs on Retail and Carwash



**G**  
Powder Coat Laser Cut Metal  
Color: Dunn-Edwards Warm White | DEW380  
Areas: Signage



Interlock Flat Concealed Fastener Panels (CFP-12)  
Manuf: Firestone  
Color: Stone White  
Areas: Exterior Pop-Outs on Retail and Carwash

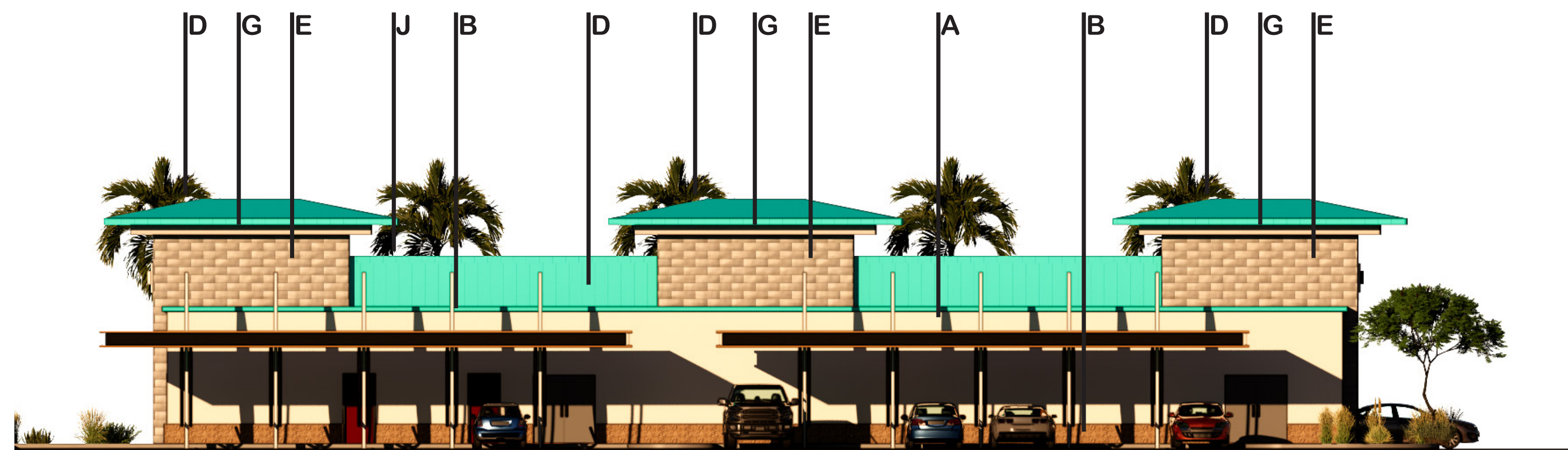


**M**  
STOREFRONT  
2" x 4" Mullion  
Manuf: Arcadia  
Color: Anodized Bronze  
Areas: Where Noted

Existing Tile Roof to Remain



RETAIL - SOUTH ELEVATION



CAR WASH - SOUTH ELEVATION