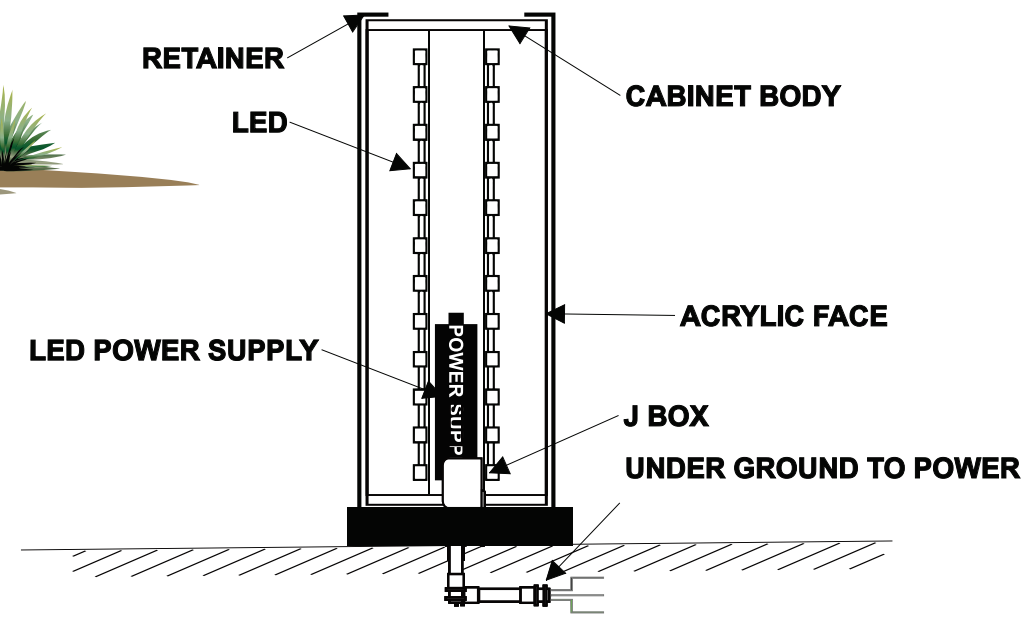


- COLOR SCHEDULE:
- FULL COLOR TRANSLUCENT DIGITAL PRINT
 - MP 89146 / SW 9092 ICED MOCHA
 - MP TO MATCH
 - MP BLACK

PRINT READY ARTWORK
 YES NO

- SPECIFICATIONS:
- MANUFACTURE AND INSTALL D/S ILLUMINATED CABINET
 - ALUMINUM CABINET PAINTED MP BLACK WITH A 2" RETAINER
 - WHITE PLEX PANELS WITH FULL COLOR TRANSLUCENT DIGITAL PRINTS
 - INTERNAL WHITE LED ILLUMINATION
 - CABINET SIDES CLAD WITH TILE TO MATCH EXISTING
 - 6" TOPPER AND 3" BASE CAP PAINTED MP TO MATCH BUILDING COLOR
 - 1/4" ALUMINUM FLAT CUT OUT ADDRESS NUMBERS PAINTED MP BLACK AND FLUSH MOUNTED TO BASE
 - 5"Ø SCHEDULE 40 PIPE SET INTO 2' x 7' - 0" 2500 PSI CONCRETE FOOTER

CONSTRUCTION DETAILS



MONUMENT Qty: 1 D/S
 Scale: 1/2" = 1' 120" x 120" = 100 Sq Ft.

SIDE VIEW
 Scale: 1/2" = 1'



CLIENT: Choices Pregnancy Center
 ADDRESS: 3155 E. Southern Ave
 CITY/STATE: Mesa, AZ 85204

DRAWING: 250245_Permit_ChoicesPregnancyCenter_v3 SALES REP: Stephanie Johnson EMAIL: stephanie@summitwestsigns.com



DATE:

- PROOF OK AS IS
- PROCEED WITH CHANGES AS MARKED

Your signature acknowledges full approval of design layout and content, releasing SummitWest Signs from responsibility in regard to incorrect information and design. All colors, sizes, positions and specifications shown on this page are artistic concepts only and may vary as needed to facilitate fabrication and installation. Final colors will be matched as close as possible. Slight color variances are inevitable due to materials used and variations in color adjustments between computer monitor and individual desktop printers. All designs are the sole property of SummitWest Signs, are © copyright 2015-2025 and may not be reproduced or used in any way without the written permission and consent of the copyright holder. Violators may be prosecuted.

DESIGNER: MYM
 DATE: 08/16/25
 PAGE: 1
250245



NIGHT VIEW



ELEVATION RENDERING (FACING EAST)



DATE:

- PROOF OK AS IS
- PROCEED WITH CHANGES AS MARKED