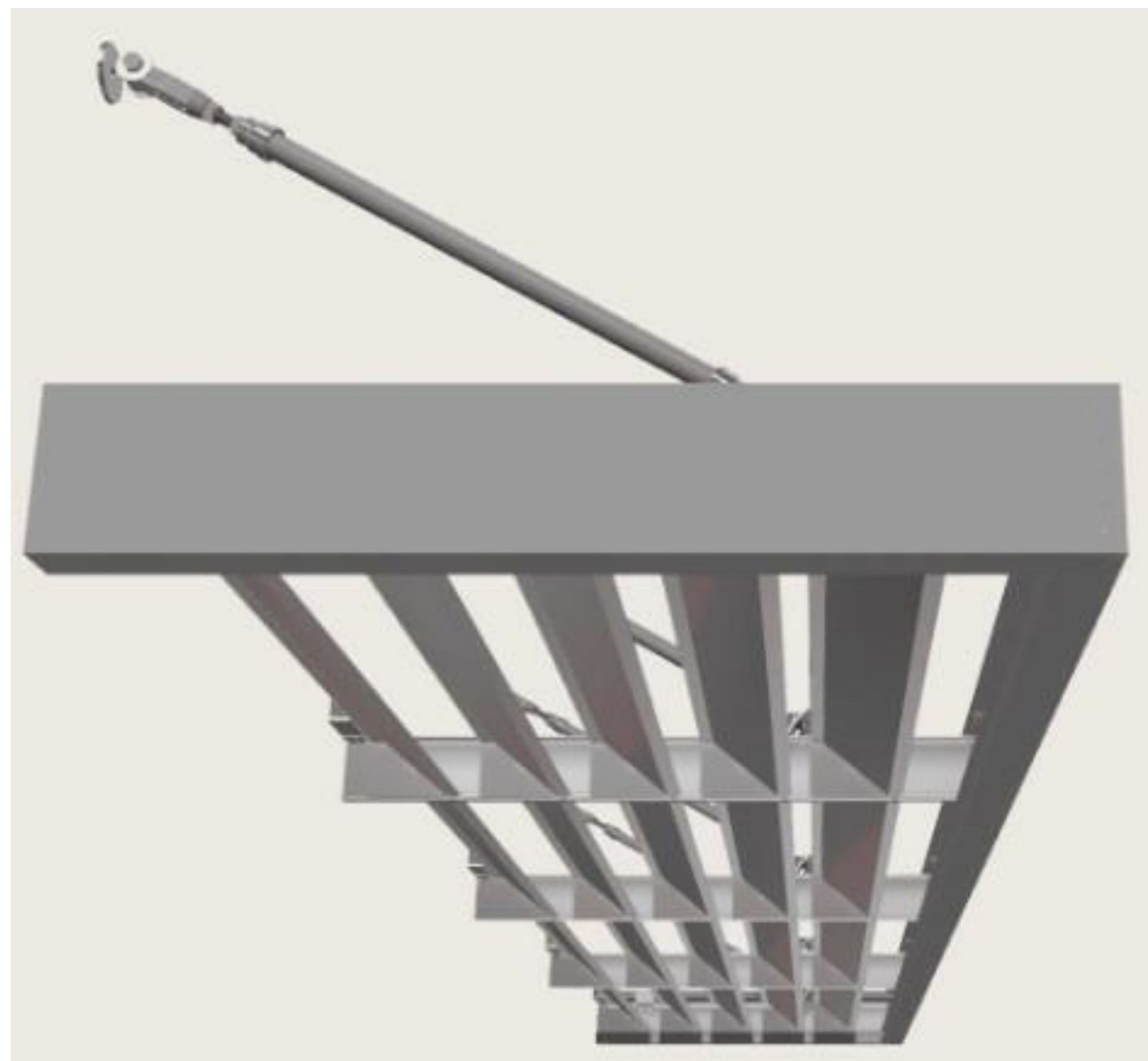


971 Chromium Gray



Clear Anodized

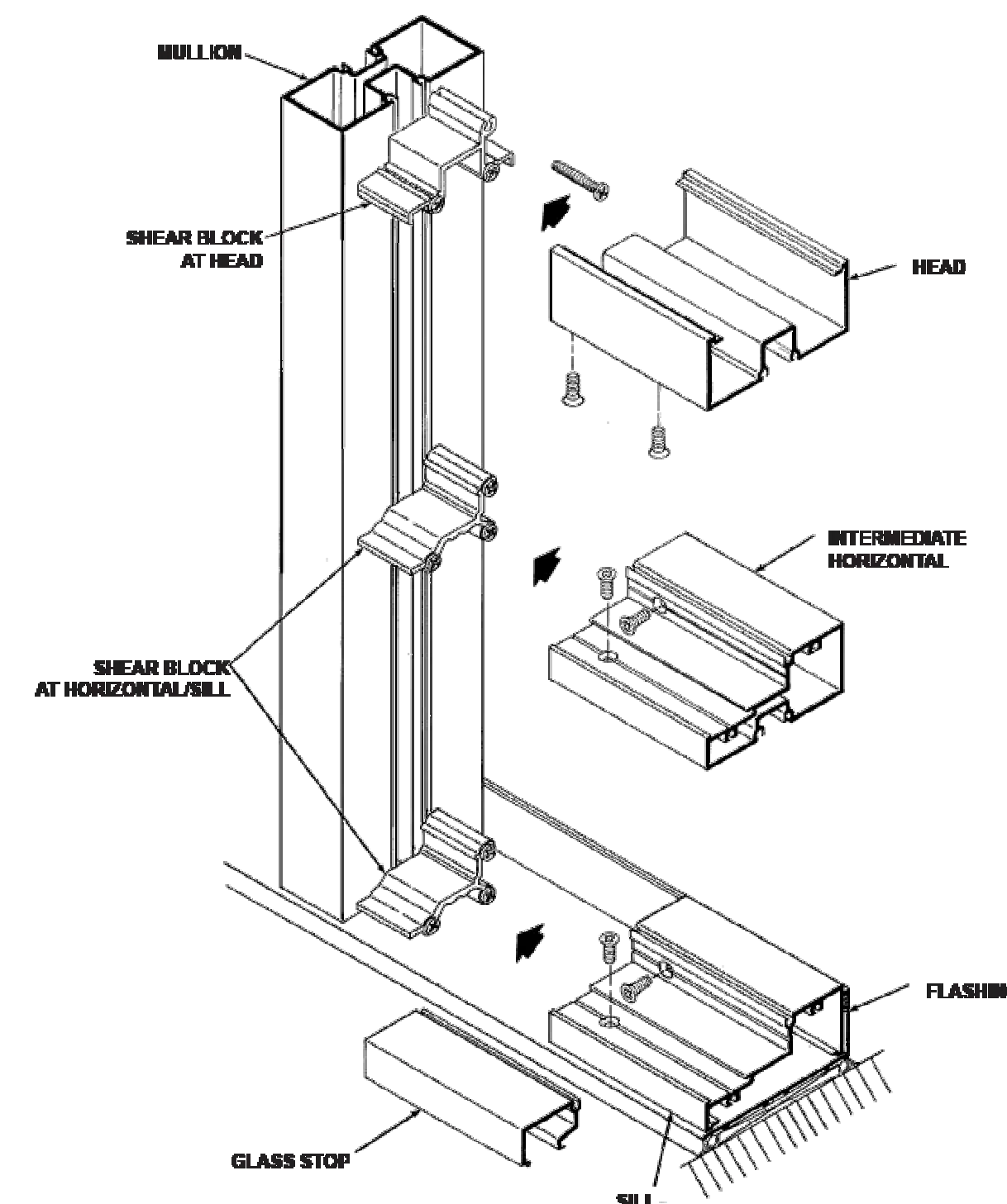


Durango

Insulated Metal Wall Panel

Prefinished Aluminum Architectural Canopies

Split-Face Masonry



Warm Gray

Spandrel Glazing



CHARCOAL

OUTDOOR LITE
Graylite® II + Solarban® 90 (3) Clear



Insulated Glazing Unit

Diam. of Wire	Width of Opening	Percentage of Open Area	Weights Plain Steel*
---------------	------------------	-------------------------	----------------------

1" MESH CENTER TO CENTER			
.250"	.750"	56.3%	412.4
.225"	.775"	60.1%	332.1
.207"	.793"	62.9%	280.1
.192"	.808"	65.3%	240.3
.177"	.823"	67.7%	203.7
.162"	.838"	70.2%	170.2
.148"	.852"	72.6%	141.7
.135"	.865"	74.8%	117.7
.120"	.880"	77.4%	92.8
.105"	.895"	80.1%	71.0
.092"	.908"	82.4%	54.4
.080"	.920"	84.6%	41.1
.072"	.928"	86.1%	33.3
.063"	.937"	87.8%	25.5

Metal Wire Mesh



Aluminum Storefront Window System

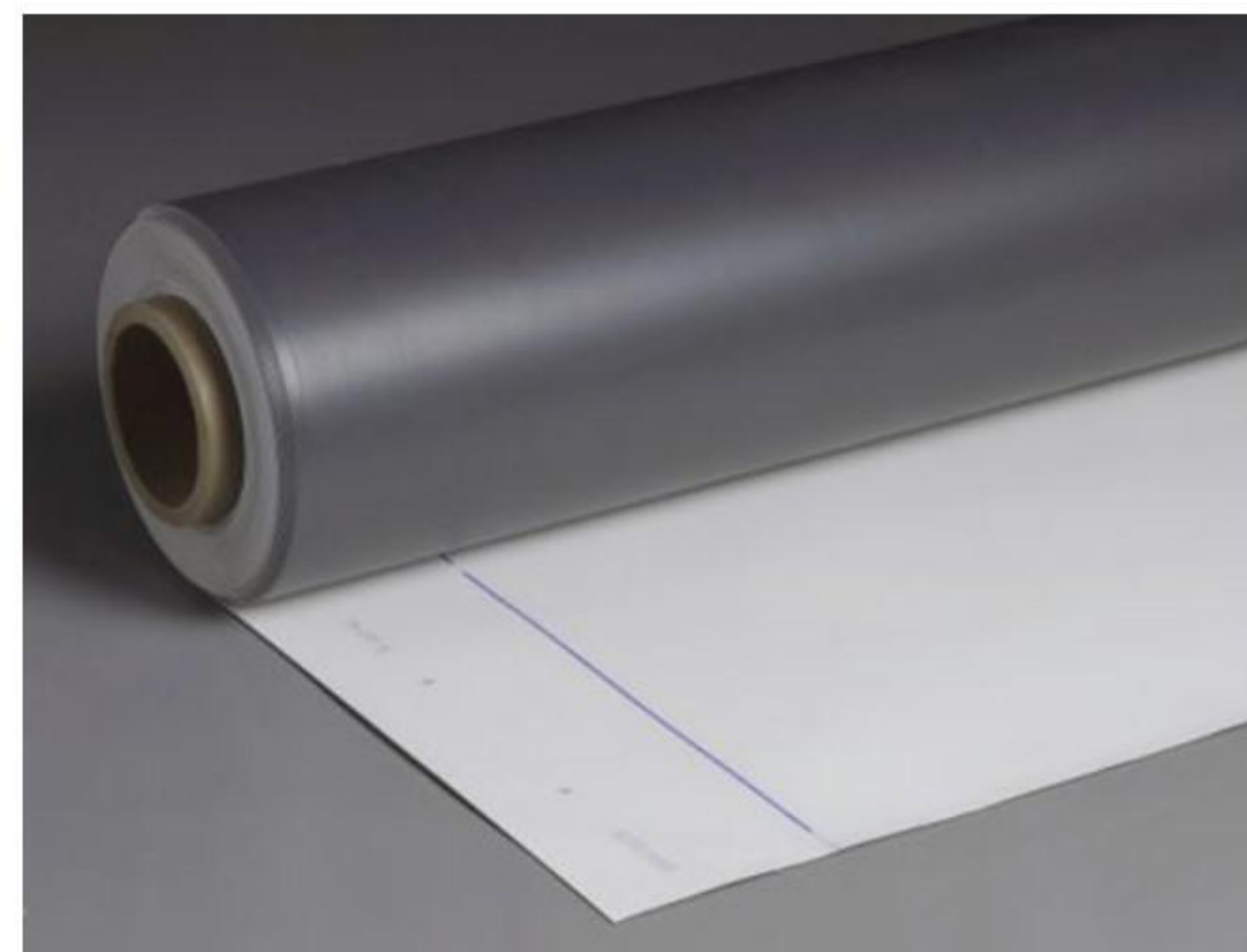
Insulated Glazing Unit

Metal Wire Mesh



179 Regal White

Standing Seam Metal Roof

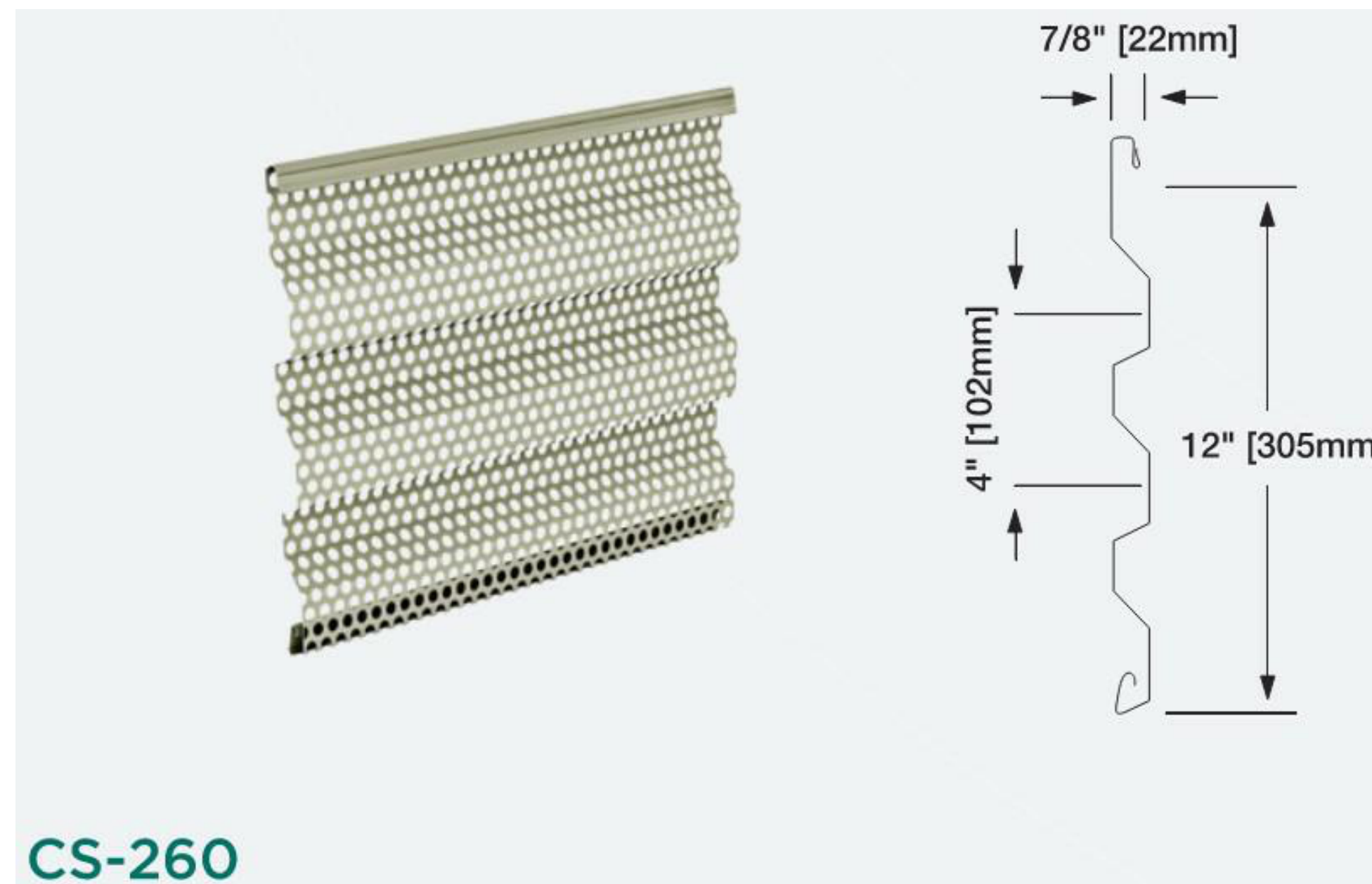


Colors



*Grey and Tan lead times are subject to availability and may require an upcharge for smaller projects.

Thermoplastic Polyolefin (TPO) Roofing Membrane

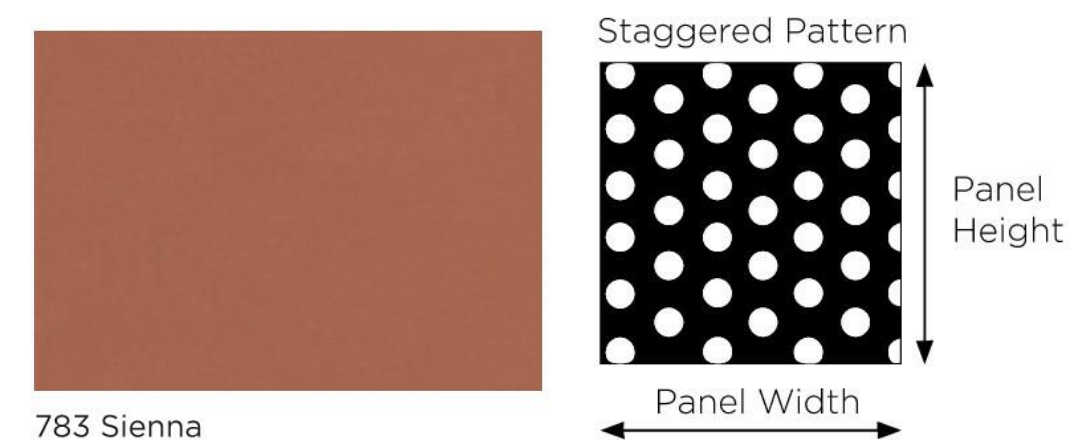


CS-260

Perforated Metal Screening Panel

PERFORATION PATTERN OPTIONS

OPEN/FREE AREA PERCENTAGE	PATTERN	DIAMETER	SPACING
10%	Reverse	1/8"	3/8"
23%	Reverse	1/8"	1/4"
23%	Reverse	1/4"	1/2"
30%	Staggered	1/8"	7/32"
33%	Staggered	3/16"	5/16"
40%	Staggered	1/8"	3/16"
40%	Staggered	3/8"	9/16"



783 Sienna



09/26/2024

FINAL: FOR DESIGN REVIEW
BOARD APPROVAL 11/12/2024

MATERIAL BOARD

MPCA AZ4 EXPANSION
MESA, ARIZONA



10/21/2024 10:31:39