

# EXHIBIT A

## DESCRIPTION OF DRAINAGE EASEMENT

A PORTION OF SOUTHEAST QUARTER OF SECTION 6, TOWNSHIP 2 SOUTH, RANGE 7 EAST OF THE GILA AND SALT RIVER BASE AND MERIDIAN, MARICOPA COUNTY, ARIZONA BEING MORE PARTICULARLY DESCRIBED AS FOLLOWS:

COMMENCING AT A 3-INCH MARICOPA COUNTY DEPARTMENT OF TRANSPORTATION BRASS CAP IN HANDHOLE (0.50' DOWN) MARKING THE SOUTHEAST CORNER OF SAID SECTION 6 FROM WHICH A 3-INCH CITY OF MESA BRASS CAP IN HANDHOLE (0.30' DOWN) MARKING THE EAST QUARTER CORNER OF SAID SECTION 6 BEARS NORTH 00 DEGREES 44 MINUTES 53 SECONDS WEST 2663.86 FEET, SAID DESCRIBED LINE BEING THE BASIS OF BEARINGS FOR THIS DESCRIPTION;

THENCE NORTH 00 DEGREES 44 MINUTES 53 SECONDS WEST 1888.06 FEET ALONG THE EAST LINE OF SAID SOUTHEAST QUARTER TO THE SOUTHERLY PROLONGATION OF THE SOUTH LINE OF THAT PARCEL DESCRIBED IN SPECIAL WARRANTY DEED, RECORDED IN 2020-0759576, RECORDS OF MARICOPA COUNTY, ARIZONA;  
 THENCE NORTH 89 DEGREES 15 MINUTES 47 SECONDS WEST 65.02 FEET ALONG SAID SOUTH LINE TO THE WEST LINE OF A 32.00 FOOT DEDICATED RIGHT OF WAY RECORDED IN 2001-0963474, RECORDS OF MARICOPA COUNTY, ARIZONA;  
 THENCE NORTH 00 DEGREES 44 MINUTES 53 SECONDS WEST 522.86 FEET ALONG SAID WEST LINE TO THE POINT OF BEGINNING.

THENCE NORTH 89 DEGREES 10 MINUTES 45 SECONDS WEST 52.96 FEET;  
 THENCE NORTH 00 DEGREES 44 MINUTES 13 SECONDS EAST 108.10 FEET;  
 THENCE NORTH 48 DEGREES 36 MINUTES 55 SECONDS WEST 16.87 FEET;  
 THENCE NORTH 89 DEGREES 15 MINUTES 02 SECONDS WEST 677.64 FEET;  
 THENCE NORTH 00 DEGREES 44 MINUTES 13 SECONDS EAST 50.00 FEET;  
 THENCE NORTH 89 DEGREES 15 MINUTES 47 SECONDS WEST 284.17 FEET;  
 THENCE NORTH 00 DEGREES 44 MINUTES 13 SECONDS EAST 62.33 FEET;  
 THENCE NORTH 27 DEGREES 25 MINUTES 22 SECONDS EAST 80.78 FEET TO THE NORTH LINE OF THAT PARCEL DESCRIBED IN SPECIAL WARRANTY DEED, RECORDED IN 2020-0759576, RECORDS OF MARICOPA COUNTY, ARIZONA AND THE BEGINNING OF A NON-TANGENT CURVE CONCAVE NORTHEASTERLY HAVING A RADIUS OF 1497.00 FEET AND A CHORD BEARING OF SOUTH 74 DEGREES 55 MINUTES 47 SECONDS EAST 436.09 FEET;

CONTINUING ON PAGE 2 . . . .



*David S. Klein*

 <p><b>SUPERIOR</b> SURVEYING SERVICES, INC.</p>	2122 W. Lone Cactus Dr. Ste. 11, Phoenix, AZ 85027 623-869-0223 (office) 623-869-0726 (fax) <a href="http://www.superiorsurveying.com">www.superiorsurveying.com</a> <a href="mailto:info@superiorsurveying.com">info@superiorsurveying.com</a>
DATE: 12/11/2021	JOB NO.: 202103032-EX5

**EXHIBIT A**  
**DESCRIPTION OF DRAINAGE EASEMENT**

CONTINUED FROM PAGE 1 . . . .

THENCE EASTERLY ALONG SAID NORTH LINE AND THE ARC OF SAID CURVE THROUGH A CENTRAL OF 16 DEGREES 45 MINUTES 01 SECONDS, AN ARC LENGTH OF 437.65 FEET;  
THENCE SOUTH 06 DEGREES 41 MINUTES 40 SECONDS WEST 26.69 FEET CONTINUING ALONG THE NORTHERLY LINE OF SAID PARCEL;  
THENCE NORTH 89 DEGREES 15 MINUTES 47 SECONDS WEST 155.86 FEET;  
THENCE SOUTH 00 DEGREES 44 MINUTES 13 SECONDS WEST 34.00 FEET;  
THENCE SOUTH 89 DEGREES 15 MINUTES 47 SECONDS EAST 474.32 FEET;  
THENCE NORTH 00 DEGREES 44 MINUTES 13 SECONDS EAST 42.49 FEET TO THE SOUTH DEDICATED RIGHT OF WAY LINE RECORDED IN 2001-0963474, RECORDS OF MARICOPA COUNTY, ARIZONA  
THENCE SOUTH 89 DEGREES 16 MINUTES 22 SECONDS EAST 16.00 FEET ALONG SAID SOUTH LINE;  
THENCE SOUTH 00 DEGREES 44 MINUTES 13 SECONDS WEST 42.50 FEET;  
THENCE SOUTH 89 DEGREES 12 MINUTES 58 SECONDS EAST 177.25 FEET;  
THENCE SOUTH 48 DEGREES 36 MINUTES 55 SECONDS EAST 30.14 FEET;  
THENCE SOUTH 00 DEGREES 44 MINUTES 13 SECONDS WEST 99.48 FEET;  
THENCE SOUTH 89 DEGREES 10 MINUTES 45 SECONDS EAST 36.55 FEET TO THE WEST LINE OF A 32.00 FOOT DEDICATED RIGHT OF WAY RECORDED IN 2001-0963474, RECORDS OF MARICOPA COUNTY, ARIZONA;  
THENCE SOUTH 00 DEGREES 44 MINUTES 53 SECONDS EAST 16.01 FEET ALONG SAID WEST LINE TO THE POINT OF BEGINNING.

COMPRISING OF 47,813 SQ. FEET OR 1.098 ACRES, MORE OR LESS

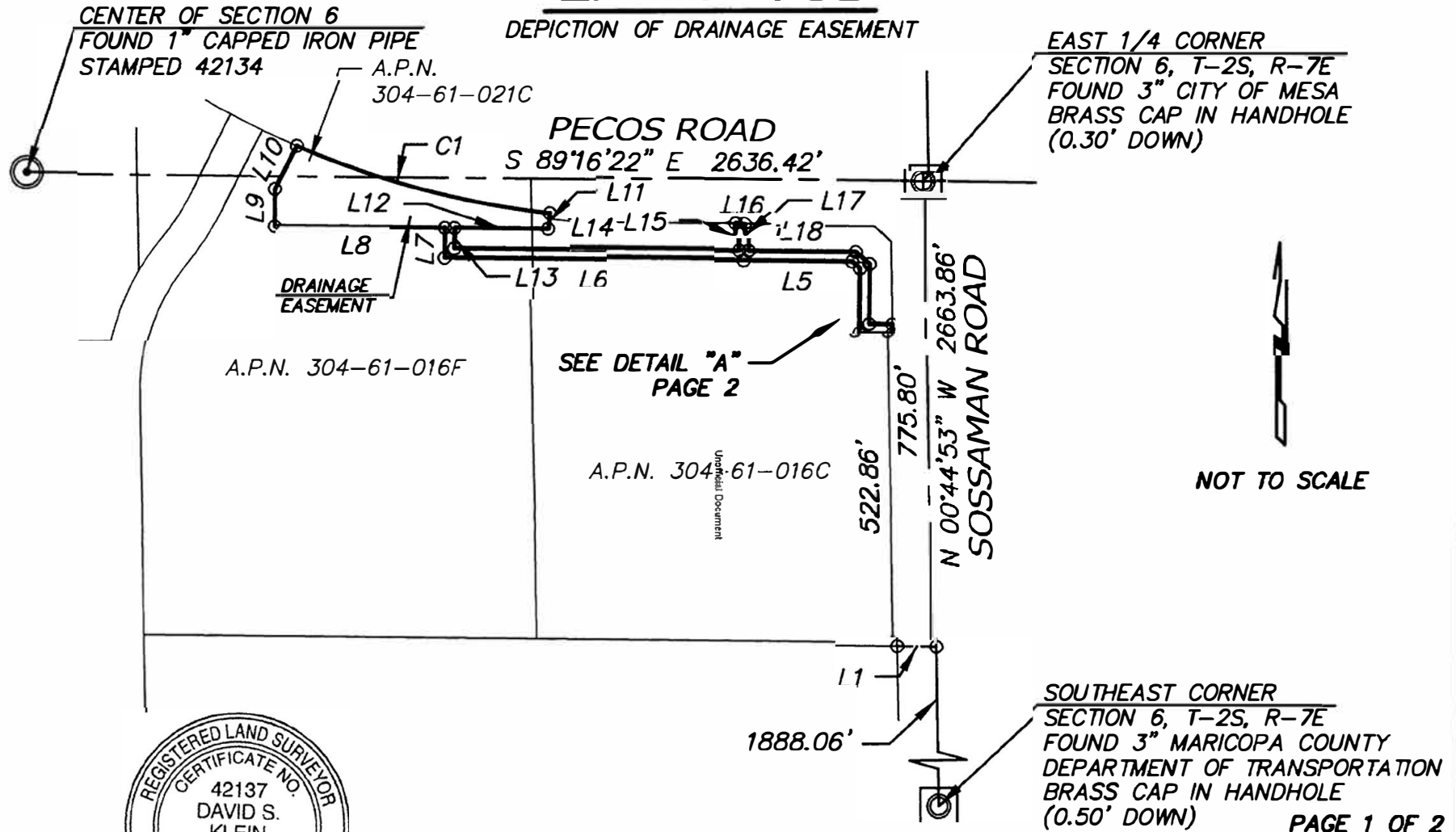


*David S. Klein*

 <b>SUPERIOR</b> SURVEYING SERVICES, INC.	2122 W. Lone Cactus Dr. Ste. 11, Phoenix, AZ 85027 623-869-0223 (office) 623-869-0726 (fax) www.superiorsurveying.com info@superiorsurveying.com
	DATE: 12/11/2021

# EXHIBIT A

## DEPICTION OF DRAINAGE EASEMENT



*David S. Klein*

 <p><b>SUPERIOR</b> SURVEYING SERVICES, INC.</p>	2122 W. Lone Cactus Dr., Ste. 11 Phoenix, AZ 85027 623-869-0223 (office) 623-869-0726 (fax) www.superiorsurveying.com info@superiorsurveying.com
	DATE: 12/11/2021

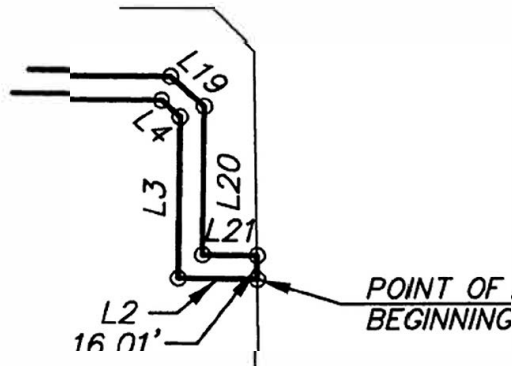
# EXHIBIT A

## DEPICTION OF DRAINAGE EASEMENT

LINE TABLE		
LINE	BEARING	DISTANCE
L1	N 89°15'47" W	65.02'
L2	N 89°10'45" W	52.96'
L3	N 00°44'13" E	108.10'
L4	N 48°36'55" W	16.87'
L5	N 89°12'58" W	179.32'
L6	N 89°15'47" W	498.31'
L7	N 00°44'13" E	50.00'
L8	N 89°15'47" W	284.17'
L9	N 00°44'13" E	62.33'
L10	N 27°25'22" E	80.78'

LINE TABLE		
LINE	BEARING	DISTANCE
L11	S 06°41'40" W	26.69'
L12	N 89°15'47" W	155.86'
L13	S 00°44'13" W	34.00'
L14	S 89°15'47" E	474.32'
L15	N 00°44'13" E	42.49'
L16	S 89°16'22" E	16.00'
L17	S 00°44'13" W	42.50'
L18	S 89°12'58" E	177.25'
L19	S 48°36'55" E	30.14'
L20	S 00°44'13" W	99.48'
L21	S 89°10'45" E	36.55'

CURVE TABLE					
CURVE	RADIUS	LENGTH	DELTA	CHORD BEAR.	CHORD DIST.
C1	1497.00'	437.65'	16°45'01"	S 74°55'47" E	436.09'



**DETAIL "A"**  
NOT TO SCALE



*David S. Klein*

 <p><b>SUPERIOR</b> SURVEYING SERVICES, INC.</p>	<p>2122 W. Lone Cactus Dr. Ste. 11, Phoenix, AZ 85027 623-869-0223 (office) 623-869-0726 (fax) www.superiorsurveying.com info@superiorsurveying.com</p>
DATE: 12/11/2021	JOB NO.: 202103032-EX5