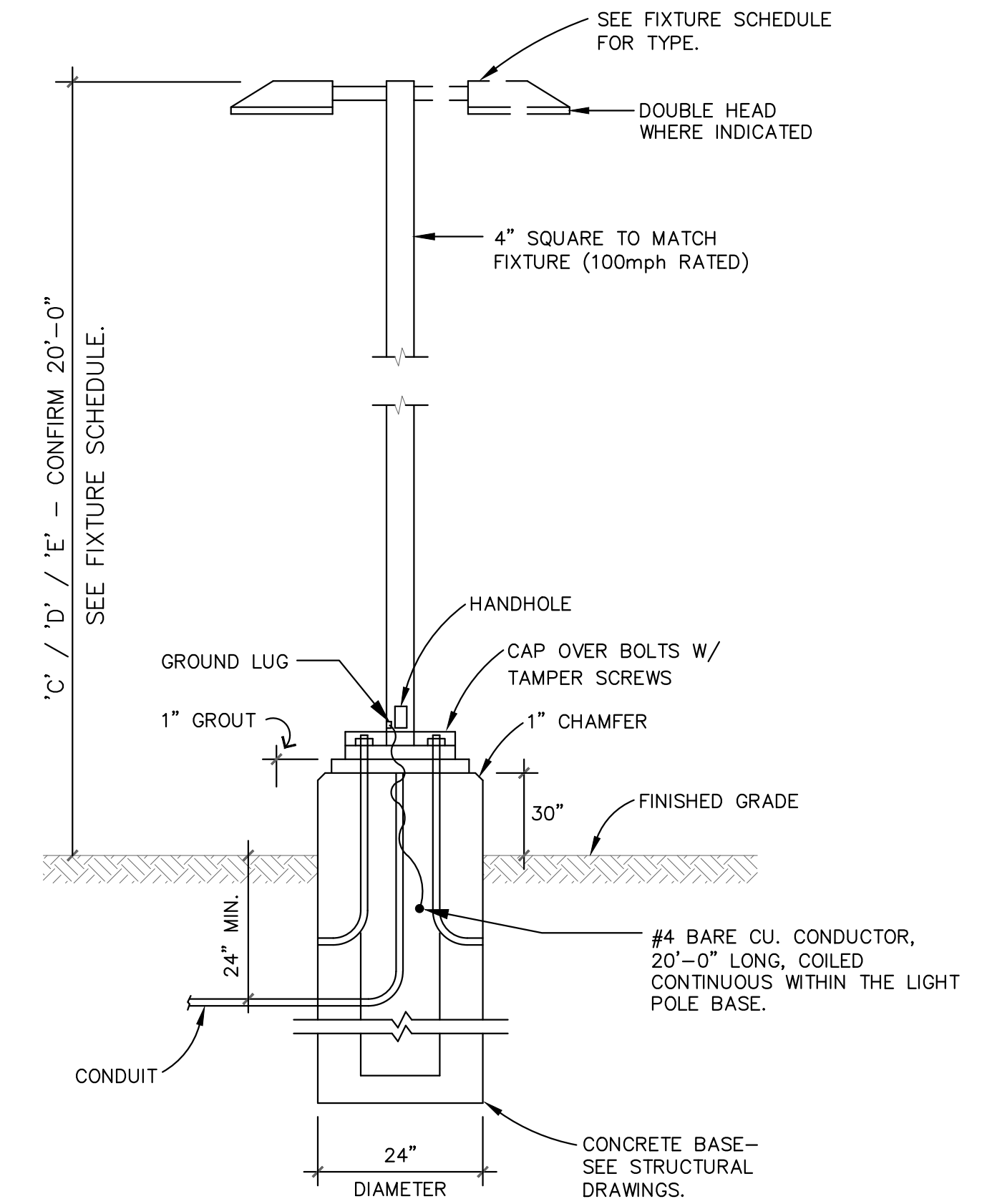


1 ELECTRICAL PHOTOMETRIC SITE PLAN
SCALE: 1"=30'-0"



NEW LIGHT POLE 'C' / 'D' / 'E'

N.T.S.

NOTE: CONTRACTOR SHALL PROVIDE NEW POLE BASES WHERE INDICATED ON PLANS. LIGHTING FIXTURE POLE DETAILS AND DESCRIPTIONS ARE FOR ELECTRICAL REFERENCES ONLY. THE POLE AND BASE SHALL BE DESIGNED BY A STRUCTURAL ENGINEER REGISTERED IN THE STATE OF ARIZONA AND BE STAMPED AND SEALED ACCORDINGLY.

Symbol	Label	Quantity	Manufacturer	Catalog Number	Description	Number Lamps	Lumens Per Lamp	Light Loss Factor	Wattage
□	A	32	CREE	CPY250-C-13L-57K7-F-UL-DM-WH-HZ	CPY250 Canopy Luminaire, 13L Lumen Package, 5700K, 70 CRI, Flat Lens, 120-277V	1	14015	0.91	86.4
□	B	6	CREE	CPY250-C-4L-57K7-F-UL-DM-BZ-HZ	CONFIGURED FROM CPY250 Canopy Luminaire, 13L Lumen Package, 5700K, 70 CRI, Flat Lens, 120-277V	1	4890	0.91	31
□	C	1	CREE	XSPLG-D-HT-3ME- BLS 24L-57K7-UL-BZ-N	CONFIGURED FROM XSPLG LED Street/Area Luminaire - Large, 24L Lumen Package, Type III Medium Optic Distribution w/ Backlight Shield, 40k CCT, 70 CRI	1	16900	0.91	184
□	D	1	CREE	XSPLG-D-HT-4ME- BLS 24L-57K7-UL-BZ-N	CONFIGURED FROM XSPLG LED Street/Area Luminaire - Large, 24L Lumen Package, Type IV Medium Optic Distribution w/ Backlight Shield, 40k CCT, 70 CRI	1	17400	0.91	184
□	E	4	CREE	XSPLG-D-HT-6SH-24L-57K7-UL-BZ-N	CONFIGURED FROM XSPLG LED Street/Area Luminaire - Large, 24L Lumen Package, Type V Short Optic Distribution, 30k CCT, 70 CRI	1	22801	0.91	184
○	F	9	ALW	CRM6/WL 20 83 40 80 NN N V10 L SB UP	CORE 6 WALL MOUNT WITH UPLIGHT	1	2161	0.91	15.9

Description	Symbol	Avg	Max	Min	Max/Min	Avg/Min
LIGHT SPILL AT PROPERTY LINE	✖	0.1 fc	0.3 fc	0.0 fc	N/A	N/A
SITE LIGHTING	+	8.8 fc	54.3 fc	0.0 fc	N/A	N/A

CPY Series - Version C
CPY250® LED Canopy/Soffit Luminaire

A-B

Rev. Date: V105/18/2023

Product Description
The CPY250® LED Canopy/Soffit Luminaire has an extremely thin profile constructed of rugged cast aluminum. It can be surface mounted easily from below the canopy deck and can be pendant mounted. Direct imaging of the LEDs is eliminated with a highly efficient patterned flat or 9.1° (23mm) drop glass lens.

Applications: Petroleum canopies, CNG fueling stations, soffits

Performance Summary
Assembled in the USA by Cree Lighting from US and imported parts

Initial Delivered Lumens: Up to 21,000

Efficacy: Up to 165 LPW

CRi: Minimum 70 CRI (40K, 50K, 57K), 80 CRI (30K), 90 CRI (40K, 50K)

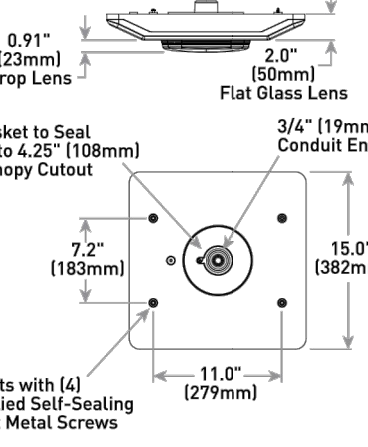
CCT: 3000K, 4000K, 5000K, 5700K

Limited Warranty*: 10 years for luminaire/10 years for Colorfast DeltaGuard® finish/5 years for BML sensor/up to 5 years for Synapse® accessories/1 year for field-installed accessories

IP66 Rated (select models only)

Class I, Division 2 Hazardous Location for select models

*See <https://www.cree.com/usa/website> for warranty terms. For Synapse accessories, consult Synapse spec sheets for details on warranty terms.



Accessories
Field-Installed: Direct Mount Luminaire, Canopy Upgrade Kits (18 ga. steel, except where noted), XM-BKCM+/-, XM-BKCN, XM-BKCP+/-, XM-BKCD+/-, XM-BKCN+, XM-BKCS+/-, Direct Mount Junction Box/Stem Kit, Direct Mount Beauty Plates.

Pendant Mount Luminaire: XM-PS180PT+/-, XM-PS290PT+/-, XM-BKCM+, XM-BKCN+, XM-BKCP+/-, XM-BKCD+/-, XM-BKCN+, XM-BKCS+/-, Synapse® SimplySnap 10V Interface, Direct Mount Beauty Plates.

Weight: 12.5 lbs. (5.7kg). Refer to Page 4 for additional mounts.

Ordering Information
Example: CPY250-C-12L-37K-0-UL-DM-SV

Product	Version	Lumen Package**	CCT/CRi	Optic	Voltage	Mounting	Color Options	Controls	Options
CPY250	C								
CPY250	C	2L 2,000 Lumens	300K	0°	UL	DM	BK	None	10KY 100V/18A Surge Suppression
		4L 4,000 Lumens	400K	9.1° (23mm)	Universal 120V	DM	BK	None	None
		8L 8,000 Lumens	400K	Flat Lens	Universal 120V	DM	BK	None	None
		12L 12,000 Lumens	500K	9.1° (23mm)	Universal 120V	DM	BK	None	None
		21L 21,000 Lumens	570K	9.1° (23mm)	Universal 120V	DM	BK	None	None

CREE LIGHTING

US: creeighting.com T (800) 234-6800
Canada: creeighting-canada.com T (800) 473-1234

XSP Series
XSPMD LED Street/Area Luminaire - Medium

C-D-E

Rev. Date: V9.02/20/2023

Product Description
Designed from the ground up as a totally optimized LED street and area lighting system, the XSP Series delivers incredible efficiency without sacrificing application performance. Beyond substantial energy savings and reduced maintenance, Cree Lighting achieves greater optical control with our NanoOptic® Precision Delivery Grid™ optic when compared to traditional cobra head luminaires. The XSP Series is the better alternative for traditional street and area lighting with quick payback and improved performance.

Applications: Collector roads, major roads, parking lots, and general area spaces

Performance Summary
NanoOptic® Precision Delivery Grid™ optic
Assembled in the USA by Cree Lighting from US and imported parts

Initial Delivered Lumens: Up to 11,875

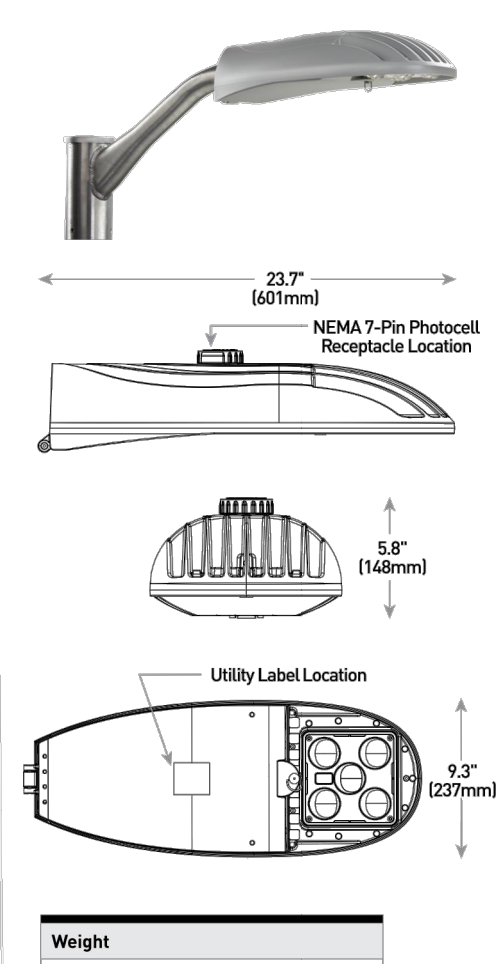
Efficacy: Up to 125 LPW

CRi: Minimum 70 CRI

CCT: 3000K, 4000K, 5000K, 5700K

Limited Warranty*: 10 years on luminaire; 10 years on Colorfast DeltaGuard® finish; up to 5 years for Synapse® accessories; 1 year on luminaire accessories

*See <https://www.cree.com/usa/website> for warranty terms. For Synapse accessories, consult Synapse spec sheets for details on warranty terms.



Accessories
Field-Installed: Backlight Control Shield, Birx Spikes, Shunting Cap.

Ordering Information
Example: XSPMD-D-HY-2L-D-12L-300K-UL-SV-N

Product	Version	Mounting*	Optic	Lumen Package**	CCT/CRi	Voltage	Color Options	Utility Label/Receptacle	Options
XSPMD	D	HT		12L	300K	UL	BK	N	20KY 100V/18A Surge Suppression
		Horizontal		12,000 Lumens	300K, 70 CRI	Universal 120-277V	Black	None	None
		HT	Asymmetric 2L+*	300K	400K	500K	570K	BK	None
		HT	Asymmetric 2L+*	300K	400K	500K	570K	BK	None

CREE LIGHTING

US: creeighting.com T (800) 234-6800
Canada: creeighting-canada.com T (800) 473-1234

CORE/WL 6
ROUND, WET LOCATION, DIRECT ILLUMINATION

F



SPECIFICATIONS
PROFILE: Round
SIZE: 6" diameter
LED OUTPUT: 700lm - 4,000lm
CCT/CRi: 2700K/3000K/3500K/4000K + 83 CRI or 98 CRI

DIMMING/ DRIVER
Internal, Canopy, and Remote Driver: 0-10V, Phase, DALI, DMX, endLED, Lutron8, Dimming to 0% for select models.

POWER
5.6W to 39.1W per fixture

INPUT
100VAC to 277VAC
Phase dimmable versions are 120VAC only.

OPTICS
10°, 80° distribution spun aluminum reflectors. Field replaceable without tools.

FINISHES
Powder coat - TGIC polyester for exterior and interior use

MATERIAL
Extruded aluminum with stainless steel hardware

ENVIRONMENT
Wet location, IP66 rated LED module

WELL
For UGR values and recommended options that contribute to meeting the WELL Building Standard™ see WELL addendum.

*Safety and Performance information available on last page. Output and other specifications available on page 6.

CORE/WL 6 - SPECIFICATIONS
ROUND, WET LOCATION, DIRECT ILLUMINATION
ALWUSA.COM

PRODUCT SUBMITTAL QUICK WORKSHEET

EXAMPLE: CPY6/WL-L-20982740HL-RV10-L-BK/BK/12-AC-EMB

1. MODEL (CHOOSE 1)	2. OUTPUT (CHOOSE 1)	3. CRI (CHOOSE 1)	4. CCT (CHOOSE 1)
<input type="checkbox"/> CPY6/WL Pendant	<input type="checkbox"/> 87 700lm	<input type="checkbox"/> 83 83	<input type="checkbox"/> 87 2700K
<input type="checkbox"/> CPY6/WL Surface Mount	<input type="checkbox"/> 30 950lm	<input type="checkbox"/> 86 86	<input type="checkbox"/> 80 3000K
<input type="checkbox"/> CPY6/WL Sconce	<input type="checkbox"/> 13 1300lm	<input type="checkbox"/> 88 88	<input type="checkbox"/> 88 3500K
<input type="checkbox"/> CPY6/WL Yoke	<input type="checkbox"/> 38 2000lm	<input type="checkbox"/> 90 3000lm	<input type="checkbox"/> 40 4000K
*Available for 83CR only			

5. REFLECTOR (CHOOSE 1)	6. OPTICAL ACCESSORY (CHOOSE 1)	7. DRIVER LOCATION (CHOOSE 1)	8. DIMMING (CHOOSE 1)
<input type="checkbox"/> 10° 10° (3.3 Beam)	<input type="checkbox"/> BL None	<input type="checkbox"/> INT Internal	<input type="checkbox"/> 0 0 (0-10V, dim to 10%)
<input type="checkbox"/> 20° 20° (6.4 Beam)	<input type="checkbox"/> BL Honeycomb Louver	<input type="checkbox"/> R Remote	<input type="checkbox"/> P10 Phase, dim to 10%
<input type="checkbox"/> 40° 40° (12.8 Beam)	<input type="checkbox"/> DL Diffusion Lens	<input type="checkbox"/> D Deep Canopy	<input type="checkbox"/> ELDPV06 (max. dim. to 0%, dim to 0%)
<input type="checkbox"/> 60° 60° (19.2 Beam)	<input type="checkbox"/> L8 Linear Sprocked Lens (60° x 1")	<input type="checkbox"/> W Wall Wash Lens (shifts beam 20° from vertical)	<input type="checkbox"/> L8E Linear Sprocked (0.25% dim to 1%)
<input type="checkbox"/> 80° 80° (25.6 Beam)	<input type="checkbox"/> WW Wall Wash Lens (shifts beam 20° from vertical)	<input type="checkbox"/> FW Forward Throw	<input type="checkbox"/> L8EA Linear Sprocked, Phase dim, 2 wire to 1%

9. SHELL HEIGHT (CHOOSE 1)	10. SHELL COLOR (CHOOSE 1)	11. SUSPENSION (CHOOSE 1)	12. SUSPENSION OPTIONS (OPTIONAL CHOOSE 1)
<input type="checkbox"/> L 15.4" Shell	<input type="checkbox"/> SW Silver White	<input type="checkbox"/> P Standard Canopy	<input type="checkbox"/> P10 Phase dimming
<input type="checkbox"/> E 8.1" Shell	<input type="checkbox"/> SB Satin Black	<input type="checkbox"/> R Rigid Stem	<input type="checkbox"/> S100 Spot dimming
<input type="checkbox"/> F 6.1" Shell	<input type="checkbox"/> BB Black Bronze	<input type="checkbox"/> Y Yoke	<input type="checkbox"/> Y100 Yoke dimming
<input type="checkbox"/> 6.1" Shell	<input type="checkbox"/> BR Bronze	<input type="checkbox"/> Y100 Yoke dimming	<input type="checkbox"/> Y200 Yoke dimming

13. EMERGENCY OPTIONS (OPTIONAL)
 EMB* Emergency Battery

*Emergency options only available with 0-10V driver options. Third party inverter system recommended for other driver options. Refer to CRI/CRi section concerning all applicable restrictions. *Available for remote driver only.

CORE/WL 6 - SPECIFICATIONS
ROUND, WET LOCATION, DIRECT ILLUMINATION
ALWUSA.COM



7 ELEVEN - POWER & ELLIOTT
SEC OF POWER ROAD AND ELLIOT, MESA, AZ
MESA, ARIZONA
DATE: 01-29-2024 (PRELIMINARY)

E0.2 ELECTRICAL EXTERIOR LIGHTING CUT SHEETS & IECC

Project Number: 24073 | Project Manager: HK
7328 E Stetson Dr., Scottsdale, AZ 85251
P: 480.626.7072 | ardebilieng.com

© 2023 R K A A ARCHITECTS, INC. ALL RIGHTS RESERVED. THIS DRAWING IS AN INSTRUMENT OF SERVICE. IT IS THE PROPERTY OF R K A A ARCHITECTS, INC. AND MAY NOT BE REPRODUCED, COPIED, OR DISCLOSED WITHOUT WRITTEN PERMISSION OF THE ARCHITECT.