

DATE: _____ LOCATION: _____
 TYPE: _____ PROJECT: _____
 CATALOG #: _____

RATIO Series

AREA/SITE LIGHTER

FEATURES

- Low profile LED area/site luminaire with a variety of IES distributions for lighting applications such as retail, commercial and campus parking lots
- Featuring Micro Strike Optics which maximizes target zone illumination with minimal losses at the house-side, reducing light trespass issues
- Visual comfort standard
- Compact and lightweight design with low EPA
- 3G rated for high vibration applications including bridges and overpasses
- Control options including photo control, occupancy sensing, NX Distributed Intelligence™ and 7-Pin with networked controls
- Best in class surge protection available



CONTROL TECHNOLOGY



SPECIFICATIONS

CONSTRUCTION

- Rectilinear form mimics the traditional shoebox form factor keeping a similar but updated style and appearance, ideal for retrofit applications
- Die-cast housing with hidden vertical heat fins that are optimal for heat dissipation while keeping a clean smooth outer surface
- Corrosion resistant, die-cast aluminum housing with powder coat paint finish

OPTICS

- Entire optical aperture illuminates to create a larger luminous surface area resulting in a low glare appearance without sacrificing optical performance
- 80, 160, 320 or 480 midpower LEDs
- 3000K, 4000K or 5000K (70 CRI) CCT
- Zero uplight at 0 degrees of tilt
- Field rotatable optics

INSTALLATION

- Standard square arm mount, compatible with B3 drill pattern
- Optional universal mounting block for ease of installation during retrofit applications. Available as an option or accessory for square and round poles.
- Knuckle arm fitter option available for 2-3/8" OD tenon. Max tilt of 60 degrees with 4 degree adjustable increments. (Restrictions apply for 7-pin options)

ELECTRICAL

- Universal 120-277 VAC or 347-480 VAC input voltage, 50/60 Hz
- Ambient operating temperature -40°C to 40°C
- Drivers have greater than 90% power factor and less than 20% THD
- LED drivers have output power over-voltage, over-current protection and short circuit protection with auto recovery
- Field replaceable surge protection device provides 20kA protection meeting ANSI/IEEE C62.41.2 Category C High and Surge Location Category C3; Automatically takes fixture off-line for protection when device is compromised

CONTROLS

- Photo control, occupancy sensor and wireless available for complete on/off and dimming control
- 7-pin ANSI C136.41-2013 photocontrol receptacle option available for twist lock photocontrols or wireless control modules (control accessories sold separately)
- 0-10V dimming leads available for use with control devices (provided by others, must specify lead length)
- SiteSync™ wireless control system is available via 7-pin See ordering information and details at: www.hubbellighting.com/sitesync
- NX Distributed Intelligence™ available with in fixture wireless control module, features dimming and occupancy sensor



RELATED PRODUCTS

- ∅ [Airo](#) ∅ [Cimarron LED](#) ∅ [Ratio Family](#)

CONTROLS (CONT'D)

- wiSCAPE® available with in fixture wireless control module, features dimming and occupancy sensor via 7-pin

CERTIFICATIONS

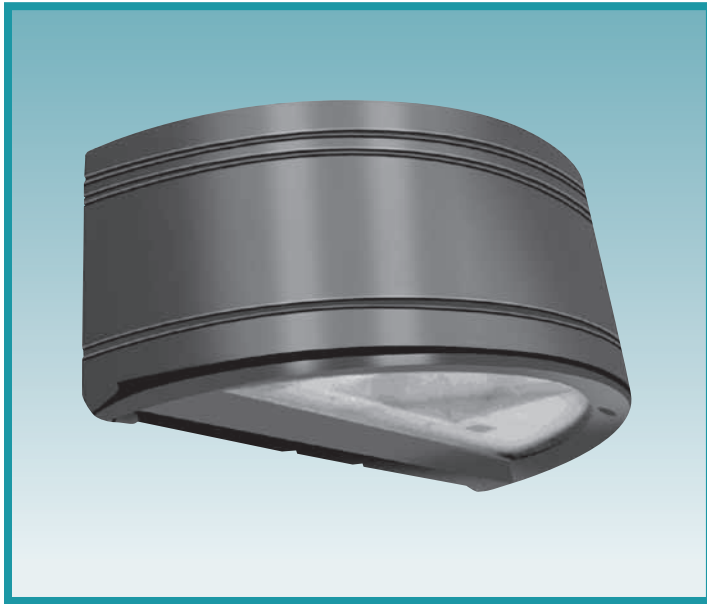
- DLC® (DesignLights Consortium Qualified), with some Premium Qualified configurations. Please refer to the DLC website for specific product qualifications at www.designlights.org
- Listed to UL1598 and CSA C22.2#250.0-24 for wet locations and 40°C ambient temperatures
- 3G rated for ANSI C136.31 high vibration applications
- Fixture is IP66 rated
- Meets IDA recommendations using 3K CCT configuration at 0 degrees of tilt

WARRANTY

- 5 year limited warranty
- See [HLI Standard Warranty](#) for additional information

| KEY DATA | |
|--------------------------------|--------------------|
| Lumen Range | 3,000–48,000 |
| Wattage Range | 25–340 |
| Efficacy Range (LPW) | 118–155 |
| Fixture Projected Life (Hours) | L70>60K |
| Weights lbs. (kg) | 13.5–24 (6.1–10.9) |

RADIUS WALL SCONCE



The RWSC Series radius wall sconce offers maximum versatility with multiple light sources and finishes. The available combination of uplight/downlight washes the building facade while the radial soft form housing will complement similar architectural design elements.

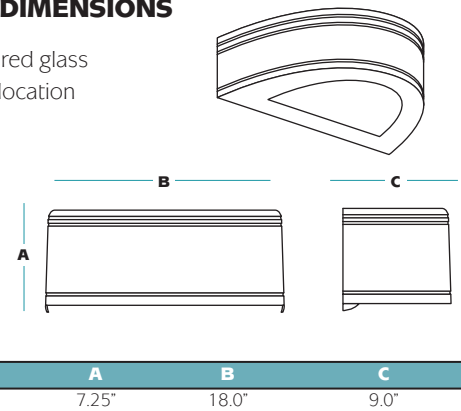


Fixture Specifications

FEATURES

- Durable cast aluminum housing
- Available in various lighting distributions for maximum versatility
- Integrated design eliminates high angle brightness
- Luminaire finished in weatherproof powder-coat paint
- Completely sealed, flat tempered glass lenses suitable for use in wet location
- Ships complete with lamp
- Downlight only, full cut-off
- Dark Sky compliant

DIMENSIONS



ORDERING INFORMATION

SAMPLE CATALOG NUMBER

RWSC | **XXXXXX** | **XX** | **XX** | **XXX**
 Series | Wattage/Source | Distribution | Finish | Voltage

| SERIES | |
|-----------------------------|------------------------------------|
| RWSC | Radius Wall Sconce |
| WATTAGE/SOURCE ¹ | |
| 70PMH | 70 watt pulse start metal halide |
| 100PMH | 100 watt pulse start metal halide |
| 150PMH | 150 watt pulse start metal halide |
| 70HPS | 70 watt high pressure sodium |
| 100HPS | 100 watt high pressure sodium |
| 150HPS | 150 watt high pressure sodium |
| 26QF | 26 watt quad tube fluorescent |
| 32TRF | 32 watt triple tube fluorescent |
| 42TRF | 42 watt triple tube fluorescent |
| 226QF | 2x26 watt quad tube fluorescent |
| 232TRF | 2x32 watt triple tube fluorescent |
| 242TRF | 2x42 watt triple tube fluorescent |
| 30LED | 30 watt LED ³ down only |
| 50LED | 50 watt LED up/down |

| DISTRIBUTION | |
|--------------|--|
| UD | Up/Downlight |
| WD | Downlight only (wide distribution)- standard |
| FT | Downlight only (forward throw) |

| FINISH ² | |
|---------------------|-----------------|
| DB | Dark Bronze |
| BK | Black |
| WH | White |
| PS | Platinum Silver |

¹ Consult factory for other lamp wattage and sources.
² Other finishes available. Consult factory.
³ Available with WD distribution only.
⁴ Not for use with LED source.

| VOLTAGE | |
|------------|-----------|
| 120 | 120 volt |
| 277 | 277 volt |
| MT | Multi-Tap |

| OPTIONS | |
|--------------------------|--|
| QSL | Quartz re-strike with lamp |
| F | Single fusing |
| FF | Double fusing |
| EM12⁴ | 1 MR11/MR16 two pin socket for 12v power (by others) 35w max. 35w MR11 lamp included. |
| 2EM12⁴ | 2 MR11/MR16 two pin sockets for 12v power (by others) 35w max. 35w MR11 lamp included. |

| ACCESSORIES | |
|-------------|---|
| EM | Remote emergency ballast (fluorescent only) |



A HUBBELL LIGHTING, INC. COMPANY

Performance Designed Lighting Products

www.securitylighting.com

1085 Johnson Drive • Buffalo Grove, IL 60089 • TOLL-FREE: 800-544-4848 • PHONE: 847-279-0627 • FAX: 847-279-0642

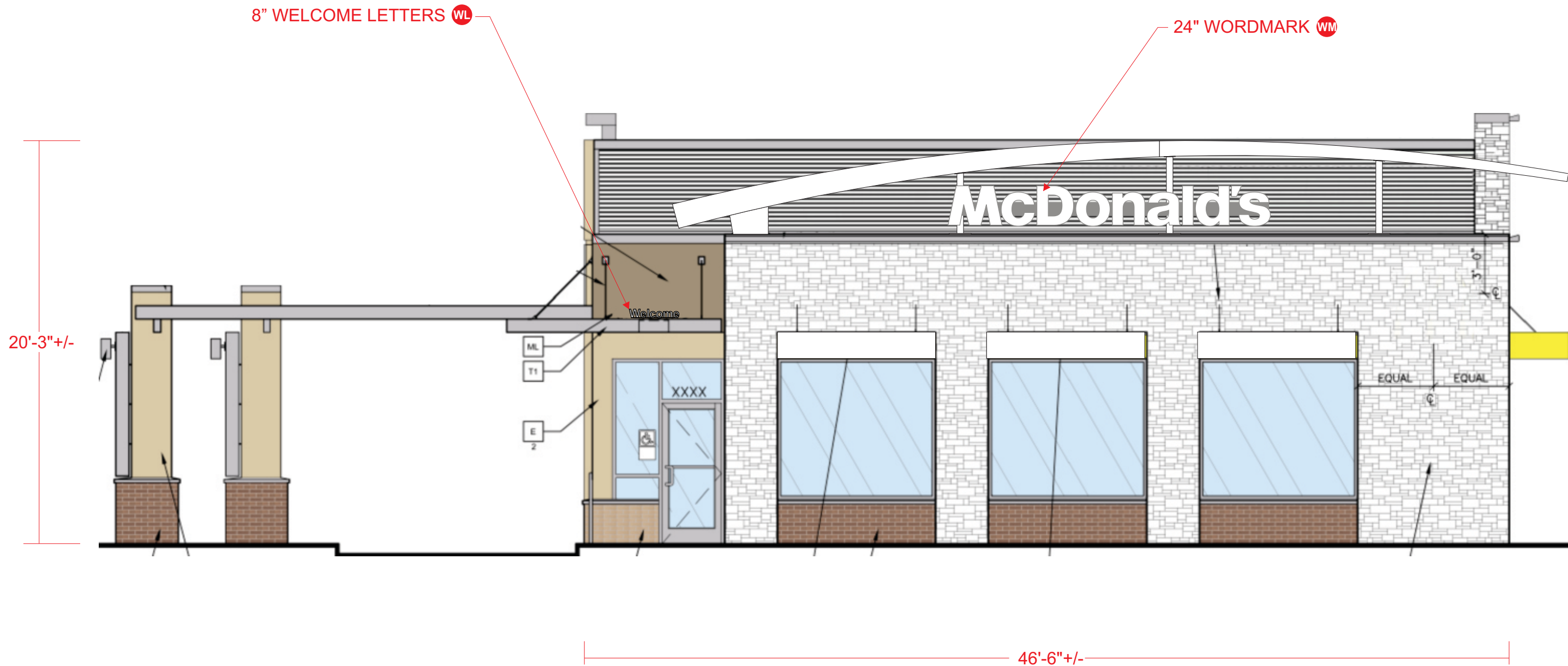
BOXED SQUARE FOOTAGE OF ELEVATIONS (+/-): 941.63

BOXED SQUARE FOOTAGE OF BUILDING SIGNS: 24" WORDMARK: 19.53

8" WELCOME LETTERS: 2.54

TOTAL BOXED SQUARE FOOTAGE OF BUILDING SIGNS: 22.07

FRONT ELEVATION



SCALE: 3/16" = 1'-0"

NOTE: Elevation drawings are for customer approval only, drawings are not to be used as any installation guide, all dimensions must be verified before installation.

| | | | | | |
|--------------------------------|--|------------------------------------|------------------|---|--|
| Customer: McDONALD'S | Date: 05/28/15 | Prepared By: ISU/PKE/PKE | Eng: X | <p><small>Note: Color output may not be exact when viewing or printing this drawing. All colors used are PMS or the closest CMYK equivalent. If these colors are incorrect, please provide the correct PMS match and a revision to this drawing will be made.</small></p> | <p>persóna SIGNS LIGHTING IMAGE</p> <p>DISTRIBUTED BY SIGN UP COMPANY 700 21st Street Southwest PO Box 210 Watertown, SD 57201-0210 1.800.843.9888 • www.personasigns.com</p> |
| Location: MESA, AZ | File Name: 123431 - R7 - 1948 E MCKELLIPS, MESA, AZ - PROGRAM BOOK | | | | |

BOXED SQUARE FOOTAGE OF ELEVATION (+/-): 941.63

BOXED SQUARE FOOTAGE OF BUILDING SIGNS: 42" WALL ARCH: 14.00
TOTAL BOXED SQUARE FOOTAGE OF BUILDING SIGNS: 14.00

REAR ELEVATION



SCALE: 3/16" = 1'-0"

NOTE: Elevation drawings are for customer approval only, drawings are not to be used as any installation guide, all dimensions must be verified before installation.

| | | | | |
|--------------------------------|--|------------------------------------|------------------|--|
| Customer: McDONALD'S | Date: 05/28/15 | Prepared By: ISU/PKE/PKE | Eng: X | <small>Note: Color output may not be exact when viewing or printing this drawing. All colors used are PMS or the closest CMYK equivalent. If these colors are incorrect, please provide the correct PMS match and a revision to this drawing will be made.</small> |
| Location: MESA, AZ | File Name: 123431 - R7 - 1948 E MCKELLIPS, MESA, AZ - PROGRAM BOOK | | | |

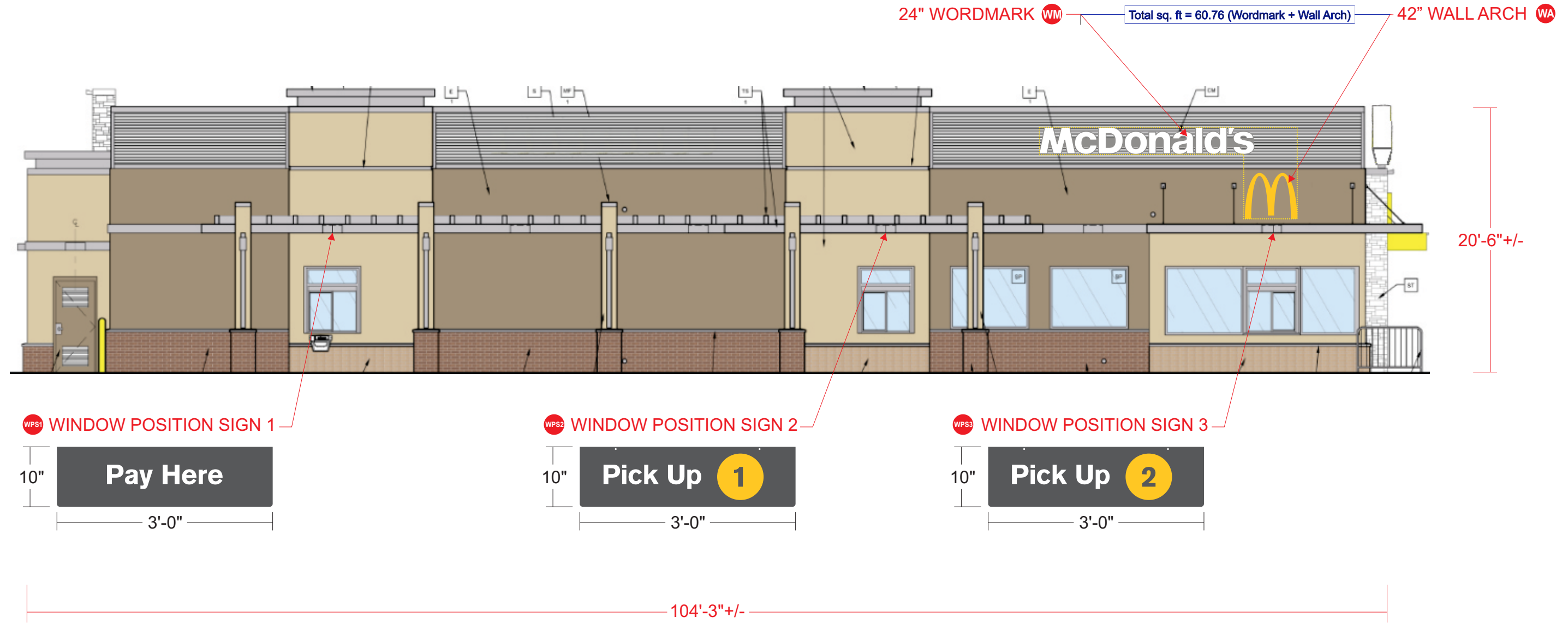


DISTRIBUTED BY SIGN UP COMPANY
 700 21st Street Southwest
 PO Box 210
 Watertown, SD 57201-0210
 1.800.843.9888 • www.personasigns.com

BOXED SQUARE FOOTAGE OF ELEVATION (+/-): 2137.13


BOXED SQUARE FOOTAGE OF BUILDING SIGNS: 24" WORDMARK + 42" WALL ARCH: 60.76
DRIVE THRU SIGNS: PAY HERE: 2.50
PICK UP 1: 2.50
PICK UP 2: 2.50
TOTAL BOXED SQUARE FOOTAGE OF BUILDING SIGNS: 68.26

DRIVE-THRU ELEVATION



SCALE: 1/8" = 1'-0"

NOTE: Elevation drawings are for customer approval only, drawings are not to be used as any installation guide, all dimensions must be verified before installation.

| | | | | | |
|--------------------------------|--|------------------------------------|------------------|---|--|
| Customer: McDONALD'S | Date: 05/28/15 | Prepared By: ISU/PKE/PKE | Eng: X | Note: Color output may not be exact when viewing or printing this drawing. All colors used are PMS or the closest CMYK equivalent. If these colors are incorrect, please provide the correct PMS match and a revision to this drawing will be made. | DISTRIBUTED BY SIGN UP COMPANY 700 21st Street Southwest PO Box 210 Watertown, SD 57201-0210 1.800.843.9888 • www.personasigns.com |
| Location: MESA, AZ | File Name: 123431 - R7 - 1948 E MCKELLIPS, MESA, AZ - PROGRAM BOOK | | |  SIGNS LIGHTING IMAGE | |

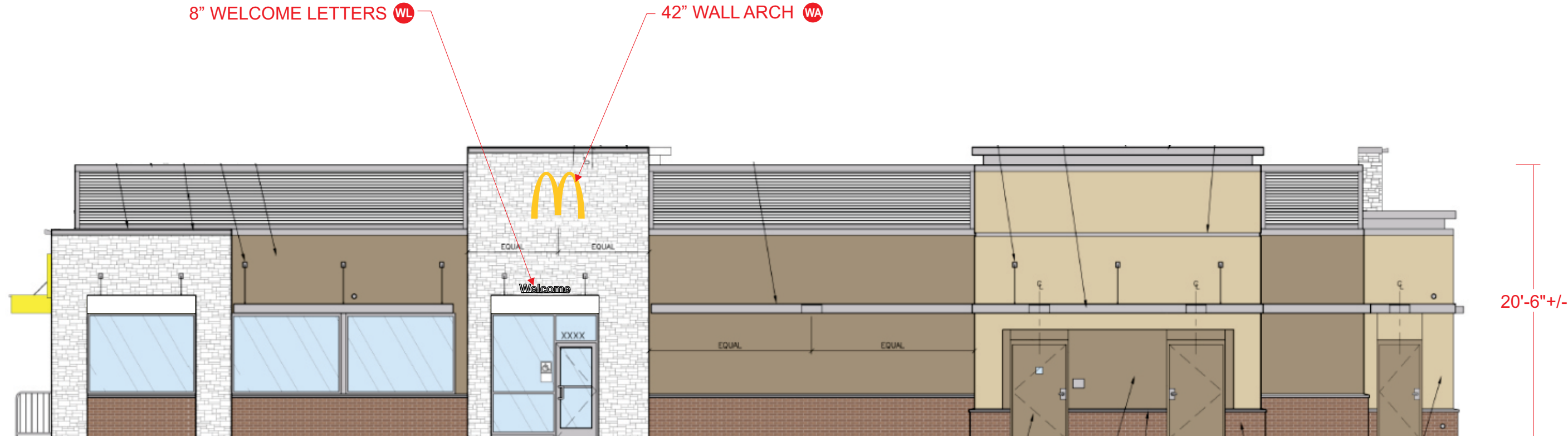
BOXED SQUARE FOOTAGE OF BUILDING (+/-): 2137.13

BOXED SQUARE FOOTAGE OF BUILDING SIGNS: 42" WALL ARCH: 14.00
8" WELCOME LETTERS: 2.54
TOTAL BOXED SQUARE FOOTAGE OF BUILDING SIGNS: 16.54

NON DRIVE-THRU ELEVATION

8" WELCOME LETTERS WL

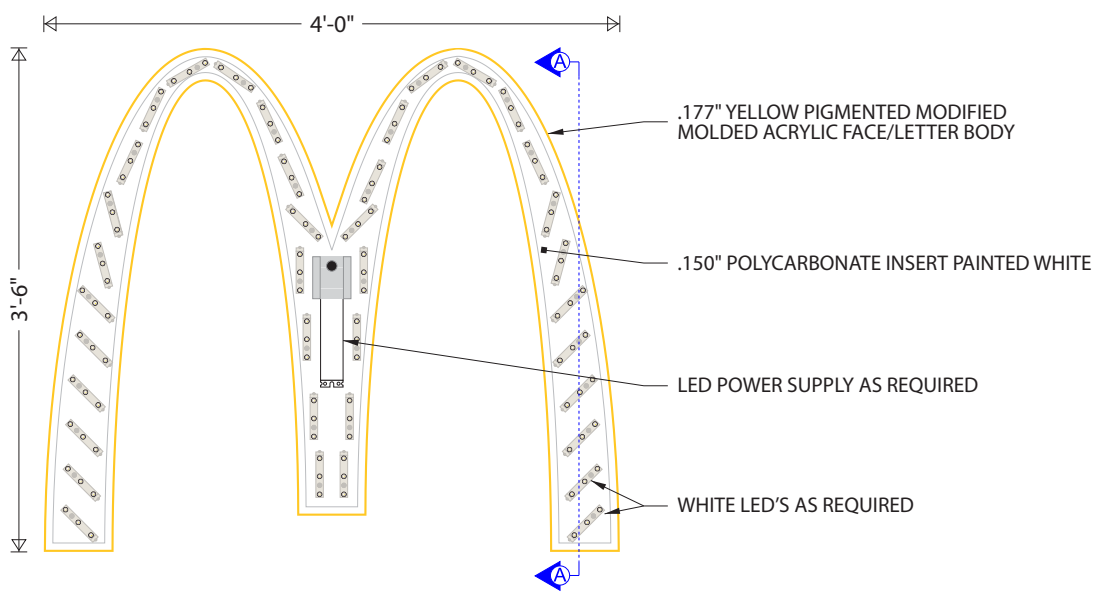
42" WALL ARCH WA



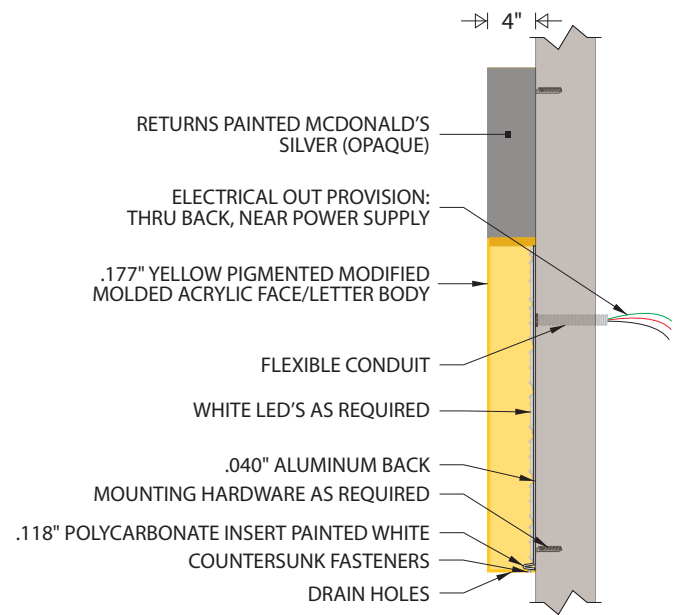
SCALE: 1/8" = 1'-0"

NOTE: Elevation drawings are for customer approval only, drawings are not to be used as any installation guide, all dimensions must be verified before installation.

| | | | | | |
|--------------------------------|--|------------------------------------|------------------|---|--|
| Customer: McDONALD'S | Date: 05/28/15 | Prepared By: ISU/PKE/PKE | Eng: X | <p><small>Note: Color output may not be exact when viewing or printing this drawing. All colors used are PMS or the closest CMYK equivalent. If these colors are incorrect, please provide the correct PMS match and a revision to this drawing will be made.</small></p> | <p><small>DISTRIBUTED BY SIGN UP COMPANY 700 21st Street Southwest PO Box 210 Watertown, SD 57201-0210 1.800.843.9888 • www.personasigns.com</small></p> |
| Location: MESA, AZ | File Name: 123431 - R7 - 1948 E MCKELLIPS, MESA, AZ - PROGRAM BOOK | | | | <p>persóna SIGNS LIGHTING IMAGE</p> |



FRAME & LAMP DETAIL
SCALE: 3/4" = 1'-0"



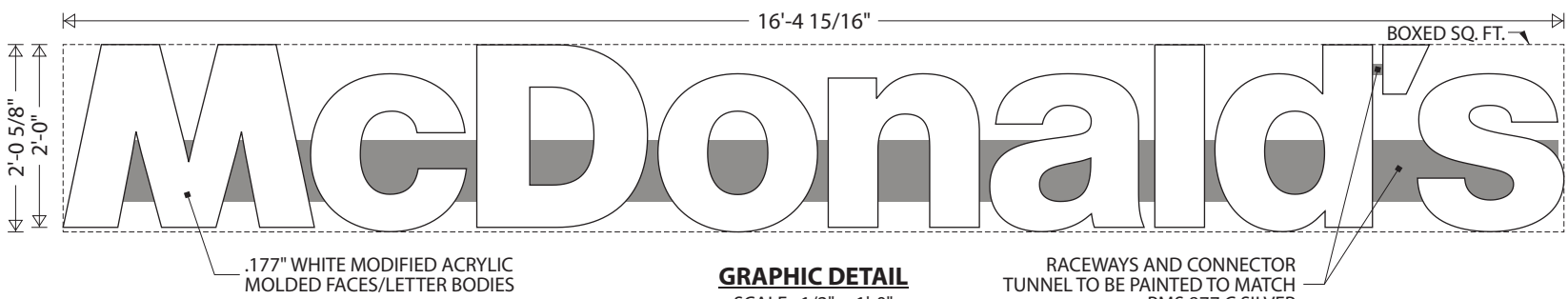
CROSS SECTION A-A
SCALE: 3/4" = 1'-0"



GRAPHIC DETAIL
SCALE: 3/4" = 1'-0"

FRAME DETAIL:

DESIGN FACTOR: TBD
 .177" FORMED YELLOW PIGMENTED (PMS 123 C) MODIFIED ACRYLIC FACE/LETTER BODY
 EXTERIOR FINISH: PAINTED MCDONALD'S SILVER (OPAQUE)
 INTERIOR FINISH: PAINTED STARBRIGHT WHITE (OPAQUE)
 .118" POLYCARBONATE INSERT PAINTED STAR-BRIGHTWHITE
 .040" ALUMINUM BACK
 LETTER BODY REMOVABLE FOR SERVICE ACCESS
 U.L. APPROVED
 ELECTRICAL: 0.85 AMPS, 120 VOLTS
 SQUARE FOOTAGE:
 BOXED = 14.00
 ACTUAL = 4.90

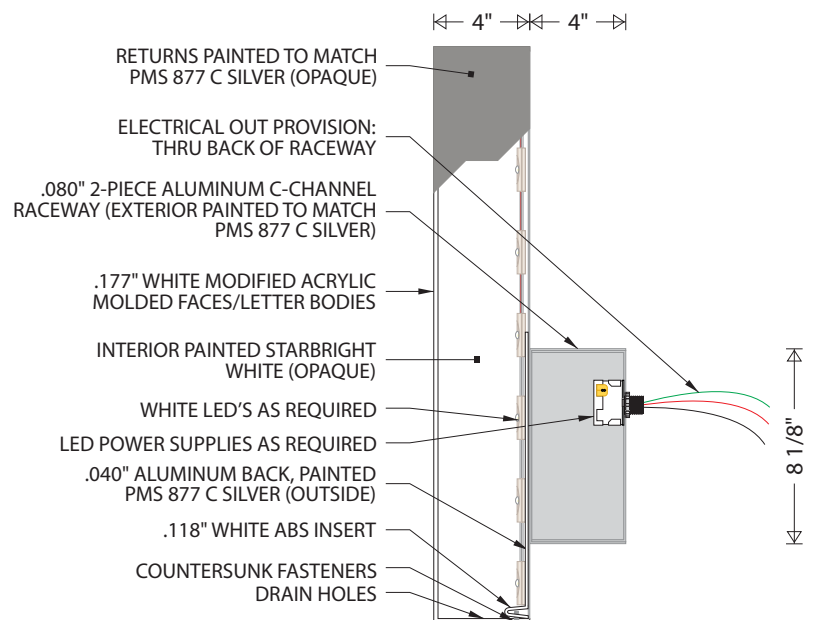


GRAPHIC DETAIL
SCALE: 1/2" = 1'-0"

RACEWAYS AND CONNECTOR TUNNEL TO BE PAINTED TO MATCH PMS 877 C SILVER

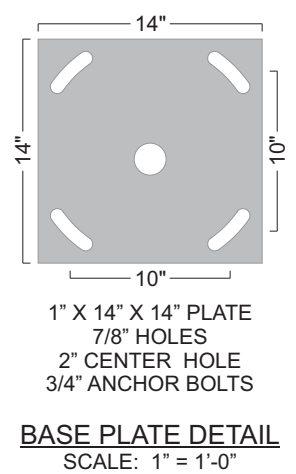
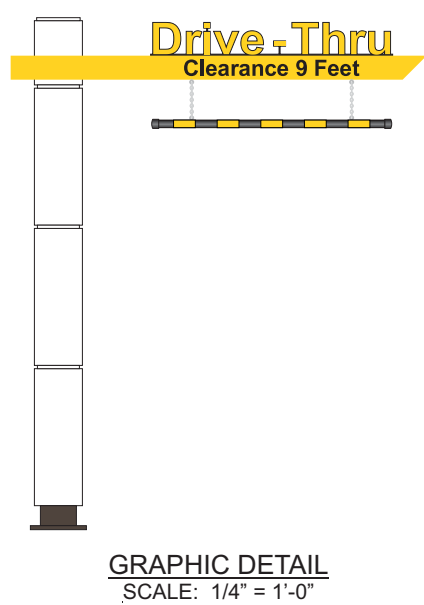
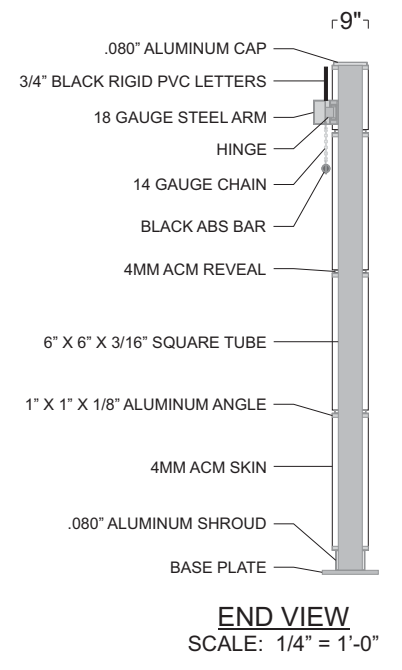
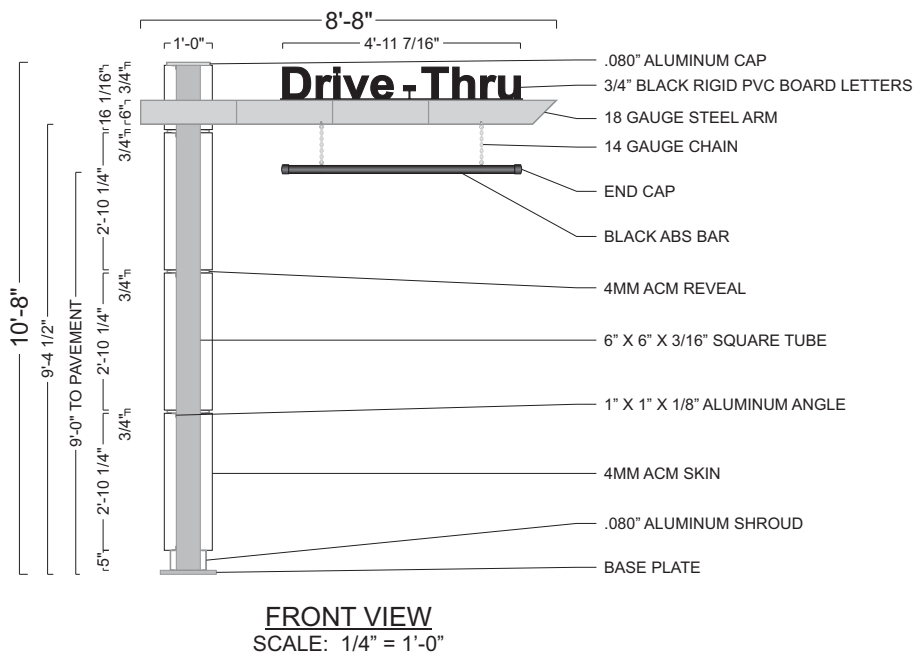
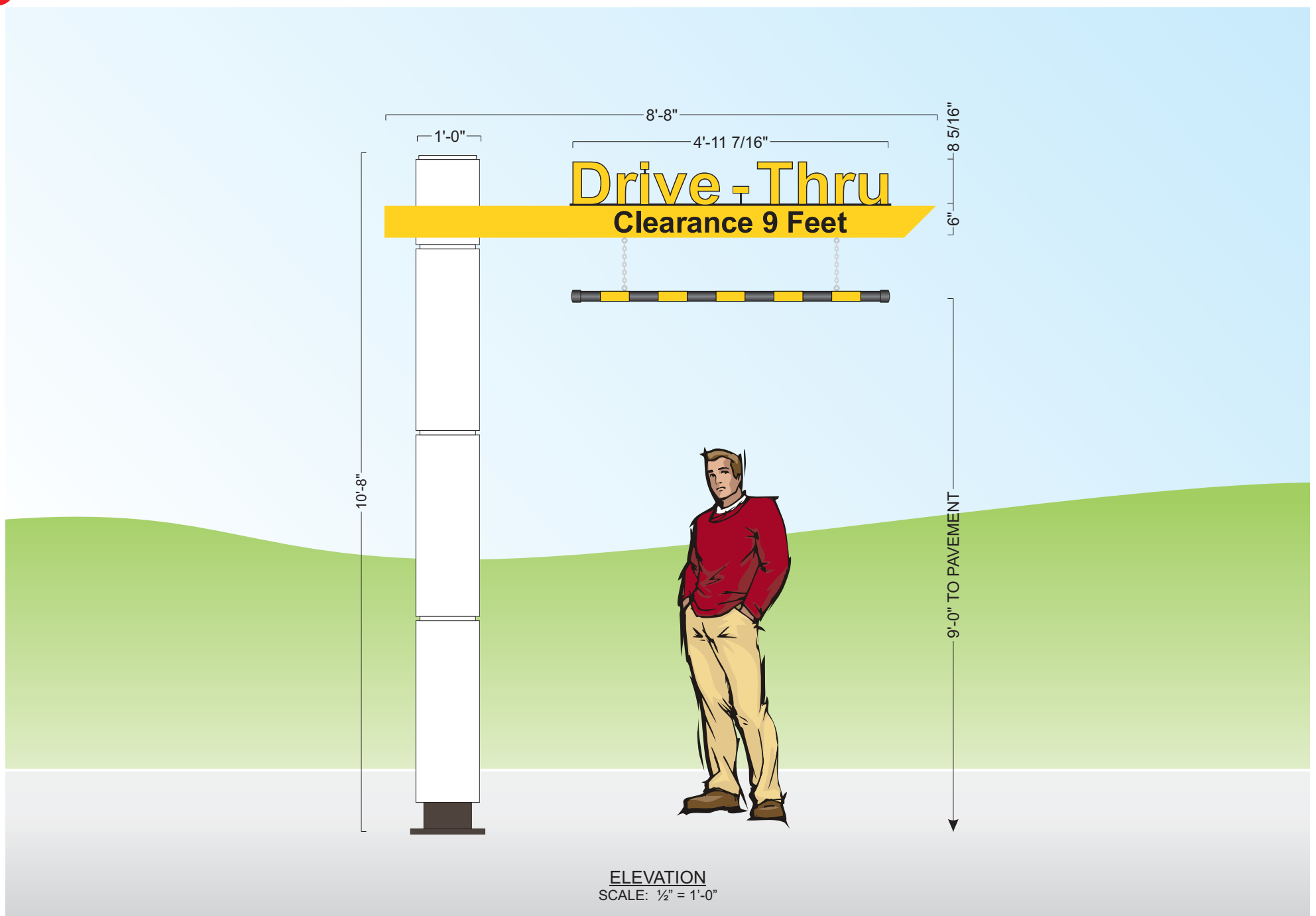
NOTES:

.177" MOLDED WHITE MODIFIED ACRYLIC LETTER BODIES, INSTALLED ON ALUMINUM BACKS.
 .118" WHITE ABS INSERTS.
 EXTERIOR FINISH: MATCH PMS 877 C SILVER (OPAQUE); BACKS PAINTED PMS 877 C SILVER
 INTERIOR FINISH: STAR-BRIGHT WHITE (OPAQUE).
 LETTER BODIES REMOVABLE FOR SERVICE ACCESS.
 ACCESS PANEL BEHIND LETTER "n" FOR RACEWAY ACCESS.
 U.L. APPROVED.
 ELECTRICAL: 2.50 AMPS, 120 VOLTS.
 SQUARE FOOTAGE:
 BOXED = 33.38
 ACTUAL = 19.53



LETTER PROFILE
SCALE: 1 1/2" = 1'-0"

NOTE: Elevation drawings are for customer approval only, drawings are not to be used as any installation guide, all dimensions must be verified before installation.



POLE COVER DETAIL
DESIGN FACTOR: TBD
4MM WHITE ACM POLE COVER
.080" ALUMINUM CAP AND SHROUD
EXTERIOR FINISH:
POLE COVER & REVEALS - PRE-FINISHED BONE WHITE
SHROUD AND BASE PLATE - MATCH B.M. 2130-20 DEEP CAVIAR

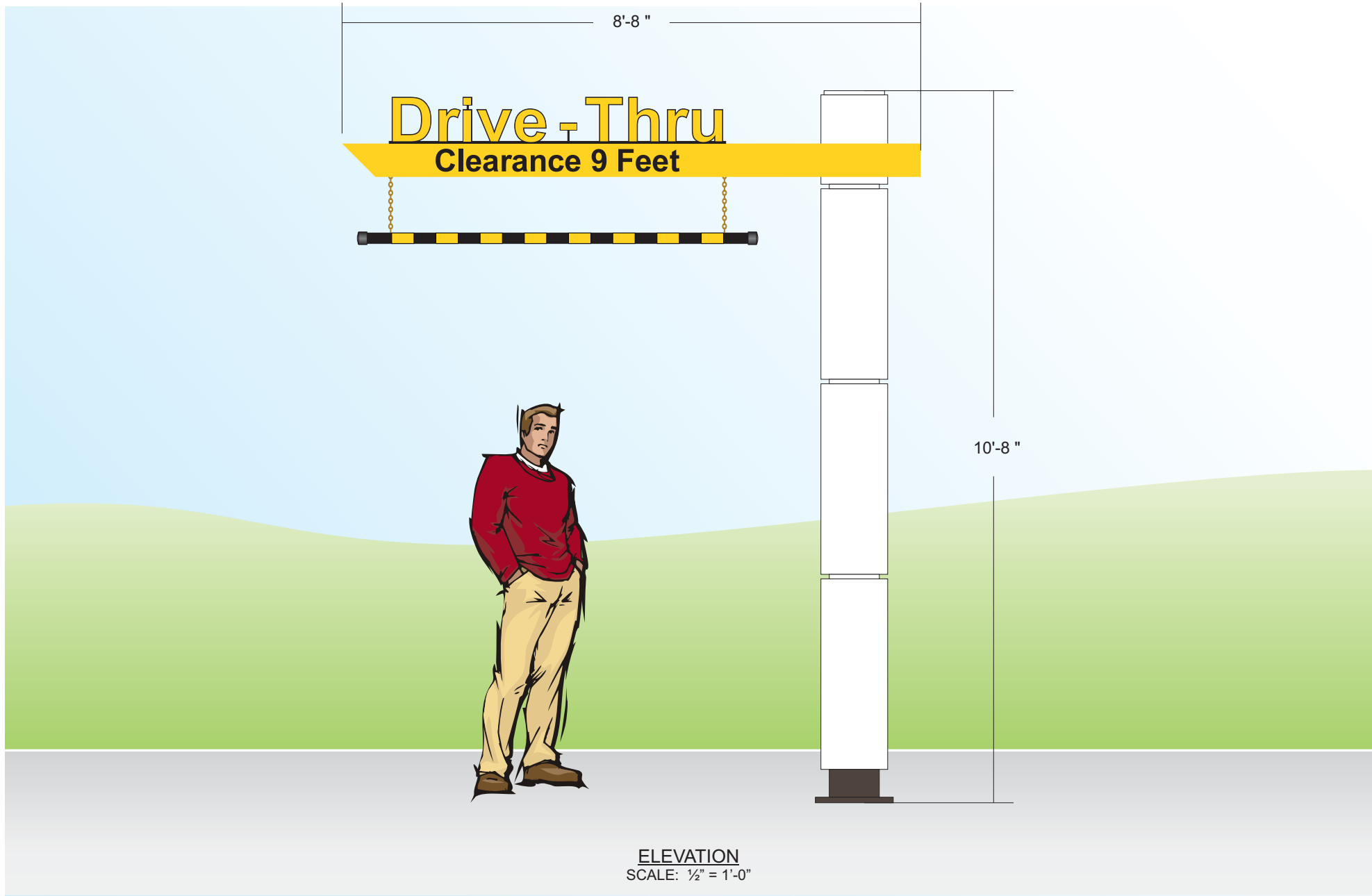
CLEARANCE BAR DETAIL
BLACK ACM PIPE W/ 7725-15 YELLOW VINYL STRIPES APPLIED TO 1ST SURFACE

SQUARE FEET: BOXED = 92.44
ACTUAL = 15.68

SWING ARM DETAIL
DESIGN FACTOR: TBD
18 GAUGE STEEL ARM WITH HINGE W/ 1ST SURFACE PAINT AND VINYL
DECORATION:
MATCH PMS 109 C YELLOW - SWING ARM
7725-12 BLACK VINYL - "CLEARANCE 9 FEET" COPY

"DRIVE-THRU" LETTER DETAIL
3/4" BLACK RIGID PVC BOARD ROUTED LETTERS W/ 1ST SURFACE VINYL
DECORATION:
7725-15 BRIGHT YELLOW - "DRIVE-THRU" COPY
BLACK - COPY OUTLINE

NOTE: Elevation drawings are for customer approval only, drawings are not to be used as any installation guide, all dimensions must be verified before installation.



NOTE: Elevation drawings are for customer approval only, drawings are not to be used as any installation guide, all dimensions must be verified before installation.

Customer:
McDONALD'S

Location:
MESA, AZ

Date:
01/17/14

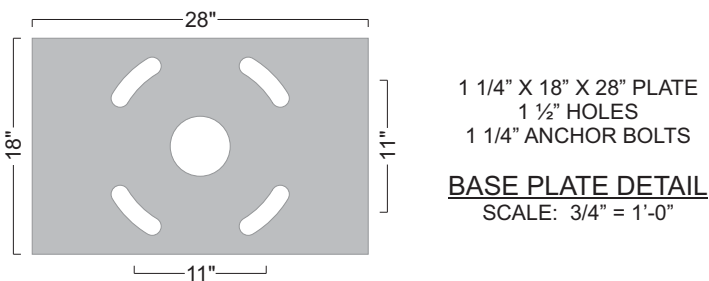
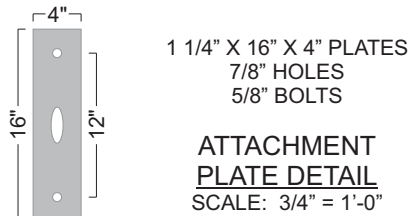
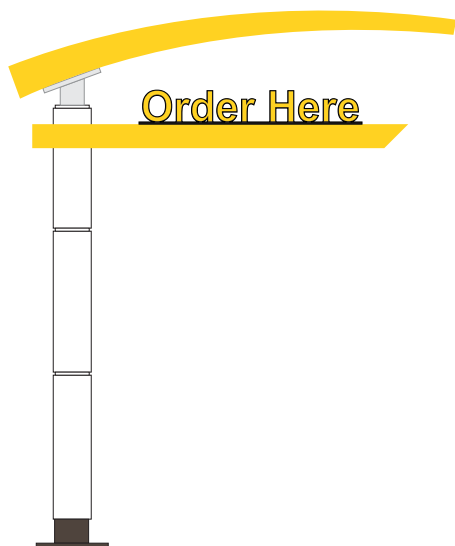
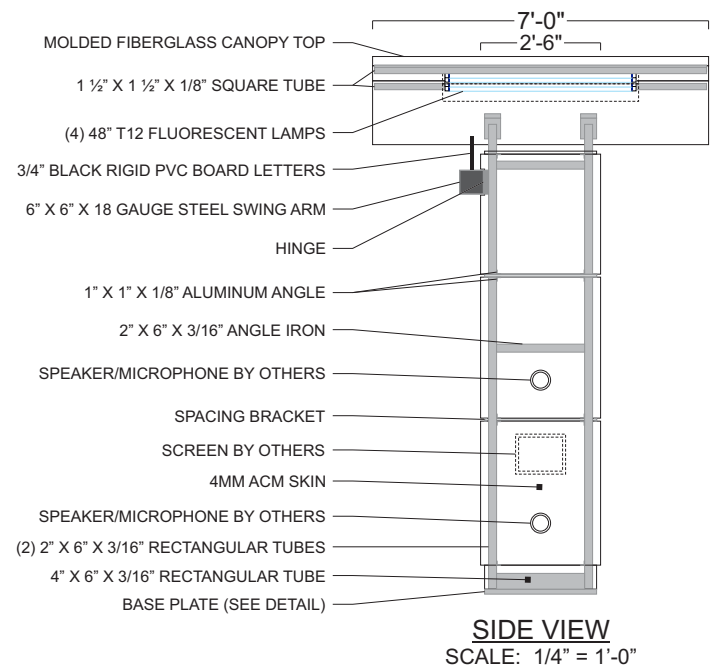
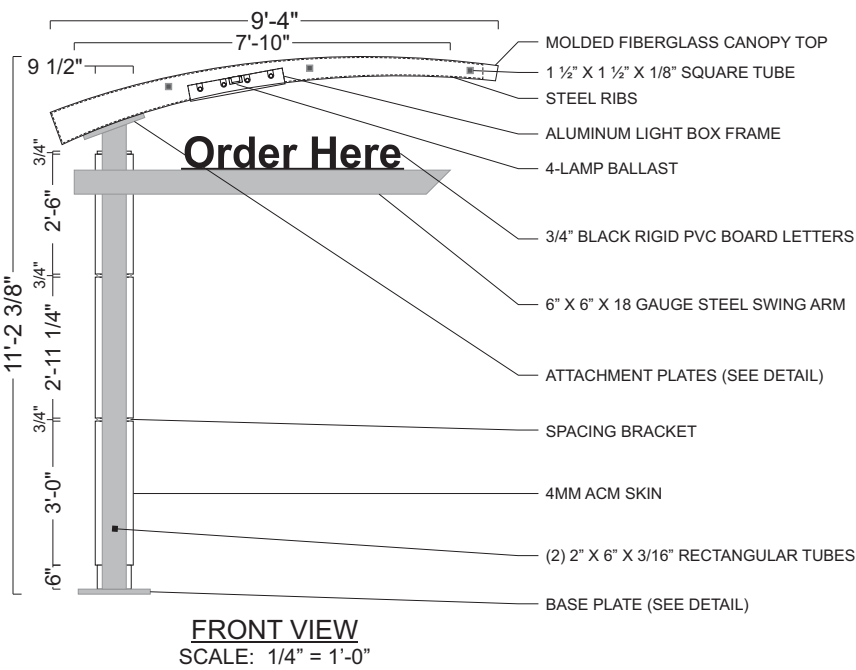
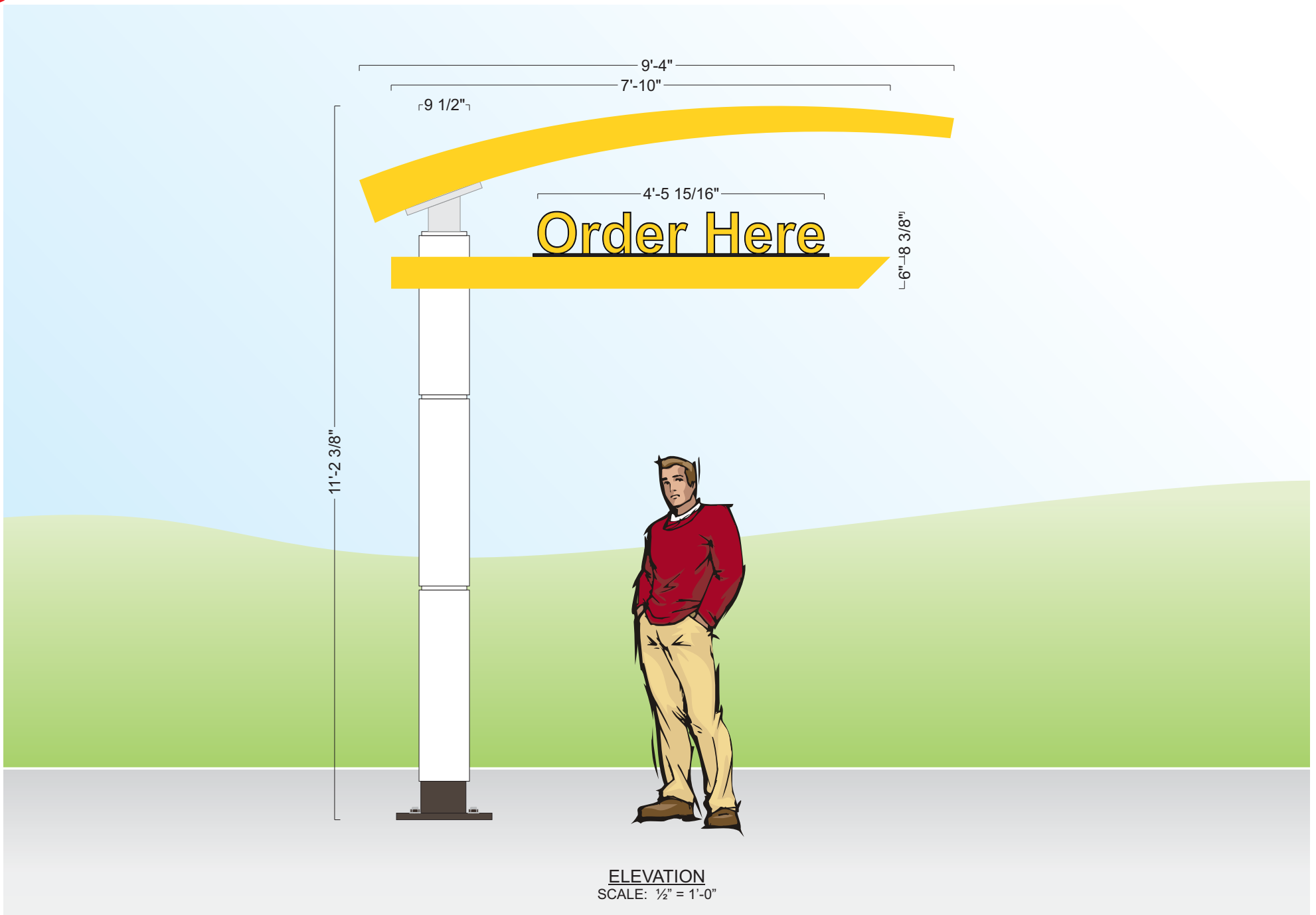
File Name:
123431 - R7 - 1948 E MCKELLIPS, MESA, AZ - PROGRAM BOOK -

Prepared By:
ISU

Note: Color output may not be exact when viewing or printing this drawing. All colors used are PMS or the closest CMYK equivalent. If these colors are incorrect, please provide the correct PMS match and a revision to this drawing will be made.

persona
SIGNS | LIGHTING | IMAGE

DISTRIBUTED BY SIGN UP COMPANY
700 21st Street Southwest
PO Box 210
Watertown, SD 57201-0210
1.800.843.9888 • www.personasigns.com



SQUARE FOOTAGE: ACTUAL = 17.10
BOXED = 104.51

FIBERGLASS CANOPY DETAIL
DESIGN FACTOR: TBD
FIBERGLASS CANOPY WITH STEEL TUBE AND RIB INTERNAL STRUCTURE
EXTERIOR FINISH: PAINT TO MATCH PMS 109 C YELLOW
LIGHT LENS REMOVABLE FOR SERVICE
U.L. APPROVED
ELECTRICAL: 1.90 AMPS, 120 VOLTS

BASE DETAIL
DESIGN FACTOR: 90 MPH
ALUMINUM ANGLE IRON STRUCTURE
4MM ACM SKIN
EXTERIOR FINISH:
SWING ARM - PAINT TO MATCH PMS 109 C YELLOW
BASE - BONE WHITE
SHROUD & POLE - DEEP CAVIAR
U.L. APPROVED

"ORDER HERE" LETTER DETAIL
3/4" BLACK RIGID PVC BOARD LETTERS W/ 1ST SURFACE VINYL DECORATION;
7725-15 BRIGHT YELLOW - "ORDER HERE" COPY
BLACK - COPY OUTLINE

NOTE: Elevation drawings are for customer approval only, drawings are not to be used as any installation guide, all dimensions must be verified before installation.